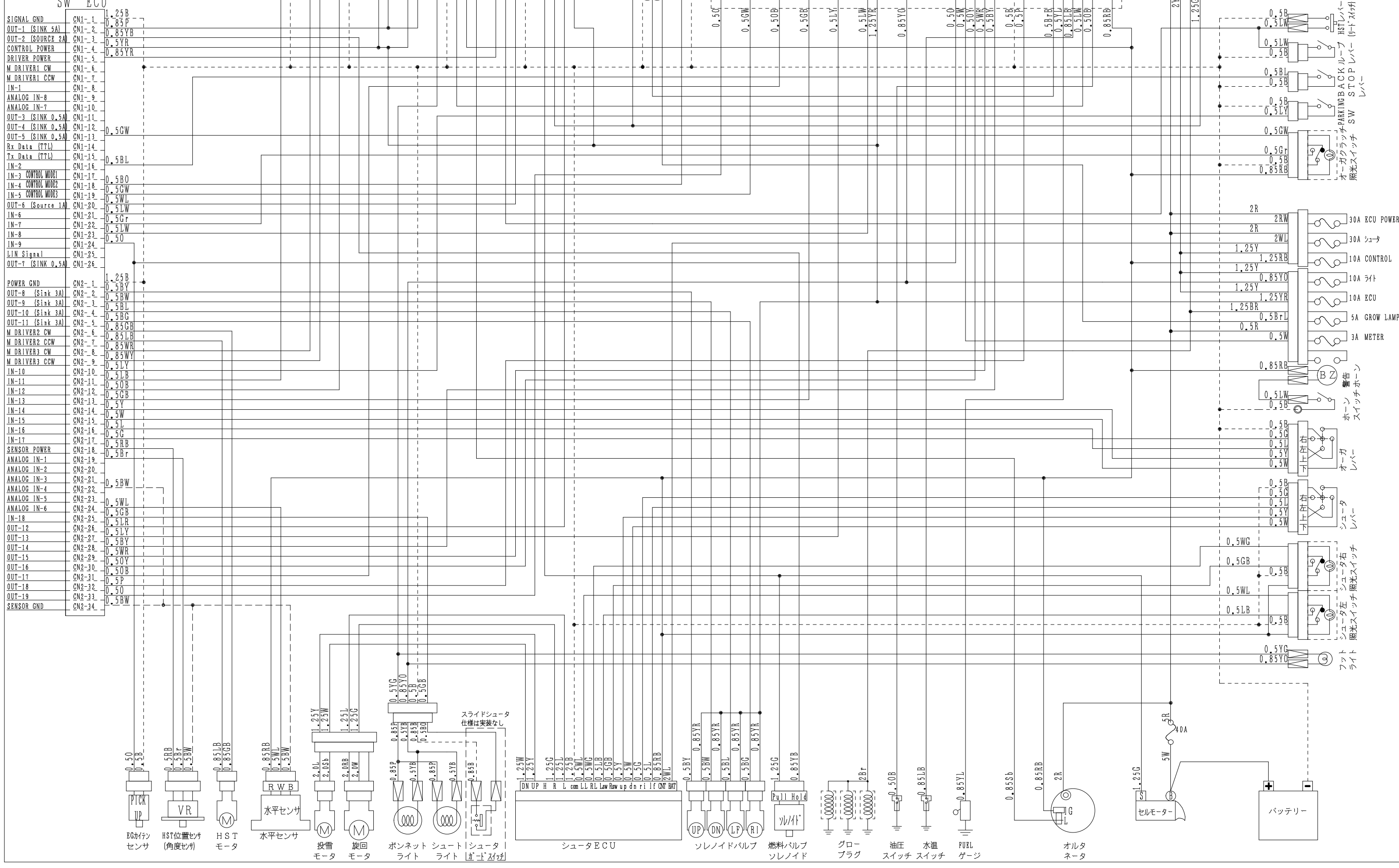
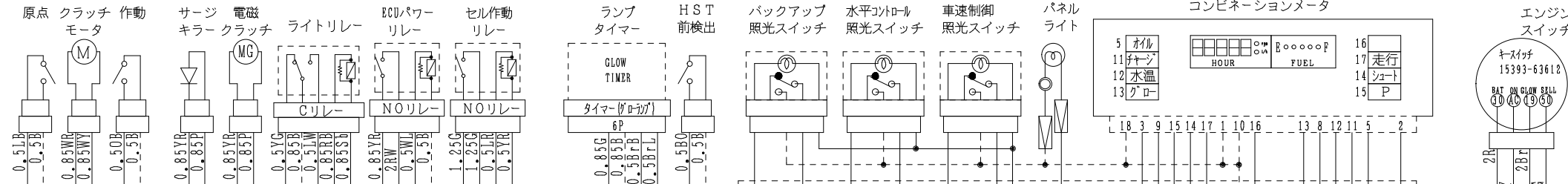
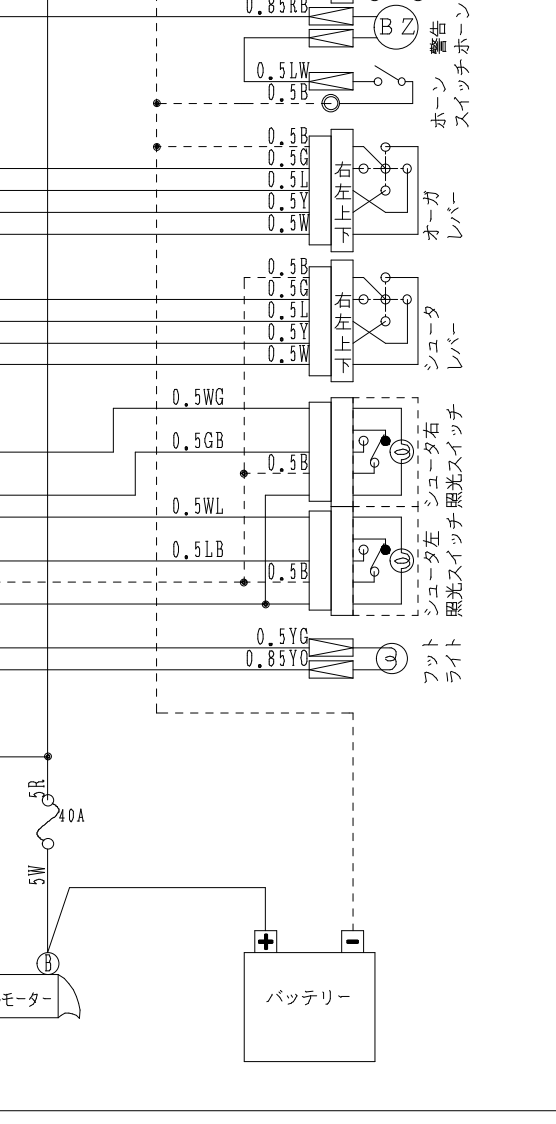
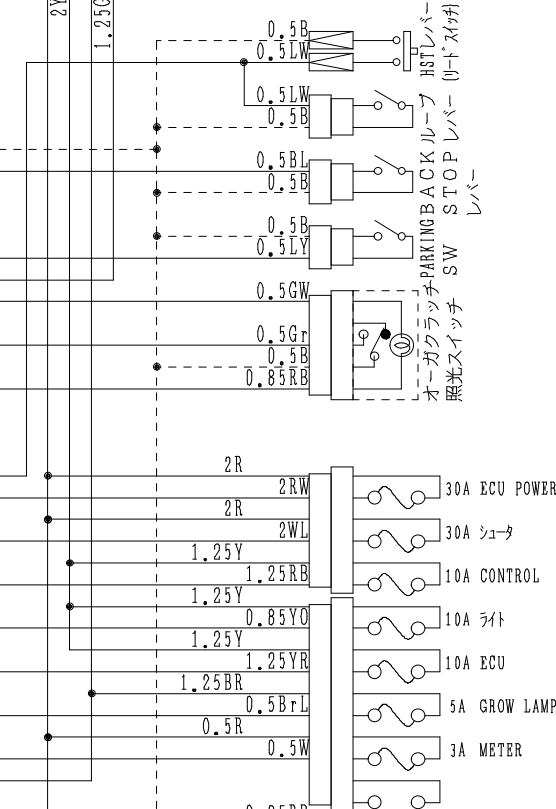


SW 3512A  
(新型コンビメータ)  
適用号機 14\*\*\*\*~



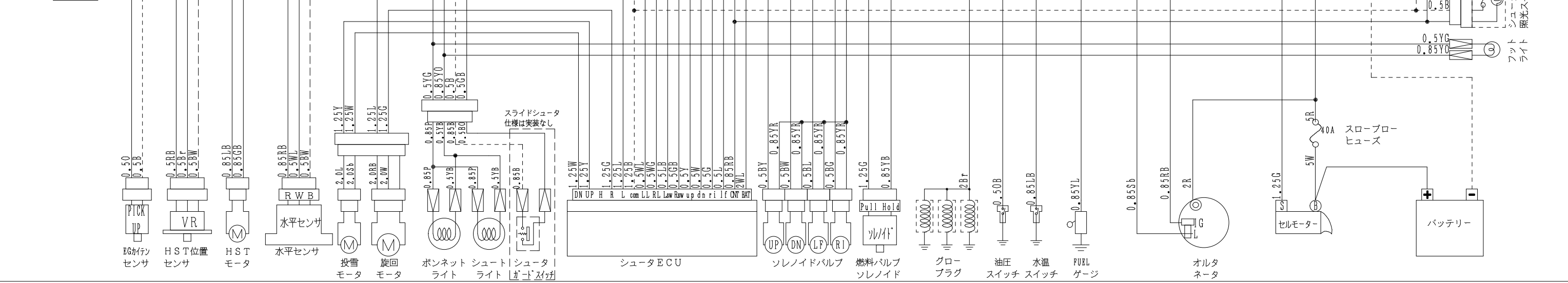
| SW ECU | Terminal | Label              |
|--------|----------|--------------------|
| 1      | CN1-1    | SIGNAL GND         |
| 2      | CN1-2    | OUT-1 (SINK 5A)    |
| 3      | CN1-3    | OUT-2 (SOURCE 2A)  |
| 4      | CN1-4    | CONTROL POWER      |
| 5      | CN1-5    | DRIVER POWER       |
| 6      | CN1-6    | M DRIVER1 CW       |
| 7      | CN1-7    | M DRIVER1 CCW      |
| 8      | CN1-8    | IN-1               |
| 9      | CN1-9    | ANALOG IN-8        |
| 10     | CN1-10   | ANALOG IN-7        |
| 11     | CN1-11   | OUT-3 (SINK 0.5A)  |
| 12     | CN1-12   | OUT-4 (SINK 0.5A)  |
| 13     | CN1-13   | OUT-5 (SINK 0.5A)  |
| 14     | CN1-14   | Rx Data (TTL)      |
| 15     | CN1-15   | Tx Data (TTL)      |
| 16     | CN1-16   | IN-2               |
| 17     | CN1-17   | IN-3 CONTROL MODE1 |
| 18     | CN1-18   | IN-4 CONTROL MODE2 |
| 19     | CN1-19   | IN-5 CONTROL MODE3 |
| 20     | CN1-20   | OUT-6 (Source 1A)  |
| 21     | CN1-21   | IN-6               |
| 22     | CN1-22   | IN-7               |
| 23     | CN1-23   | IN-8               |
| 24     | CN1-24   | IN-9               |
| 25     | CN1-25   | LIN Signal         |
| 26     | CN1-26   | OUT-7 (SINK 0.5A)  |
| 27     | CN2-1    | POWER GND          |
| 28     | CN2-2    | OUT-8 (Sink 3A)    |
| 29     | CN2-3    | OUT-9 (Sink 3A)    |
| 30     | CN2-4    | OUT-10 (Sink 3A)   |
| 31     | CN2-5    | OUT-11 (Sink 3A)   |
| 32     | CN2-6    | M DRIVER2 CW       |
| 33     | CN2-7    | M DRIVER2 CCW      |
| 34     | CN2-8    | M DRIVER3 CW       |
| 35     | CN2-9    | M DRIVER3 CCW      |
| 36     | CN2-10   | IN-10              |
| 37     | CN2-11   | IN-11              |
| 38     | CN2-12   | IN-12              |
| 39     | CN2-13   | IN-13              |
| 40     | CN2-14   | IN-14              |
| 41     | CN2-15   | IN-15              |
| 42     | CN2-16   | IN-16              |
| 43     | CN2-17   | IN-17              |
| 44     | CN2-18   | SENSOR POWER       |
| 45     | CN2-19   | ANALOG IN-1        |
| 46     | CN2-20   | ANALOG IN-2        |
| 47     | CN2-21   | ANALOG IN-3        |
| 48     | CN2-22   | ANALOG IN-4        |
| 49     | CN2-23   | ANALOG IN-5        |
| 50     | CN2-24   | ANALOG IN-6        |
| 51     | CN2-25   | IN-18              |
| 52     | CN2-26   | OUT-12             |
| 53     | CN2-27   | OUT-13             |
| 54     | CN2-28   | OUT-14             |
| 55     | CN2-29   | OUT-15             |
| 56     | CN2-30   | OUT-16             |
| 57     | CN2-31   | OUT-17             |
| 58     | CN2-32   | OUT-18             |
| 59     | CN2-33   | OUT-19             |
| 60     | CN2-34   | SENSOR GND         |



SW3512A  
 適用号機 08\*\*\*\*~  
 13\*\*\*\*まで

SW ECU

|                    |        |        |
|--------------------|--------|--------|
| SIGNAL GND         | CN1-1  | 1.25B  |
| OUT-1 (SINK 5A)    | CN1-2  | 0.85YP |
| OUT-2 (SOURCE 2A)  | CN1-3  | 0.85YB |
| CONTROL POWER      | CN1-4  | 0.5YR  |
| DRIVER POWER       | CN1-5  | 0.85YR |
| M DRIVER1 CW       | CN1-6  |        |
| M DRIVER1 CCW      | CN1-7  |        |
| IN-1               | CN1-8  |        |
| ANALOG IN-8        | CN1-9  |        |
| ANALOG IN-7        | CN1-10 |        |
| OUT-3 (SINK 0.5A)  | CN1-11 |        |
| OUT-4 (SINK 0.5A)  | CN1-12 | 0.5GW  |
| OUT-5 (SINK 0.5A)  | CN1-13 |        |
| Rx Data (TTL)      | CN1-14 |        |
| Tx Data (TTL)      | CN1-15 | 0.5BL  |
| IN-2               | CN1-16 |        |
| IN-3 CONTROL MODE1 | CN1-17 | 0.5BO  |
| IN-4 CONTROL MODE2 | CN1-18 | 0.5GW  |
| IN-5 CONTROL MODE3 | CN1-19 | 0.5WL  |
| OUT-6 (Source 1A)  | CN1-20 | 0.5LW  |
| IN-6               | CN1-21 | 0.5Gr  |
| IN-7               | CN1-22 | 0.5LW  |
| IN-8               | CN1-23 | 0.5O   |
| IN-9               | CN1-24 |        |
| LIN Signal         | CN1-25 |        |
| OUT-7 (SINK 0.5A)  | CN1-26 |        |
| POWER GND          | CN2-1  | 1.25B  |
| OUT-8 (Sink 3A)    | CN2-2  | 0.5BY  |
| OUT-9 (Sink 3A)    | CN2-3  | 0.5BW  |
| OUT-10 (Sink 3A)   | CN2-4  | 0.5BL  |
| OUT-11 (Sink 3A)   | CN2-5  | 0.5BC  |
| M DRIVER2 CW       | CN2-6  | 0.85GB |
| M DRIVER2 CCW      | CN2-7  | 0.85LB |
| M DRIVER3 CW       | CN2-8  | 0.85WR |
| M DRIVER3 CCW      | CN2-9  | 0.85WY |
| IN-10              | CN2-10 | 0.5LY  |
| IN-11              | CN2-11 | 0.5LB  |
| IN-12              | CN2-12 | 0.5OB  |
| IN-13              | CN2-13 | 0.5GB  |
| IN-14              | CN2-14 | 0.5Y   |
| IN-15              | CN2-15 | 0.5L   |
| IN-16              | CN2-16 | 0.5G   |
| IN-17              | CN2-17 | 0.5RB  |
| SENSOR POWER       | CN2-18 | 0.5Br  |
| ANALOG IN-1        | CN2-19 |        |
| ANALOG IN-2        | CN2-20 |        |
| ANALOG IN-3        | CN2-21 | 0.5BW  |
| ANALOG IN-4        | CN2-22 |        |
| ANALOG IN-5        | CN2-23 | 0.5WL  |
| ANALOG IN-6        | CN2-24 | 0.5GB  |
| IN-18              | CN2-25 | 0.5LR  |
| OUT-12             | CN2-26 | 0.5LY  |
| OUT-13             | CN2-27 | 0.5BY  |
| OUT-14             | CN2-28 | 0.5WR  |
| OUT-15             | CN2-29 | 0.5OY  |
| OUT-16             | CN2-30 | 0.5LB  |
| OUT-17             | CN2-31 | 0.5P   |
| OUT-18             | CN2-32 | 0.5O   |
| OUT-19             | CN2-33 | 0.5BW  |
| SENSOR GND         | CN2-34 |        |



EGケイテン センサ, HST位置 センサ, HST モータ, 水平センサ, 投雪 モータ, 旋回 モータ, ボンネット ライト, シュータ ライト, シュータ, シュータ右, シュータ左, フット ライト, シュータ ECU, ソレノイドバルブ, 燃料バルブ ソレノイド, グロー プラグ, 油圧 スイッチ, 水温 スイッチ, PURL ゲージ, オルタ ネータ, スローブロー ヒューズ, バッテリー, キースイッチ, パネル ライト, コンビネーションメータ, エンジン スイッチ, オーガクラッチ 照光スイッチ, バックストップ レバー, ハーキング レバー, ルーフ レバー, HST レバー.