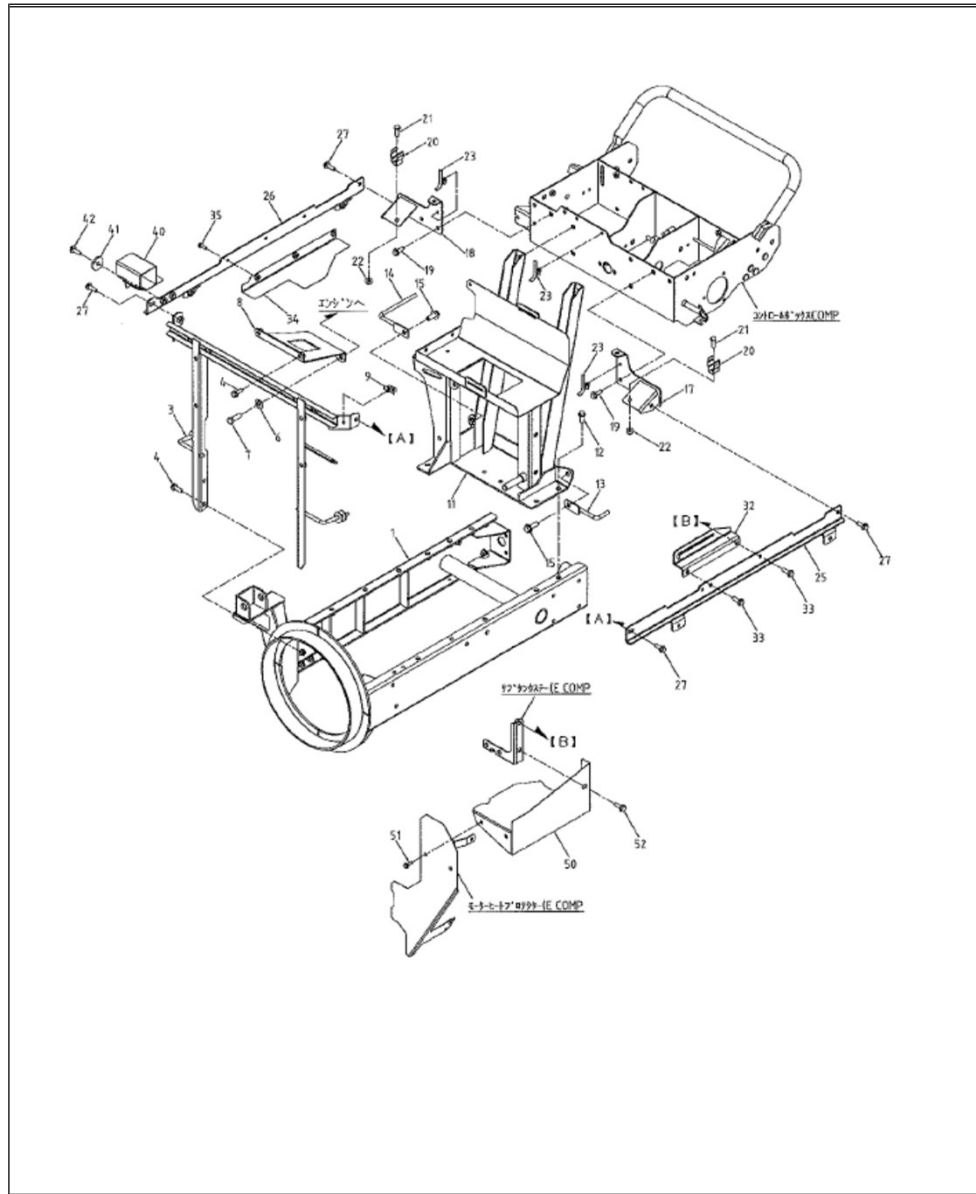
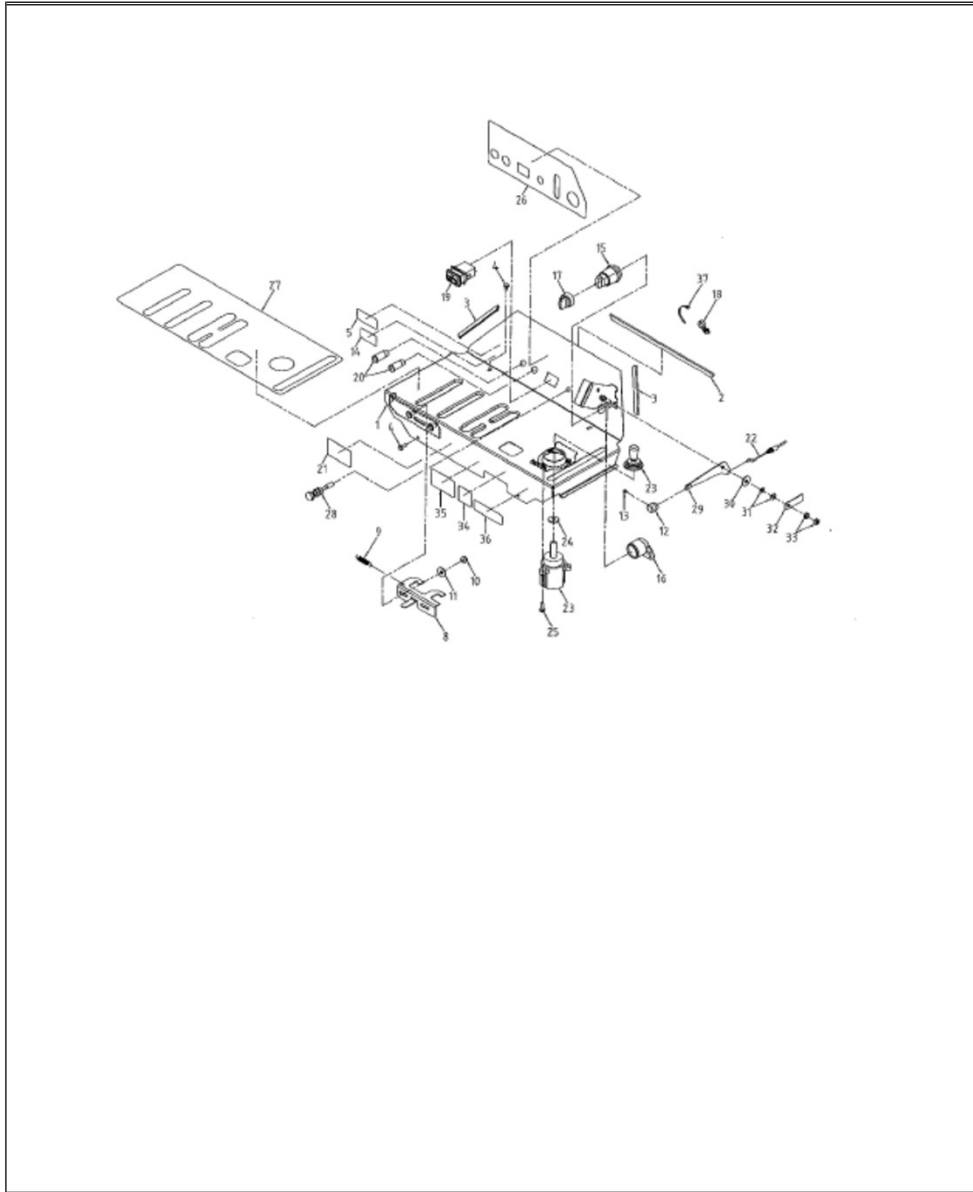


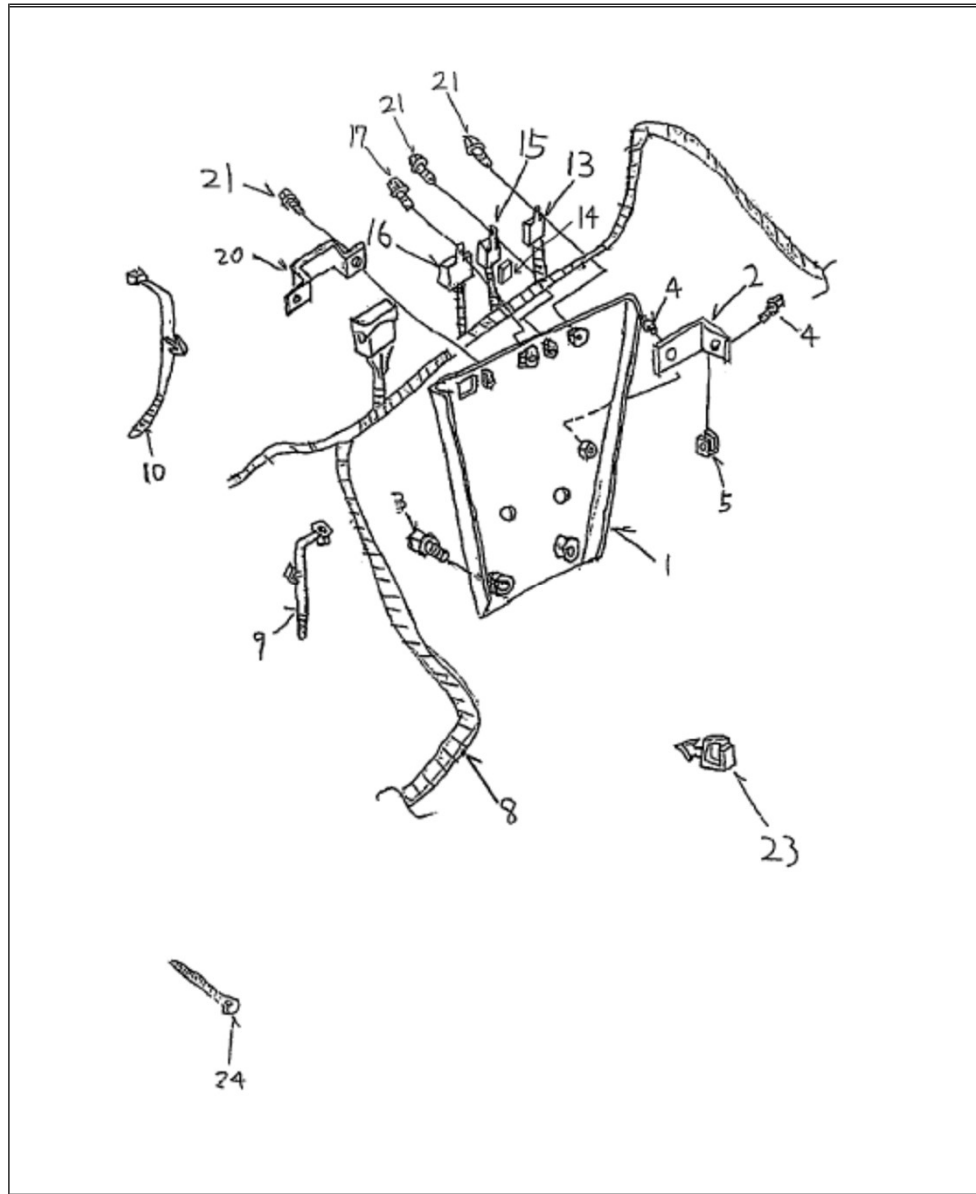
No.	Parts No.	Name	Quantity	Note	Recommend Rank
1	34903-B50-700	CASE, AUGER GEAR	1		C
2	32903-A90-002	SHAFT, AUGER INPUT	1		C
3	97113-038241	KEY, 6×6×38RR	1		C
4	31904-A31-701	COVER A, AUGER GEAR CASE	1		C
5	39901-A31-002	PACKING A, AUGER GEAR CASE	1		C
6	98251-2503807	SEAL, OIL D25387	1		B
7	96100-06004	BEARING, 6004	1		B
8	34902-B27-000	COLLAR, THRUST	1		C
9	96200-051204	BEARING, THRUST 51204	1		B
10	73251-V15-F002	GEAR, DRIVE	1		C
11	91912-A05-001	WASHER, RD 20×30×2	1		C
12	96100-06004	BEARING, 6004	1		B
13	94510-20080	CIRCLIP, EX 20	1		B
14	93100-0802017	BOLT, FLANGE 8×20	3		C
15	-				
16	34901-B08-001	SHAFT, AUGER	1		C
17	97116-048241	KEY, 10×8×48RR	2		C
18	97115-028241	KEY, 8×7×28RR	2		C
19	32902-A90-000	WORM WHEEL, M3×20	1		B
20	91302-A31-000	WASHER, RD 30×42×2	2		C
21	96100-06006	BEARING, 6006	2		B
22	98251-3004508	SEAL, OIL D30458	2		B
23	39902-A31-002	PACKING B, AUGER GEAR CASE	1		C
24	31905-A31-700	COVER B, AUGER GEAR CASE	1		C
25	93100-0802517	BOLT, FLANGE 8×25	3		C
26	91555-0141	PLUG, PT1/8	1		A
27	91941-050	TAPE, SEAL 50	1		
28	91555-0641	PLUG, PT3/4	1		A
29	91941-150	TAPE, SEAL 150	1		
30	91931-090	OIL, GEAR #90	0.2	ℓ	
31	-				
32	-				
33	-				
35	-				
36	35500-B28-802F2	FLANGE COMP, AUGER SHARE	1		A
37	94003-08412	NUT, 8	1		B
38	91221-082540	BOLT, SPECIAL 8×25	1		B
39	35500-B28-802F2	FLANGE COMP, AUGER SHARE	1		A
40	94003-08412	NUT, 8	1		B
41	91221-082540	BOLT, SPECIAL 8×25	1		B
42	-				
-	-				
-	-				
-	-				
-	-				



No.	Parts No.	Name	Quantity	Note	Recommend Rank
1	41100-B88-806	FRAME COMP, MAIN	1		
2	-				
3	41200-B88-803	FRAME COMP, FRONT	1		
4	93100-0801617	BOLT, FLANGE 8×16	6		
5	-				
6	94111-12012	WASHER, SPG 12	2		
7	41901-B88-001	BOLT 7/16-14UNC×25.4	2		
8	41500-B88-801	STAY COMP, FRONT	1		
9	91315-A3455	CLIP, CABLE A-3455	1		
10	-				
11	41300-B88-805	FRAME COMP, REAR	1		
12	93300-1002017	BOLT, FLANGE 10×1.25×20	5		
13	49500-B88-801	HOOK L COMP, SIDE COVER	1		
14	49800-B88-800	HOOK R COMP, SIDE COVER	1		
15	93300-1002017	BOLT, FLANGE 10×1.25×20	2		
16	-				
17	49300-B88-801	STAY L COMP, SIDE BEAM	1		
18	49400-B88-801	STAY R COMP, SIDE BEAM	1		
19	93100-0801617	BOLT, FLANGE 8×16	4		
20	39902-A65-001	HOLDER, BAR	2		
21	92200-0801617	BOLT, 8×16	2		
22	94002-08410	NUT, FLANGE 8	2		
23	91314-119P7	STRAP, CABLE 1-19P7	3		
24	-				
25	48400-B88-800	BEAM L (E COMP, SIDE	1		
26	48500-B88-800	BEAM R (E COMP, SIDE	1		
27	93100-0802017	BOLT, FLANGE 8×20	4		
28	-				
29	-				
30	-				
31	-				
32	49600-B88-800	BRACKET COMP, BONNET STAY	1		
33	93100-0802017	BOLT, FLANGE 8×20	2		
34	47400-B88-800	COVER (E COMP, PROTECTOR	1		
35	93100-0601217	BOLT, FLANGE 6×12	3		
36	-				
40	02400-B88-000	GUARD (E COMP, MUFFLER	1		
41	94101-08015	WASHER, PLAIN 8	2		
42	93100-0802017	BOLT, FLANGE 8×20	2		
43	-				
50	47300-B88-800	COVER (E COMP, BLOCK	1		
51	93100-0601217	BOLT, FLANGE 6×12	2		
52	93100-0802017	BOLT, FLANGE 8×20	1		
-	-				
-	-				



No.	Parts No.	Name	Quantity	Note	Recommend Rank
1	82500-B88-800	PANEL (E COMP, INDICATOR	1		
2	82902-B88-001	PROTECTOR, RUBBER 366 × 11	1		
3	82902-B51-000	PROTECTOR, RUBBER, 11 × 148	2		
4	93100-0601257	BOLT, FLANGE 6 × 12	4		
5	91193-020	LABEL, DEAD-MAN DANGER	1		
8	73904-B88-001	LEVER, PARKING BRAKE	1		
9	91601-G14-002	SPRING, 10 × 51.5	1		
10	91233-084120	NUT, SPECIAL 8	2		
11	94101-08015	WASHER, PLAIN 8	2		
12	75907-B18-000	KNOB, THROTTLE LEVER	1		
13	75908-B18-001	SCREW, SPECIAL 4 × 8	1		
14	91194-019	LABEL, EXHAUST GAS WARNING	1		
15	83100-B82-000	SWITCH, MAIN	1		A
16	88902-B81-030	COVER, KEY SWITCH	1		
17	88901-B82-000	COVER, KEY	1		B
18	91314-11765	STRAP, CABLE 1-1765	1		
19	84100-B88-000	METER, HOUR B88	1		B
20	89100-B21-000	LAMP, PILOT	2		C
21	79911-B88-000	MARK (E, PARKING BRAKE	1		
22	77300-B88-000	WIRE, THROTTLE	1		A
23	83200-B18-000	SWITCH, CONTROL	1		A
24	83902-B18-000	WASHER, RD 11 × 32 × 4.5	1		
25	93100-0602017	BOLT, FLANGE 6 × 20	3		
26	79908-B88-000	MARK A (E, PANEL	1		
27	79909-B88-000	MARK B (E, PANEL	1		
28	77200-B45-001	WIRE, CHOKE	1		A
29	73905-B88-800	LEVER, THROTTLE	1		
30	94101-08015	WASHER, PLAIN 8	1		
31	91252-082	SPRING, PLATE H8	2		
32	75906-B84-800	PLATE, THRUST	1		
33	91235-08100	NUT, HARD LOCK 8	1		
34	79924-B97-000	MARK, NOISE (109dB)	1		
35	79912-B88-000	MARK, CE (SX2092E	1		
36	91907-001		1		
37	91311-140	BAND, REPEAT RF140	1		
38	-				
39	91382-0502501	CORRUGATE 5 × 250	1		
-	-				
-	-				
-	83110-B82-000	KEY	-		A
-	-				
-	-				
-	-				
-	-				
-	-				



No.	Parts No.	Name	Quantity	Note	Recommend Rank
1	82200-B88-801	BRACKET COMP, RELAY	1		
2	82901-B88-801	STAY, RELAY BRACKET	1		
3	93100-0801617	BOLT, FLANGE 8×16	2		
4	93100-0601217	BOLT, FLANGE 6×12	2		
5	91236-0640707	NUT, U CHIMNEY 40707(6)	1		
6	-				
7	-				
8	85100-B88-001	HARNESS, MAIN	1		C
9	91314-119P7	STRAP, CABLE 1-19P7	4		
10	91314-111W02	STRAP, CABLE 1-1W02	3		
11	-				
12	-				
13	84100-B32-001	RELAY, C	1		A
14	89901-B80-000	SPONGE, 30×30	1		
15	84100-B46-000	RELAY, 1B-1M	1		A
16	84200-B88-000	RELAY, CHUTE	1		B
17	93100-0601617	BOLT, FLANGE 6×16	1		
18	-		1		
19	-				
20	82903-B50-001	BRACKET, FUSE	1		
21	93100-0601217	BOLT, FLANGE 6×12	4		
22	-				
23	91315-C1J77	CLIP, CABLE C-1J77	1		
24	91311-140	BAND, REPEAT RF140	2		
25	-				
26	-				
27	-				
28	-				
29	-				
-	-				
-	-				
-	-				
-	-				
-	-				
-	-				
-	-				
-	-				
-	-				A
-	-				
-	-				
-	-				
-	-				
-	-				

