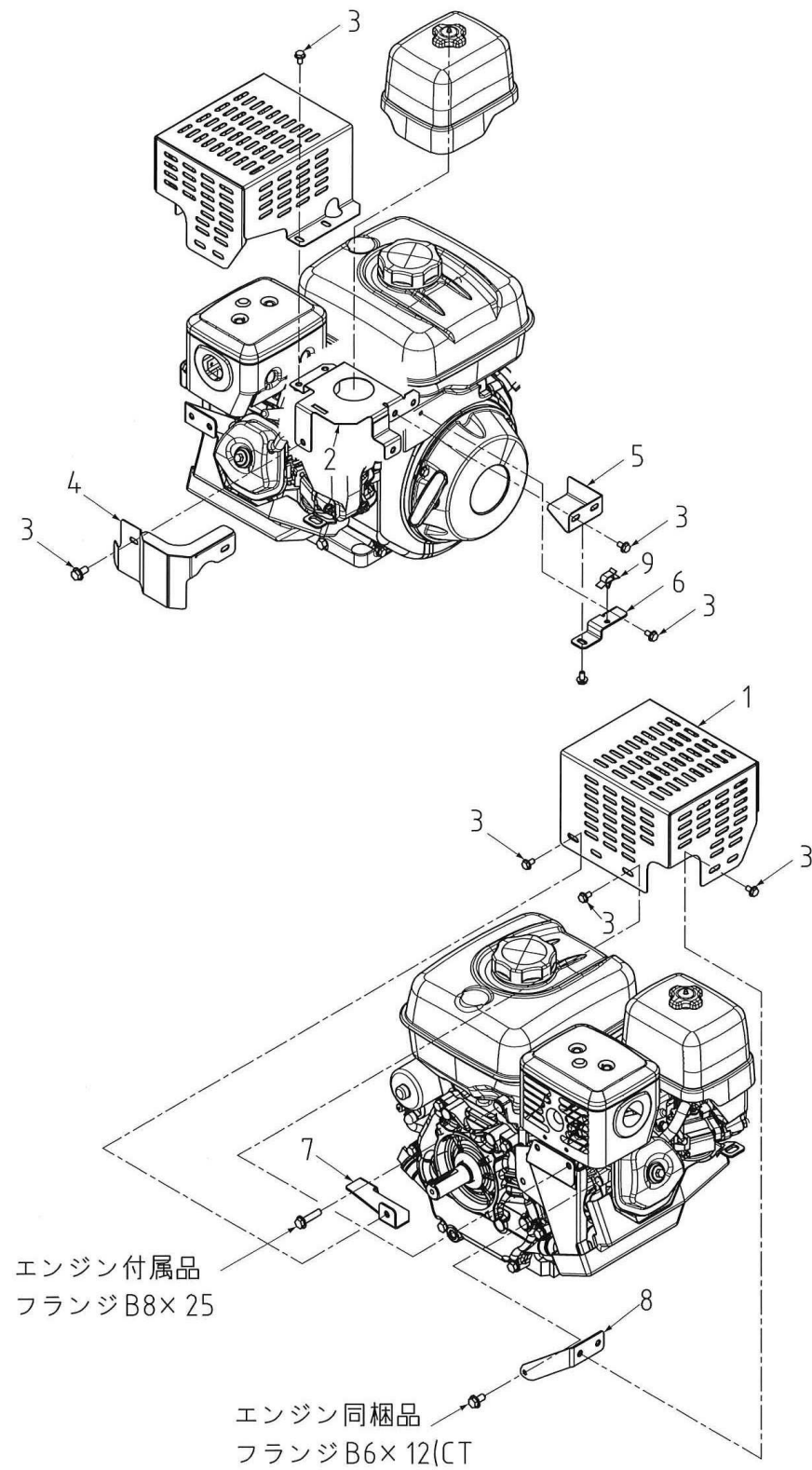
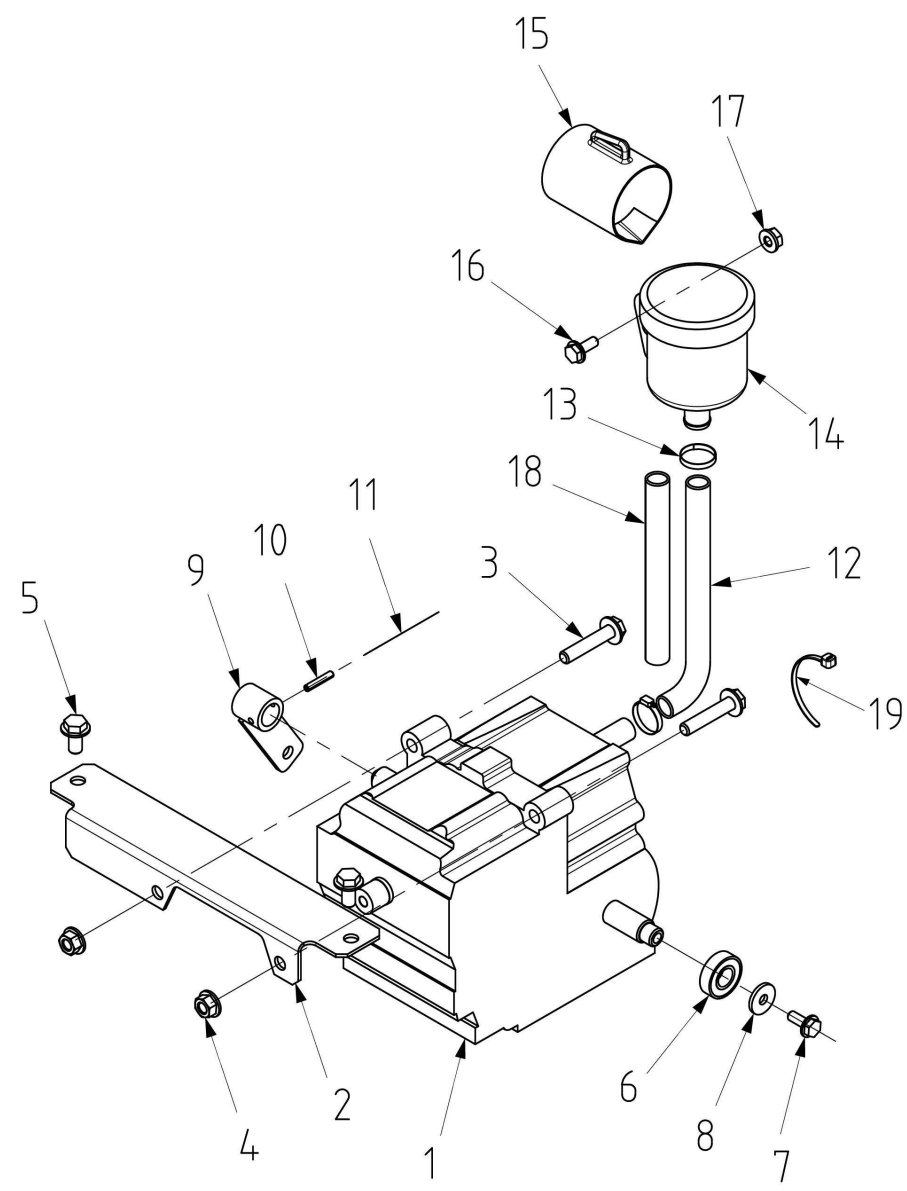


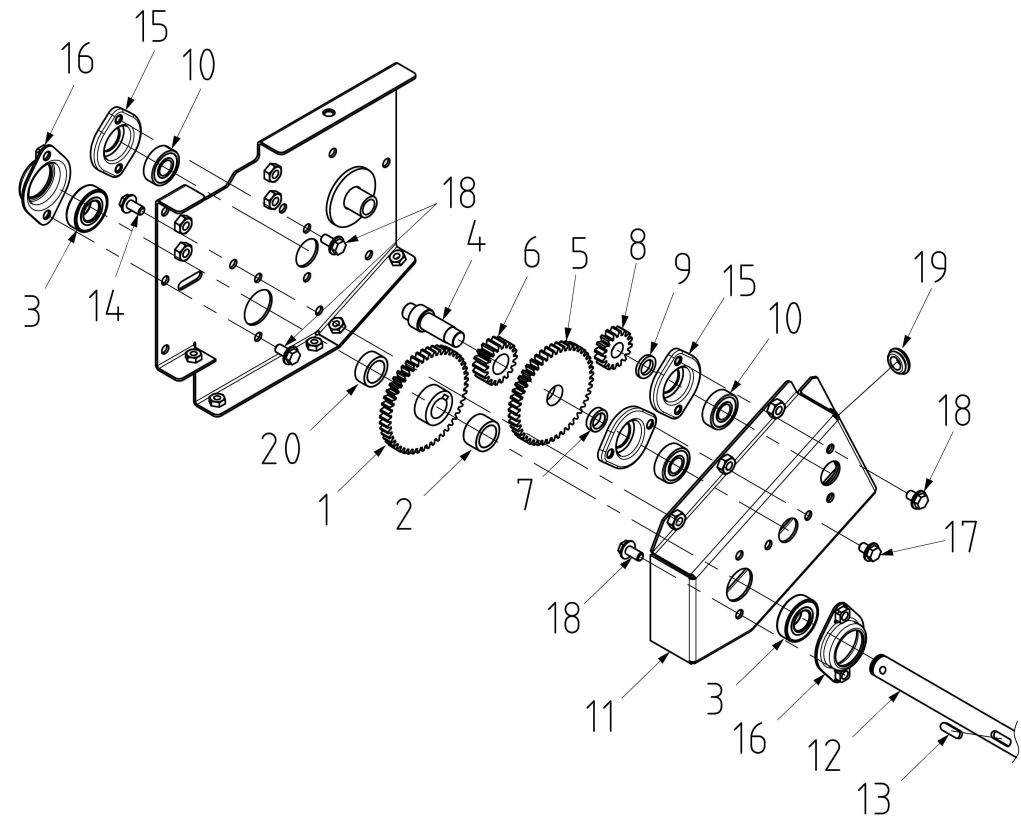
No	Product Number	Product Name	ST	Qty	Rev. Date	No
1	02001-BA1-000	ENGINE, GX270T2 SWD4		1		1
2	91911-02	GASOLINE		1	Δ 1 2024/12/11	2
3	91921-05306	OIL, GASOLINE ENGINE 5W-30		1.1		3
4	02901-BA1-000	COVER, RECOIL		1		4
5	48911-B96-001	BOLT, SHOULDER 6 × 9S	M2B	3		5
6	02902-B96-000	COVER A, ENGINE		1		6
7	48905-B96-000	BOLT, SHOULDER 6 × 9	M0	1		7
8	48912-B96-000	BOLT, SHOULDER 8 × 14		1		8
9	48913-B96-000	BOLT, SHOULDER 6 × 9L	M2B	1		9
10	08600-BA1-030	COVER B COMP,ENGINE	H0	1	Δ 2 2026/02/02	10
11	93100-0801617	BOLT, FLANGE 8 × 16		1		11
12	94006-10410	NUT, FLANGE 10 × 1.25		4		12
13	91314-11765	STRAP, CABLE 1-1765		2		13
14	91314-119P7	STRAP, CABLE 1-19P7		2		14
15	02100-BA1-802	BASE COMP, ENGINE	B2M	1	Δ 1 2026/02/02	15
16	93100-0801617	BOLT, FLANGE 8 × 16		4		16
17	91382-0701001	CORRUGATE 7 × 100		1		17



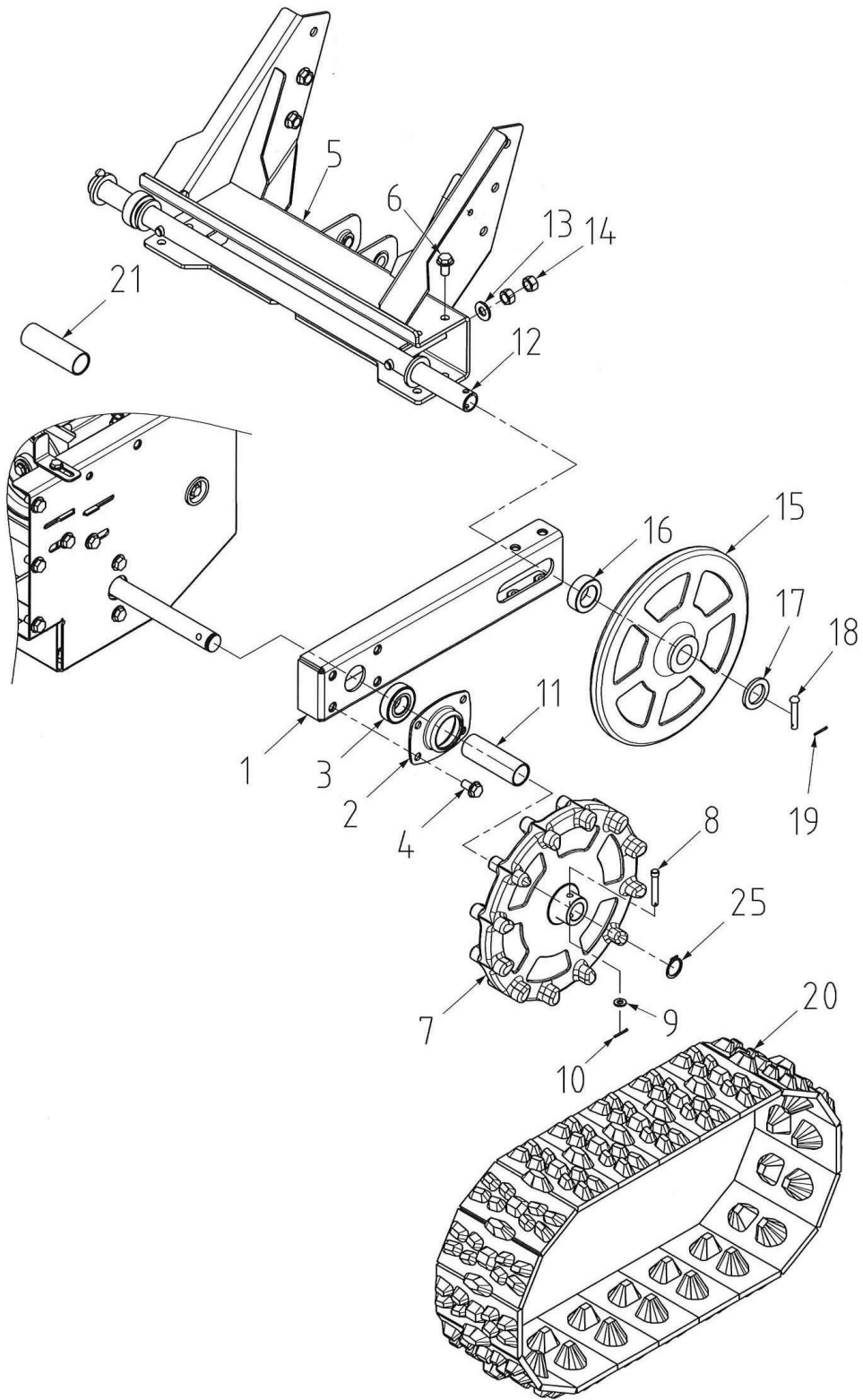
No	Product Number	Product Name	ST	Qty	Rev. Date	No
1	04100-BA1-000	COVER COMP, MUFFLER	H0	1		101
2	04200-BA1-801	BASE COMP, ENGINE COVER	B2	1	Δ 1 2022/01/28	102
3	93100-0601217	BOLT, FLANGE 6 × 12		13		103
4	04300-BA1-800	COVER COMP, AIR CLEANER	B2	1		104
5	04600-BA1-800	COVER COMP, UNDER	B2	1		105
6	04901-BA1-800	STAY, JOINT	B2	1		106
7	04400-BA1-800	STAY A COMP, MUFFLER COVER	B2	1		107
8	04500-BA1-800	STAY B COMP, MUFFLER COVER	B2	1		108
9	91315-A3455	CLIP, CABLE A-3455		1		109



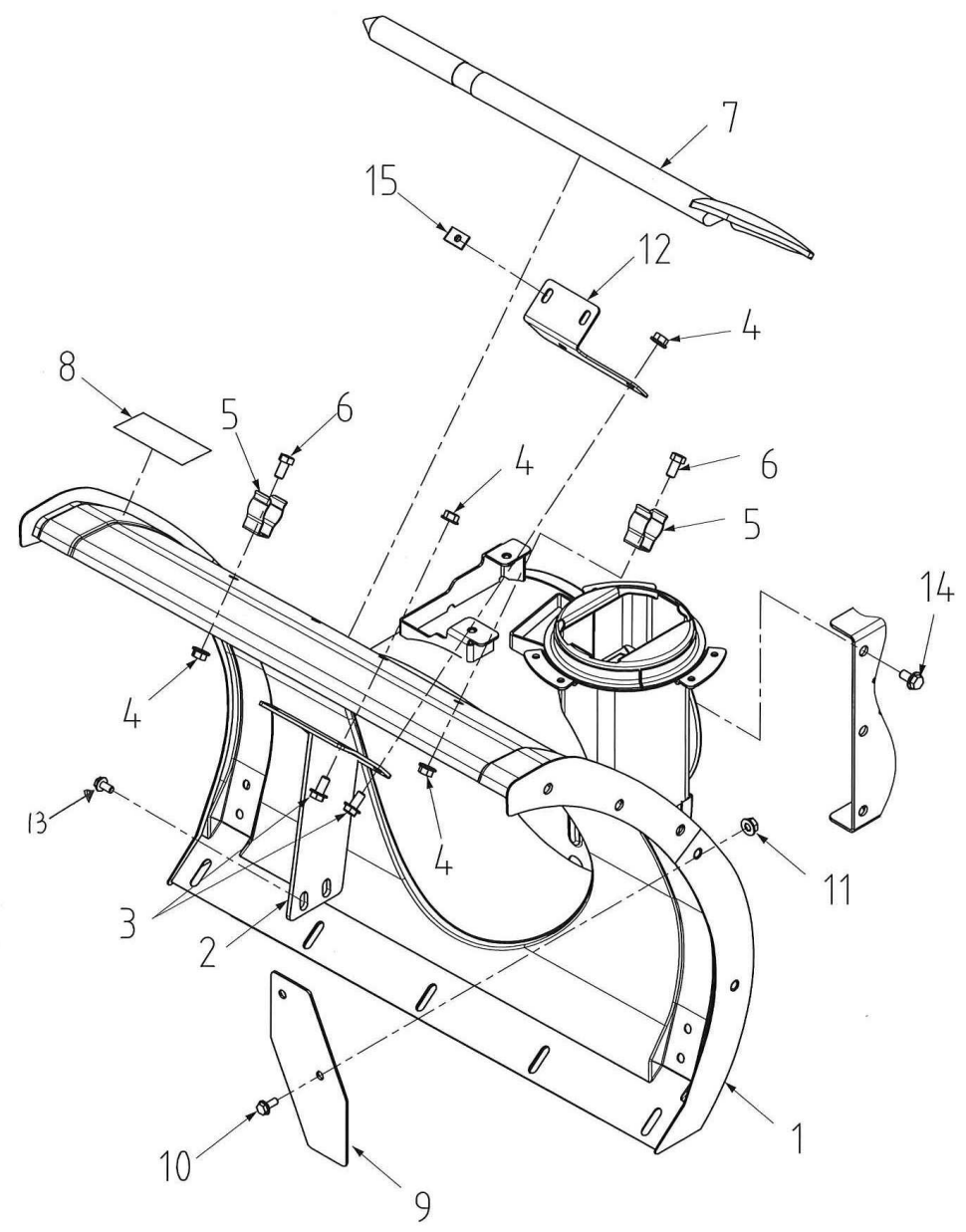
No	Product Number	Product Name	ST	Qty	Rev. Date	No
1	10001-BA1-000	TRANSMISSION ASSY, BDA-05S		1		1001
2	12902-BA1-801	SUPPORT, HST	B2	1		1002
3	93100-0804017	BOLT, FLANGE 8 × 40		2		1003
4	94002-08410	NUT, FLANGE 8		2		1004
5	93100-0801617	BOLT, FLANGE 8 × 16		2		1005
6	96105-06001	BEARING, 6001UU		1		1006
7	93100-0601617	BOLT, FLANGE 6 × 16		1		1007
8	94101-06015	WASHER, PLAIN 6		1		1008
9	75500-BA1-801	ARM COMP, HST	B2	1		1009
10	94317-04025	PIN, SPG 4 × 25		1		1010
11	75913-B18-000	WIRE, 1.2 × 100		1		1011
12	91542-1304251	HOSE, 13 × 425		1		1012
13	91323-019	CLAMP, HOSE 19		2		1013
14	56850-767-000	TANK ASSY, OIL		1		1014
15	91924-10301	OIL, MULTI ENGINE 10W-30		0.1		1015
16	93100-0601617	BOLT, FLANGE 6 × 16		1		1016
17	94002-06410	NUT, FLANGE 6		1		1017
18	91382-1904001	CORRUGATE 19 × 400		1		1018
19	91310-150	BAND, PRT1.5S		1	Δ 1 2025/06/10	1019
20	-					1020



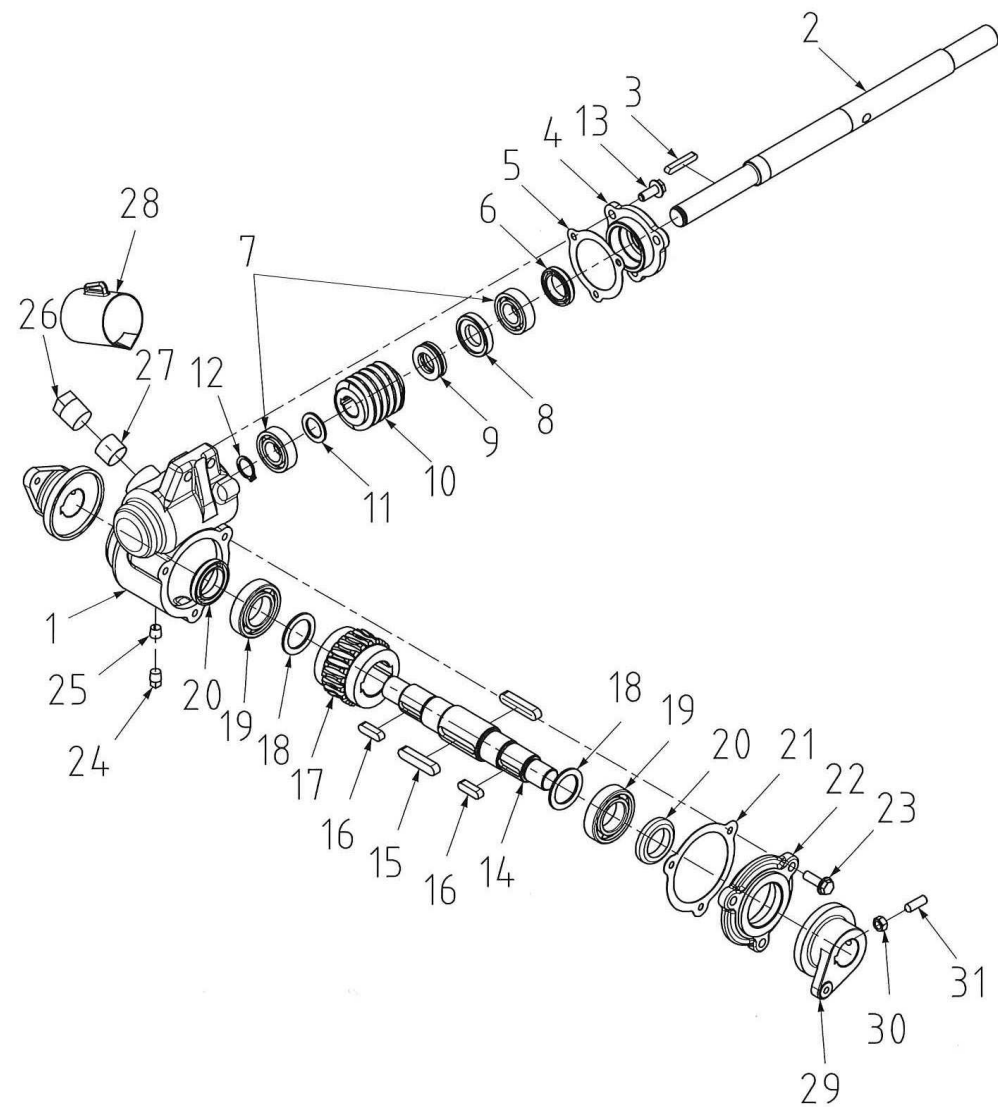
No	Product Number	Product Name	ST	Qty	Rev. Date	No
1	13100-BA1-004	GEAR COMP, M2 × 49		1	Δ 3 2023/04/07	1100
2	13907-BA1-001	COLLAR 22 × 19.5		1		1102
3	96105-06004	BEARING, 6004UU		2		1103
4	13902-BA1-000	SHAFT, GEAR		1		1104
5	13903-BA1-001	GEAR M2 × 47		1	Δ 1 2022/01/28	1105
6	13904-BA1-001	GEAR M2 × 18		1	Δ 1 2022/01/28	1106
7	13908-BA1-000	COLLAR 15 × 5.5		1		1107
8	13901-BA1-001	GEAR M2 × 16		1	Δ 1 2022/01/28	1109
9	13906-BA1-000	WASHER, RD 15 × 22 × 3.2		1		1110
10	96105-06202	BEARING, 6202UU		3		1112
11	14100-BA1-803	COVER COMP, GEAR	B2	1	Δ 2 2026/02/02	1113
12	13905-BA1-000	SHAFT, WHEEL		1		1114
13	97114-015040	KEY 7 × 7 × 15SS		1		1115
14	93100-0801617	BOLT, FLANGE 8 × 16		6		1116
15	25100-BA1-001	CASE COMP, BEARING 6202	M1	3	Δ 1 2024/02/28	1117
16	35400-B01-001	CASE A COMP, BEARING	M1	2		1118
17	93100-0801217	BOLT, FLANGE 8 × 12		2		1119
18	93100-0801617	BOLT, FLANGE 8 × 16		8		1120
19	91358-4131823	BUSH, RUBBER SG-18A		1		1121
20	13909-BA1-000	COLLAR 22 × 12.5		1		1101
22	-					1122



No	Product Number	Product Name	ST	Qty	Rev. Date	No
1	21100-BA1-801	FRAME COMP, CRAWLER	B2	2		2001
2	22902-B96-000	CASE, BEARING 6004	M1	2		2002
3	96105-06004	BEARING, 6004UU		2		2003
4	93100-0801617	BOLT, FLANGE 8 × 16		8		2004
5	21500-BA1-801	FRAME COMP, REAR	B2	1		2005
6	93100-0801617	BOLT, FLANGE 8 × 16		8		2006
7	22600-B96-002	SPROCKET COMP, CRAWLER		2		2007
8	26901-B96-002	PIN, DRIVE		2		2008
9	94101-06010	WASHER, PLAIN 6		2		2009
10	94210-20120	PIN, SPLIT 2 × 12		2		2010
11	23903-BA1-801	COLLAR 20 × 75.8	B2	1	Δ 1 2024/03/01	2011
12	21400-BA1-800	SHAFT COMP, REAR	B2	1		2012
13	94101-10010	WASHER, PLAIN 10		2		2013
14	94005-10412	NUT, SMALL 10 × 1.25		4		2014
15	22901-B96-001	WHEEL, DRIVEN		2		2015
16	22905-B96-800	COLLAR, 24 × 13	B2	2		2016
17	91251-2235321	WASHER, RD 22 × 35 × 3.2	M1	2		2017
18	94330-0603510	PIN, 6 × 35		2		2018
19	94210-20120	PIN, SPLIT 2 × 12		2		2019
20	23901-BA1-000	CRAWLER, 120 × 60 × 20		2	Δ 1 2022/11/24	2020
21	23904-BA1-801	COLLAR 20 × 61.5	B2	1	Δ 1 2024/03/01	2021
24	-				Δ 1 2025/05/16	2024
25	94510-20080	CIRCLIP, EX 20		2		2025

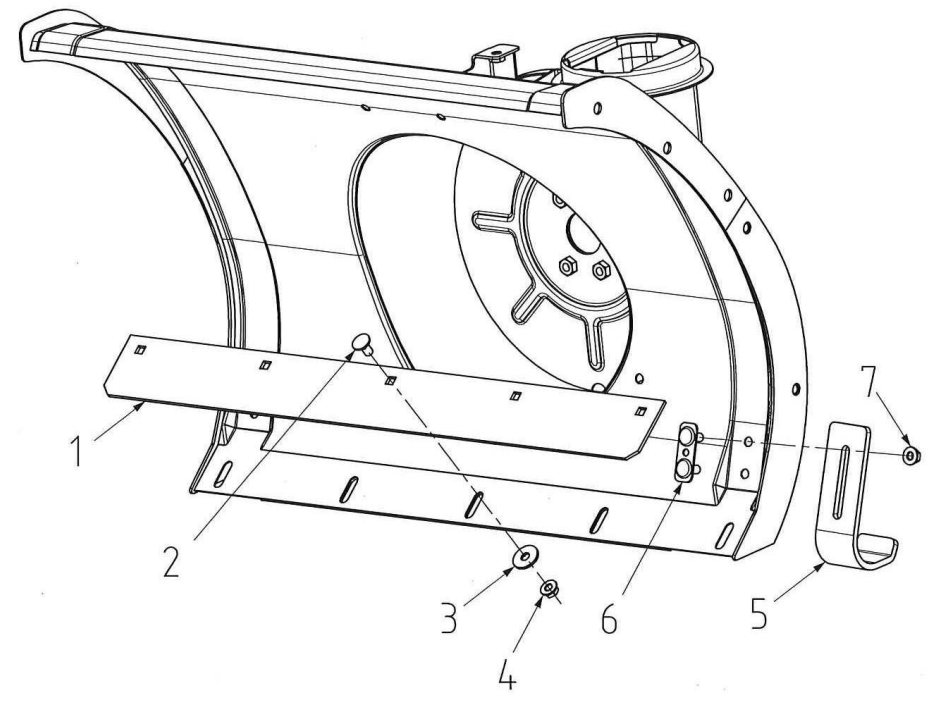


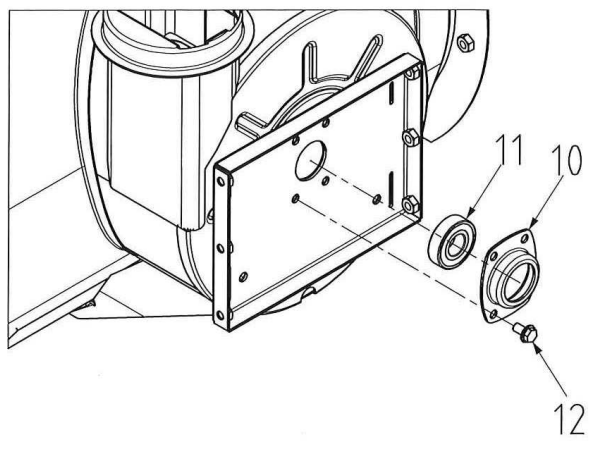
No	Product Number	Product Name	ST	Qty	Rev. Date	No
1	32100-BA1-000	HOUSING COMP, AUGER	R6	1	Δ 2 2024/12/11	3001
2	31200-B96-801	SUPPORT COMP, GEAR CASE	B2	1	Δ 1 2025/04/21	3002
3	93100-0801617	BOLT, FLANGE 8 × 16		4		3003
4	94002-08410	NUT, FLANGE 8		6		3004
5	39902-A65-001	HOLDER, BAR		2		3005
6	92200-0801617	BOLT, 8 × 16		2		3006
7	39901-B51-001	BAR, SNOW CLEANING		1		3007
8	91193-015	LABEL, AUGER DANGER		1		3008
9	31909-B96-801	PLATE	B2	1		3009
10	93100-0801617	BOLT, FLANGE 8 × 16		2		3010
11	94002-08410	NUT, FLANGE 8		2		3011
12	48902-BA1-802	STAY, COVER	B2	1	Δ 2 2026/02/02	3012
13	93300-1002517	BOLT, FLANGE 10 × 1.25 × 25		2		3013
14	93100-0801617	BOLT, FLANGE 8 × 16		6		3014
15	91236-0640591	NUT, U CHIMNEY 40591(6)		2		3015



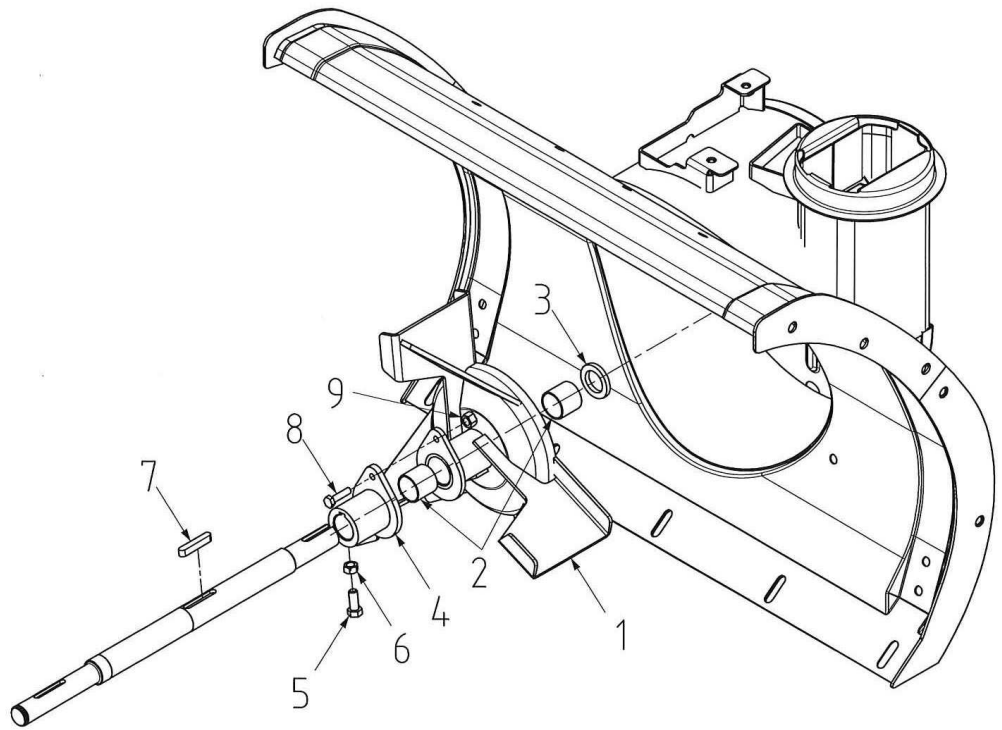
No	Product Number	Product Name	ST	Qty	Rev. Date	No
1	34901-B01-700	CASE, AUGER GEAR	B3M	1		3101
2	34901-B96-700	SHAFT, BLOWER	B3M	1		3102
3	97113-038241	KEY, 6 × 6 × 38RR		1		3103
4	31904-A31-701	COVER A, AUGER GEAR CASE	B3M	1		3104
5	39901-A31-002	PACKING A, AUGER GEAR CASE		1		3105
6	98251-2503807	SEAL, OIL D25387		1		3106
7	96100-06004	BEARING, 6004		2		3107
8	32904-A31-001	COLLAR, THRUST		1		3108
9	96200-051104	BEARING, THRUST 51104		1		3109
10	73251-V15-F002	GEAR, DRIVE		1		3110
11	91912-A05-001	WASHER, RD 20 × 30 × 2	M1	1		3111
12	94510-20080	CIRCLIP, EX 20		1		3112
13	93100-0802017	BOLT, FLANGE 8 × 20		3		3113
14	34902-B96-000	SHAFT, AUGER		1		3114
15	97116-048241	KEY, 10 × 8 × 48RR		2		3115
16	97115-028241	KEY, 8 × 7 × 28RR		2		3116
17	32902-A90-000	WORM WHEEL, M3 × 20		1		3117
18	91302-A31-000	WASHER, RD 30 × 42 × 2	M1	2		3118
19	96100-06006	BEARING, 6006		2		3119
20	98251-3004508	SEAL, OIL D30458		2		3120
21	39902-A31-002	PACKING B, AUGER GEAR CASE		1		3121
22	31905-A31-700	COVER B, AUGER GEAR CASE	B3M	1		3122
23	93100-0802517	BOLT, FLANGE 8 × 25		3		3123
24	91555-0141	PLUG, PT1/8		1		3124
25	91941-050	TAPE, SEAL 50		1		3125
26	91555-0641	PLUG, PT3/4		1		3126
27	91941-150	TAPE, SEAL 150		1		3127
28	91931-090	OIL, GEAR #90		0.2		3128
29	35901-B96-800	SHEAR FLANGE ,AUGER	B2	2		3129
30	94003-08412	NUT, SMALL 8		2		3130
31	91221-082540	BOLT, HEX SOCKET 8 × 25		2		3131
32	-					3132

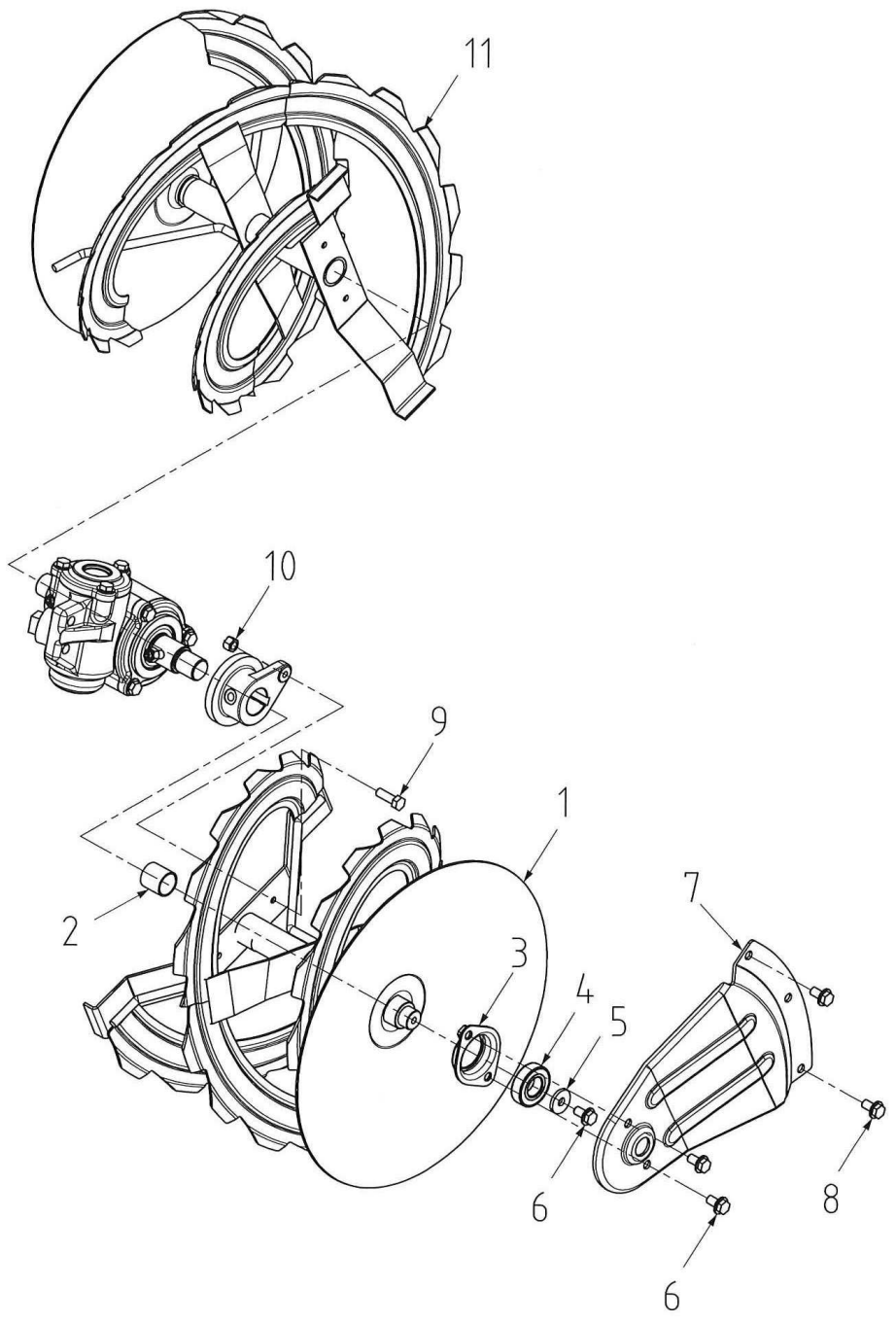
No	Product Number	Product Name	ST	Qty	Rev. Date	No
1	31903-BA1-800	EDGE	B2	1		3201
2	92600-0802014	BOLT, CUP SQUARE NECK 8×20		5	Δ 1 2022/01/28	3202
3	94101-08015	WASHER, PLAIN 8		5		3203
4	94002-08410	NUT, FLANGE 8		5		3204
5	31906-B96-800	SKID	B2	2		3205
6	31300-B96-800	BOLT COMP, SKID	B2	2		3206
7	94002-08410	NUT, FLANGE 8		4		3207
10	-					3210



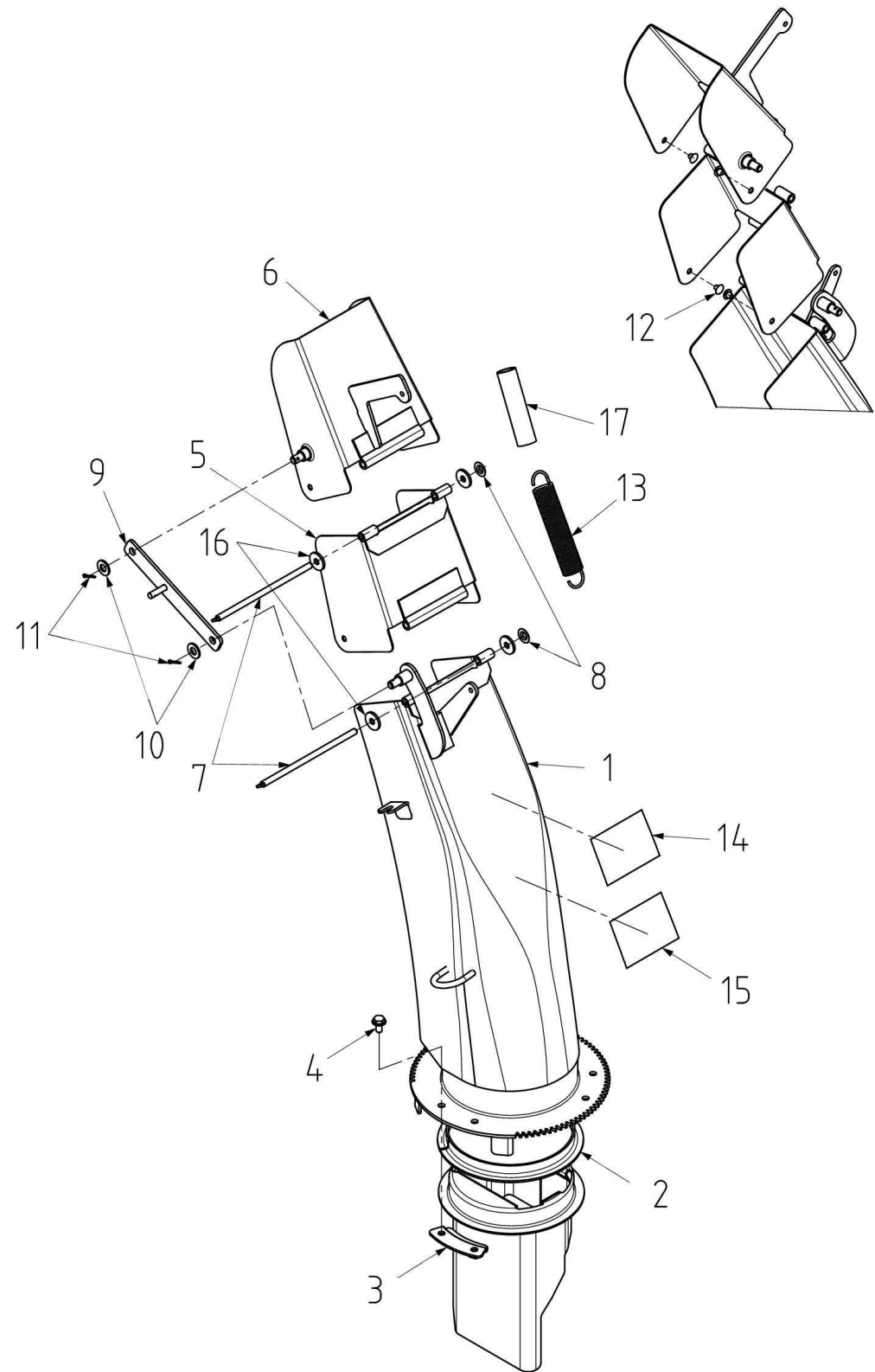


No	Product Number	Product Name	ST	Qty	Rev. Date	No
1	36100-B96-801	BLOWER COMP	B2	1		3301
2	91646-2525R	BUSH, BM2525FS		2		3302
3	91251-2235451	WASHER, RD 22 x 35 x 4.5	M1	1		3303
4	36300-B96-802	FLANGE COMP, BLOWER SHEAR	B2	1		3304
5	91212-0820147	BOLT, POINTED 8 x 20		1		3305
6	94003-08412	NUT, SMALL 8		1		3306
7	97114-040241	KEY, 7 x 7 x 40RR		1		3307
8	92000-0602517	BOLT, 6 x 25		1		3308
9	91234-064110	NUT, TOUGH LOCK 6		1		3309
10	25901-B01-000	CASE B, BEARING	M1	1		3310
11	96105-06222	BEARING, 62/22UU		1		3311
12	93100-0801617	BOLT, FLANGE 8 x 16		4		3312
13	-					3313

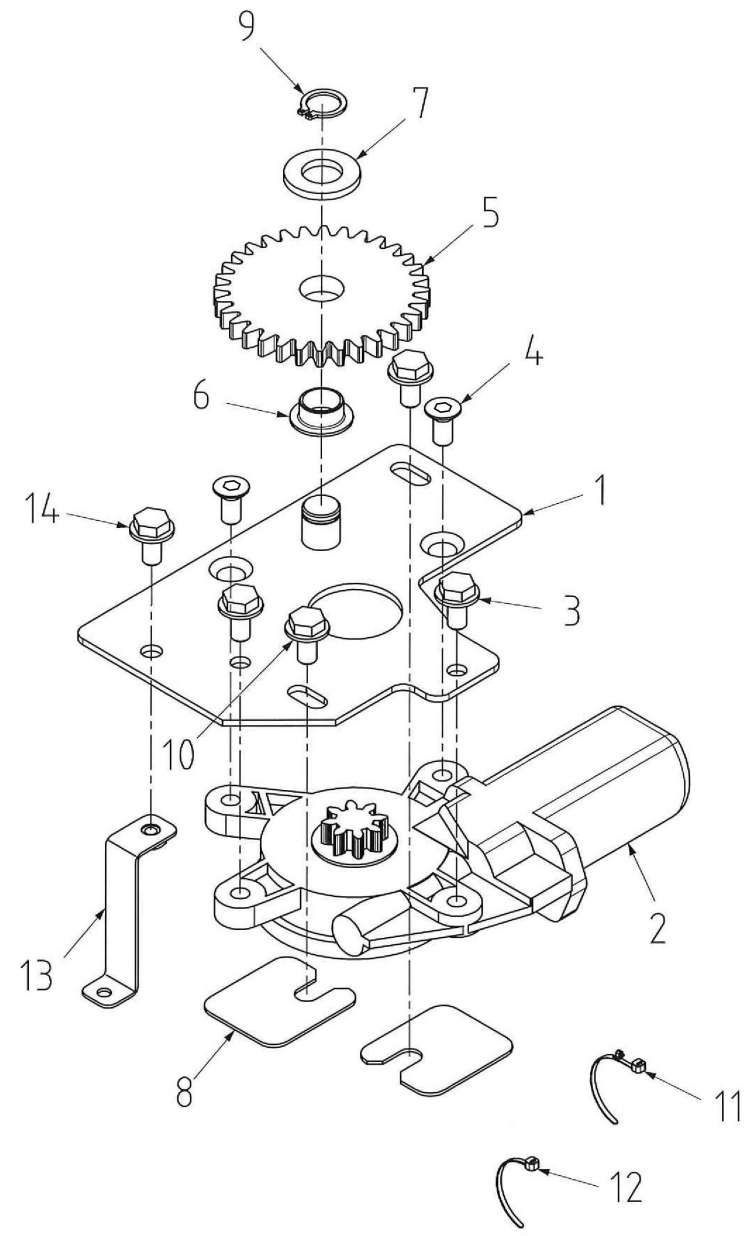




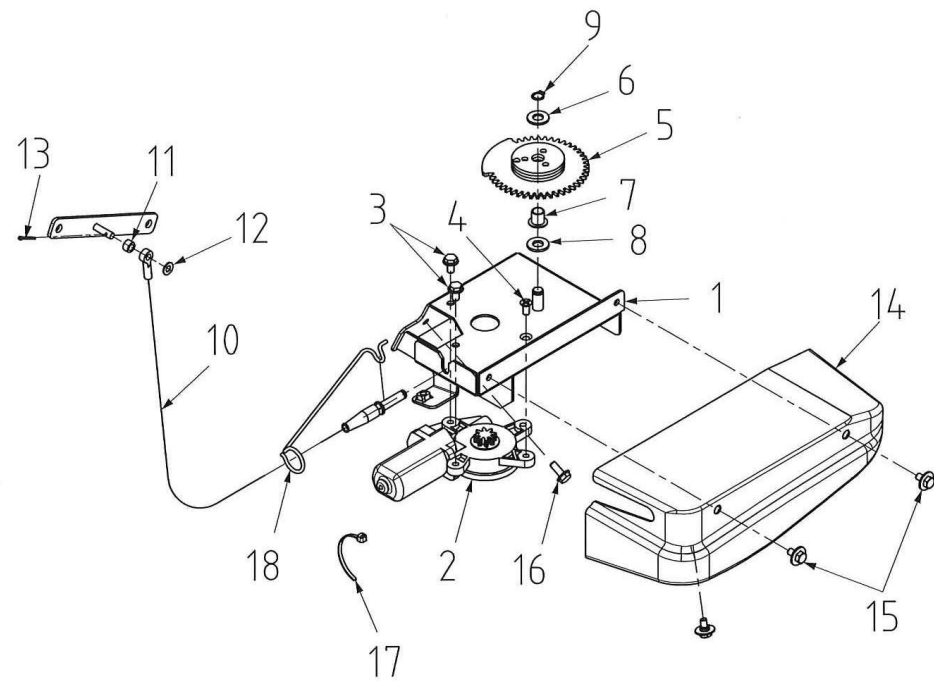
No	Product Number	Product Name	ST	Qty	Rev. Date	No
1	35100-BA1-601	AUGER L COMP	B4M	1		3401
2	91646-2225R	BUSH, BM2225FS		2		3402
3	35400-B01-001	CASE A COMP, BEARING	M1	2		3403
4	96105-06004	BEARING, 6004UU		2		3404
5	91251-0830321	WASHER, RD 8 × 30 × 3.2	M1	2		3405
6	93100-0801617	BOLT, FLANGE 8 × 16		6		3406
7	31902-B96-000	SUPPORT, AUGER SIDE	R6	2		3407
8	93100-0801617	BOLT, FLANGE 8 × 16		4		3408
9	92000-0602517	BOLT, 6 × 25		2		3409
10	91234-064110	NUT, TOUGH LOCK 6		2		3410
11	35200-BA1-601	AUGER R COMP	B4M	1		3411
12	-					3412



No	Product Number	Product Name	ST	Qty	Rev. Date	No
1	33500-BA1-001	CHUTE COMP	R6	1	Δ 1 2022/06/15	3501
2	33903-B96-002	SHEET, CHUTE		1		3502
3	33600-B96-001	CLAMP COMP, CHUTE	M1	3		3503
4	93100-0601217	BOLT, FLANGE 6 × 12		6		3504
5	33200-B96-803	DEFLECTOR A COMP, CHUTE	B2	1		3505
6	33300-BA1-801	DEFLECTOR B COMP, CHUTE	B2	1		3506
7	33906-B96-000	PIN, CHUTE	M1	2		3507
8	91243-06000	NUT, PUSH 6		2		3508
9	37200-B96-830	LINK COMP, CHUTE	B2	1		3509
10	94101-08010	WASHER, PLAIN 8		2		3510
11	94210-20120	PIN, SPLIT 2 × 12		2		3511
12	91361-0403	PLUG, HOLE 0403		4		3512
13	33904-B01-104	SPRING, COIL 19.7 × 127	MOB	1		3513
14	91194-017	LABEL, DISCHARGE WARNING		1		3514
15	91194-018	LABEL, BLOWER WARNING		1		3515
16	94101-06015	WASHER, PLAIN 6		4		3516
17	91580-2000801	TUBE, SPIRAL 20 × 80		1		3517
20	-					3520

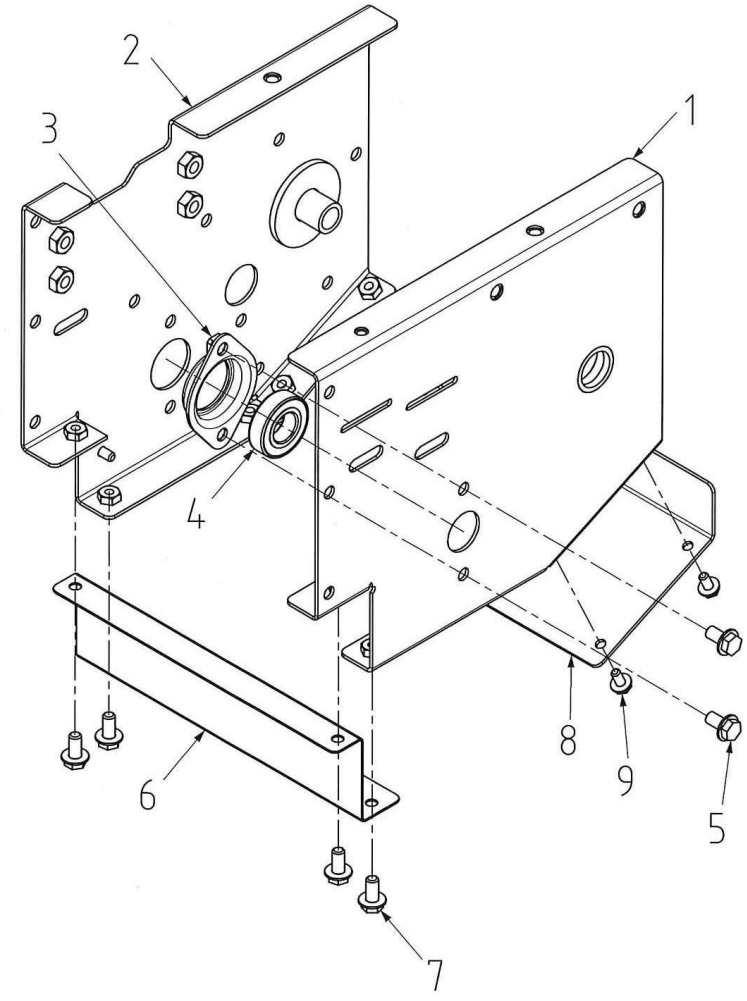


No	Product Number	Product Name	ST	Qty	Rev. Date	No
1	31400-BA1-801	BRACKET COMP,MOTOR	B2M	1		3601
2	81100-B53-002	MOTOR, JC578VA		1		3602
3	93100-0601217	BOLT, FLANGE 6 × 12		2		3603
4	91217-0601674	BOLT, COUNTERSUNK HEX SOCKET 6 × 16		2	Δ 1 2022/06/15	3604
5	33902-BA1-800	GEAR, M2 × 32	B2	1		3605
6	91644-120680	BUSH, 80F-1206		1		3606
7	94101-12010	WASHER, PLAIN 12		1		3607
8	31904-BA1-001	SHIM, 1		2		3608
9	94510-12080	CIRCLIP, EX 12		1		3609
10	93100-0601217	BOLT, FLANGE 6 × 12		2	Δ 1 2022/06/25	3610
11	91314-11W02	STRAP, CABLE 1-1W02		1		3611
12	91310-300	BAND, PRT3S		1	Δ 1 2025/05/09	3612
13	31500-BA1-800	STAY COMP, HARNESS	B2	1		3613
14	93100-0601217	BOLT, FLANGE 6 × 12		1		3614

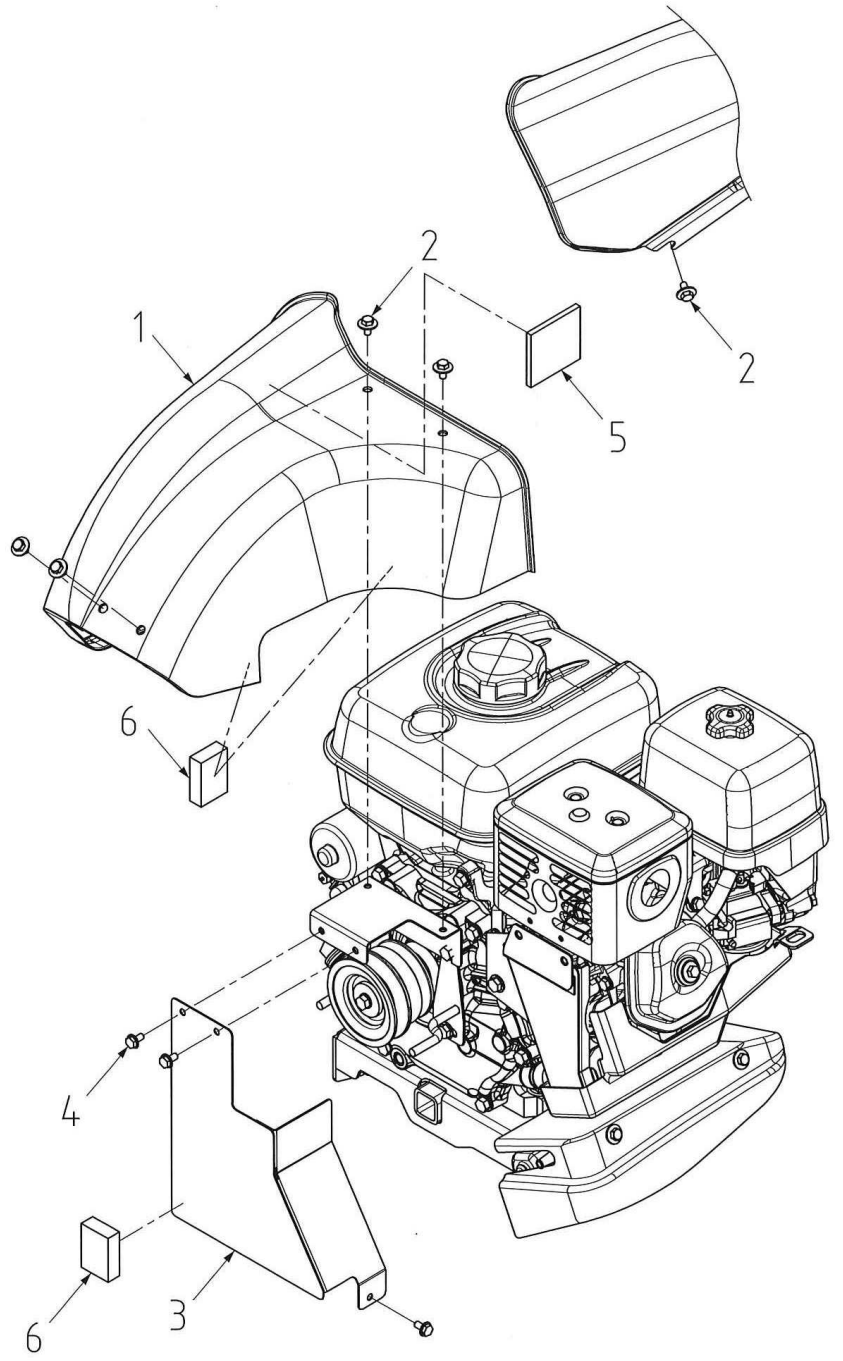


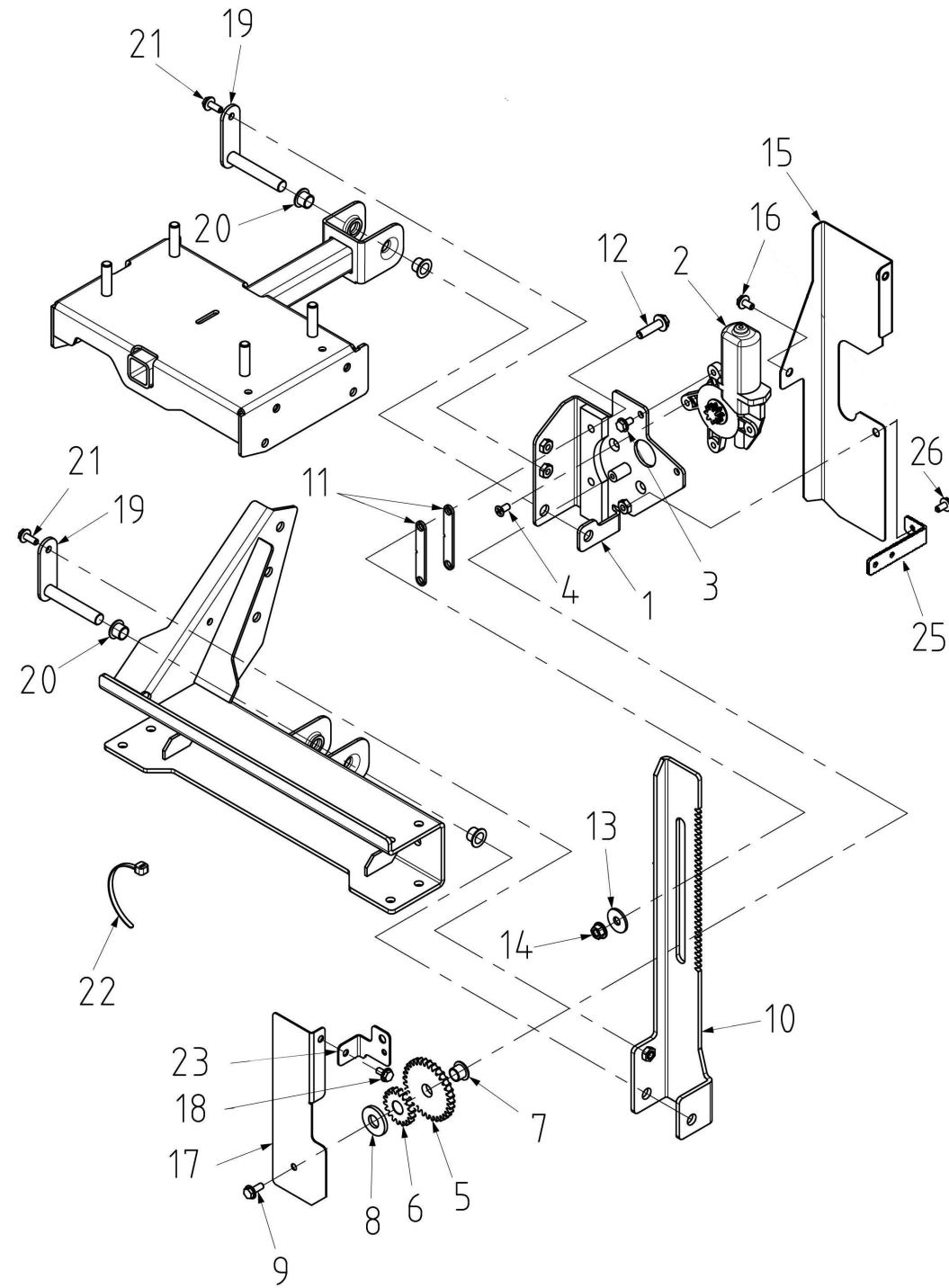
No	Product Number	Product Name	ST	Qty	Rev. Date	No
1	33400-BA1-801	BRACKET COMP,MOTOR	B2	1		3701
2	81100-B53-002	MOTOR, JC578VA		1		3702
3	93100-0601217	BOLT, FLANGE 6 × 12		2		3703
4	91217-0601674	BOLT, COUNTERSUNK HEX SOCKET 6 × 16		1	Δ 1 2026/02/02	3704
5	33800-BA1-801	GEAR COMP, CHUTER	B2	1	Δ 1 2024/03/04	3705
6	94101-10010	WASHER, PLAIN 10		1		3706
7	91644-101280	BUSH, 80F-1012		1		3707
8	94101-10010	WASHER, PLAIN 10		1		3708
9	94510-10080	CIRCLIP, EX 10		1		3709
10	77400-BA1-000	WIRE, CHUTER		1		3710
11	96901-BA1-000	COLLAR 6 × 4.5		1	Δ 1 2023/03/16	3711
12	94101-06010	WASHER, PLAIN 6		1		3712
13	94210-20120	PIN, SPLIT 2 × 12		1		3713
14	34905-BA1-003	COVER, MOTOR		1	Δ 1 2022/01/28	3714
15	48905-B96-000	BOLT, SHOULDER 6 × 9	M0	3		3715
16	93100-0601617	BOLT, FLANGE 6 × 16		2		3716
17	91310-150	BAND, PRT1.5S		1		3717
18	33901-BA1-000	GUIDE, CABLE	MOB	1		3718
20	-					3720

No	Product Number	Product Name	ST	Qty	Rev. Date	No
1	41100-BA1-801	FRAME L COMP, MAIN	B2	1	Δ 1 2026/02/02	4001
2	41200-BA1-801	FRAME R COMP, MAIN	B2	1	Δ 1 2026/02/02	4002
3	35400-B01-001	CASE A COMP, BEARING	M1	1		4003
4	96105-06004	BEARING, 6004UU		1		4004
5	93100-0801617	BOLT, FLANGE 8 × 16		2		4005
6	41901-BA1-801	COVER L, UNDER	B2	1	Δ 1 2026/02/02	4006
7	93100-0601217	BOLT, FLANGE 6 × 12		4		4007
8	41902-BA1-801	COVER R, UNDER	B2	1		4008
9	93100-0601217	BOLT, FLANGE 6 × 12		4		4009
10	-					4010

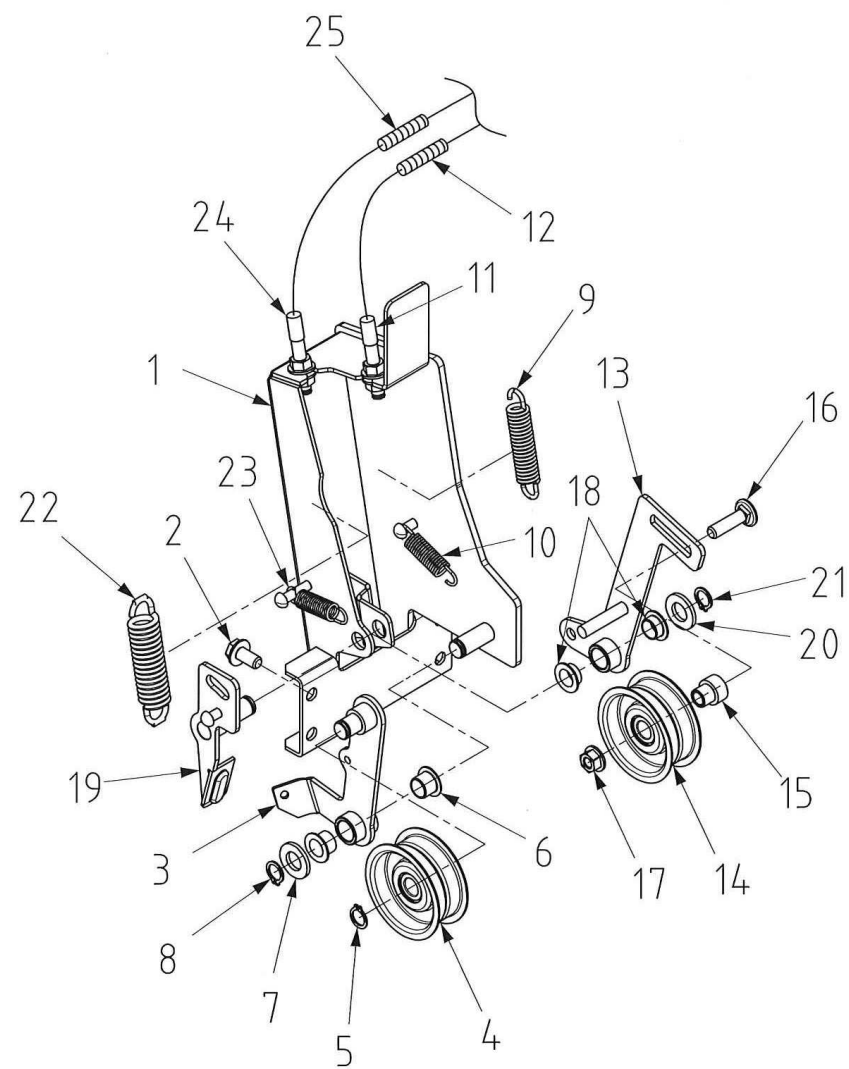


No	Product Number	Product Name	ST	Qty	Rev. Date	No
1	48901-BA1-001	COVER, BODY		1		4101
2	48905-B96-000	BOLT, SHOULDER 6 × 9	M0	5		4102
3	48300-BA1-800	COVER COMP, BELT	B2	1		4103
4	93100-0601217	BOLT, FLANGE 6 × 12		3		4104
5	41903-BA1-000	SPONGE, 70 × 100 × 20		1		4105
6	41904-BA1-000	SPONGE, 35 × 50 × 15		3		4106
7	-					4107

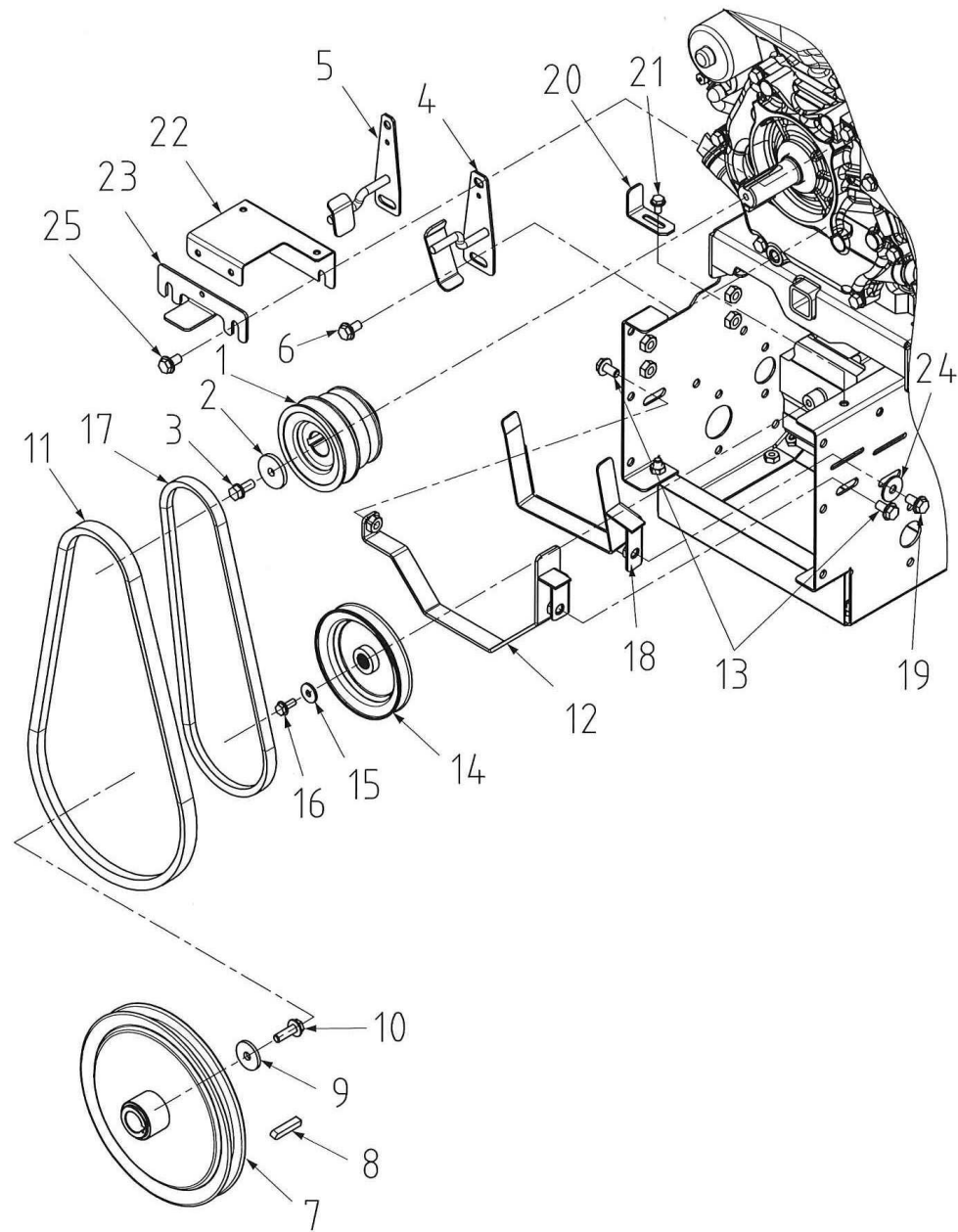




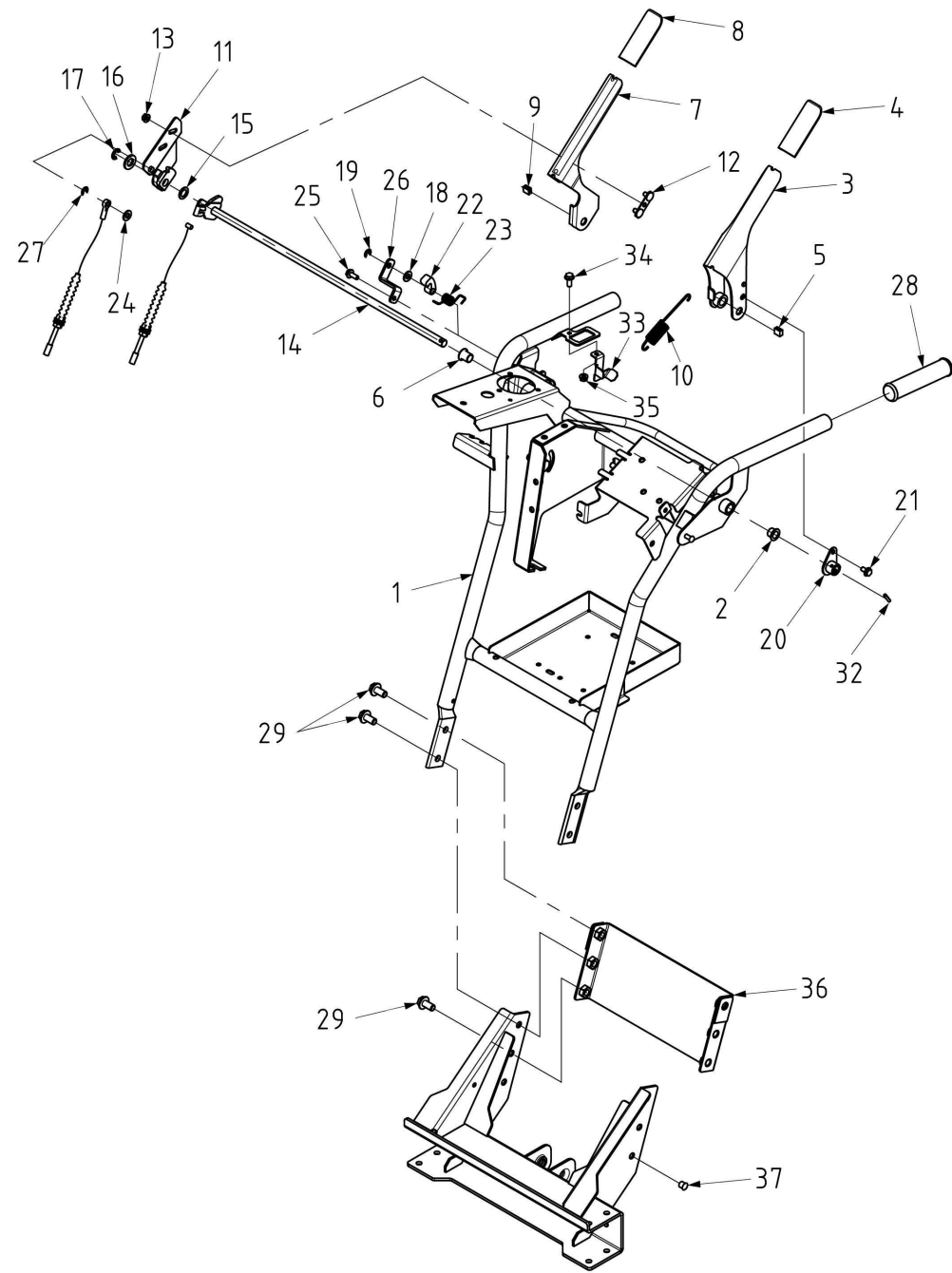
No	Product Number	Product Name	ST	Qty	Rev. Date	No
1	71300-BA1-800	BRACKET COMP, LIFTING MOTOR	B2M	1		5001
2	81100-B53-002	MOTOR, JC578VA		1		5002
3	93100-0601217	BOLT, FLANGE 6 × 12		2		5003
4	91217-0601674	BOLT, COUNTERSUNK HEX SOCKET 6 × 16		2	Δ 1 2026/02/02	5004
5	33902-B56-002	GEAR, M2 × 32		1		5005
6	33903-B56-003	GEAR, M2 × 18		1		5006
7	91644-121280	BUSH, 80F-1212		1		5007
8	94101-12010	WASHER, PLAIN 12		1		5008
9	93100-0601217	BOLT, FLANGE 6 × 12		1		5009
10	71400-BA1-800	RACK COMP, HEIGHT	B2	1		5010
11	71904-B96-830	PLATE, STOPPER	B2	2		5011
12	93100-0803017	BOLT, FLANGE 8 × 30		2		5012
13	94101-08015	WASHER, PLAIN 8		2		5013
14	94002-08410	NUT, FLANGE 8		2		5014
15	72100-BA1-800	COVER A COMP, GEAR	B2	1		5015
16	93100-0601217	BOLT, FLANGE 6 × 12		1	Δ 1 2025/05/16	5016
17	72901-BA1-801	COVER B, GEAR	B2	1		5017
18	93100-0601217	BOLT, FLANGE 6 × 12		1		5018
19	71500-B96-001	PIN 72 COMP, LEVER	M1	2		5019
20	91644-121080	BUSH, 80F-1210		4		5020
21	93100-0601617	BOLT, FLANGE 6 × 16		2		5021
22	-				Δ 1 2022/06/25	5022
23	72903-BA1-800	STAY, OIL TANK	B2	1	Δ 1 2022/02/22	5023
24	-					5024
25	21902-BA1-800	STAY, HARNESS	B2	1		2022
26	93100-0601617	BOLT, FLANGE 6 × 16		1		2023



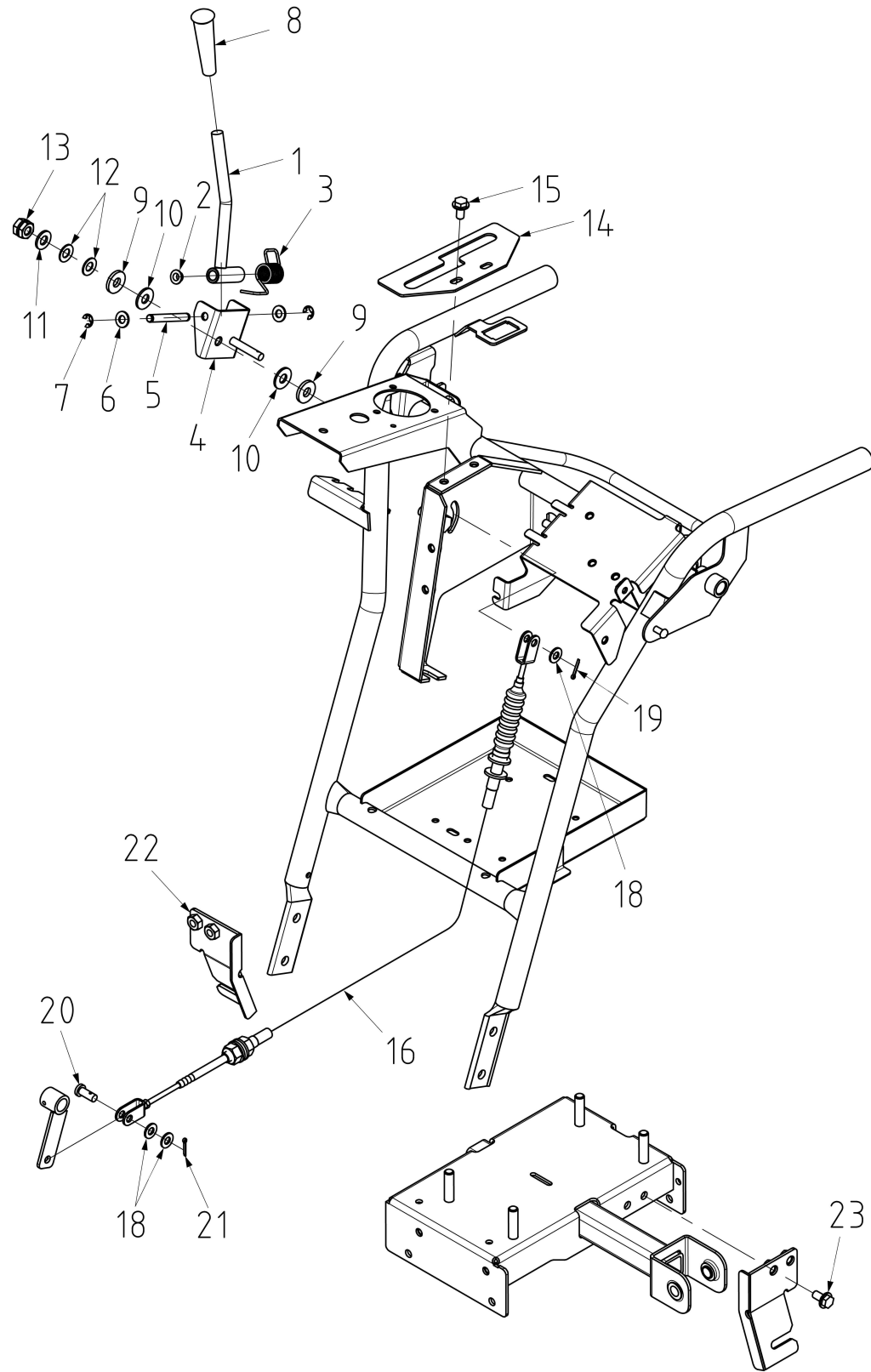
No	Product Number	Product Name	ST	Qty	Rev. Date	No
1	61300-BA1-802	BRACKET COMP, TENSION ARM	B2M	1	Δ 1 2021/12/17	6001
2	93100-0801617	BOLT, FLANGE 8 × 16		4		6002
3	66200-BA1-800	ARM COMP, TRAVEL CLUTCH	B2M	1		6003
4	91615-12552243	PULLEY, TENSION 55TB1		1		6004
5	94510-12080	CIRCLIP, EX 12		1		6005
6	91644-121080	BUSH, 80F-1210		2		6006
7	94101-12010	WASHER, PLAIN 12		1		6007
8	94510-12080	CIRCLIP, EX 12		1		6008
9	71906-B96-000	SPRING, TRAVEL TENSION	M1B	1		6009
10	91605-G01-001	SPRING, COIL 10 × 45	M1B	1		6010
11	77700-BA1-000	WIRE, TRAVEL CLUTCH (E		1		6011
12	91382-0703001	CORRUGATE 7 × 300		1		6012
13	66100-B96-801	ARM COMP, AUGER CLUTCH	B2	1		6013
14	91615-12552243	PULLEY, TENSION 55TB1		1		6014
15	66902-B96-002	COLLAR, TENSION	M1	1		6015
16	92600-0803014	BOLT, CUP SQUARE NECK 8 × 30		1		6016
17	94002-08410	NUT, FLANGE 8		1		6017
18	91644-120680	BUSH, 80F-1206		2		6018
19	65800-BA1-800	BRAKE COMP, BLOWER	B2M	1		6019
20	94101-12010	WASHER, PLAIN 12		1		6020
21	94510-12080	CIRCLIP, EX 12		1		6021
22	71907-B96-000	SPRING, AUGER TENSION	M1B	1		6022
23	91603-B50-001	SPRING, COIL 10 × 50	M1B	1		6023
24	77800-BA1-000	WIRE, AUGER CLUTCH (E		1		6024
25	91382-0703001	CORRUGATE 7 × 300		1		6025
26	-					6026



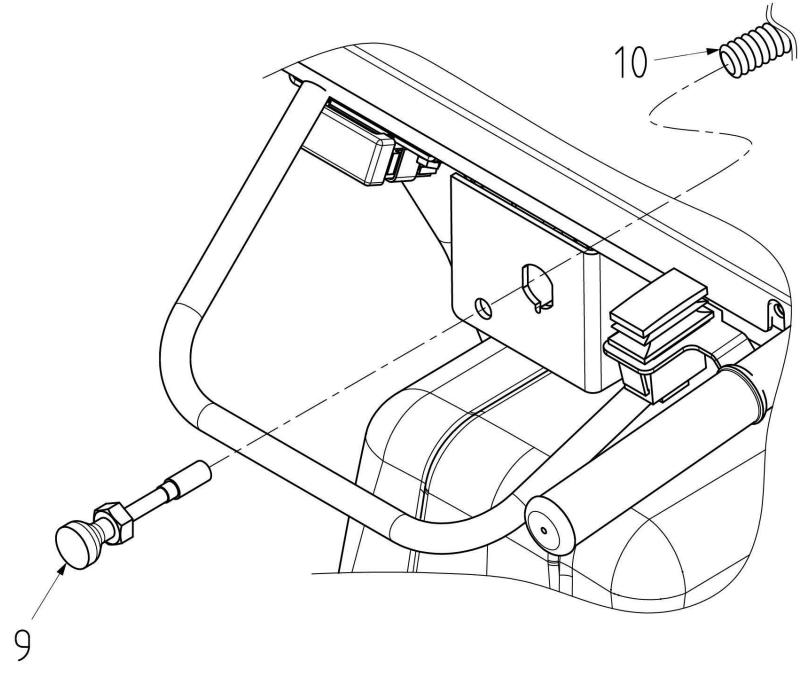
No	Product Number	Product Name	ST	Qty	Rev. Date	No
1	63902-BA1-701	PULLEY, ENGINE	B3M	1		6101
2	91251-0835451	WASHER, RD 8 × 35 × 4.5	M1	1		6102
3	93100-0802517	BOLT, FLANGE 8 × 25		1		6103
4	63400-BA1-804	STOPPER AL COMP, BELT	B2	1		6104
5	63500-BA1-801	STOPPER AR COMP, BELT	B2	1		6105
6	93100-0801617	BOLT, FLANGE 8 × 16		2		6106
7	63100-B96-002	PULLEY COMP, 203.2B	M1	1		6107
8	97114-035141	KEY, 7 × 7 × 35SR		1		6108
9	91251-0835321	WASHER, RD 8 × 35 × 3.2	M1	1		6109
10	93100-0802517	BOLT, FLANGE 8 × 25		1		6110
11	63903-B96-000	BELT W800, SB37		1		6111
12	65400-BA1-801	STOPPER D COMP, BELT	B2	1		6112
13	93100-0801617	BOLT, FLANGE 8 × 16		2		6113
14	63200-BA1-002	PULLEY COMP, HST	M1	1		6114
15	94101-06015	WASHER, PLAIN 6		1		6115
16	93100-0601617	BOLT, FLANGE 6 × 16		1		6116
17	91652-0207031	BELT SA31, RED S II		1		6117
18	65200-BA1-801	STOPPER B COMP, BELT	B2	1		6118
19	93100-0801617	BOLT, FLANGE 8 × 16		1		6119
20	65904-B96-800	STOPPER E, BELT	B2	1		6120
21	93100-0601217	BOLT, FLANGE 6 × 12		1		6121
22	48200-BA1-800	STAY COMP, CENTER COVER	B2	1		6122
23	65901-BA1-800	STOPPER E, BELT	B2	1		6123
24	94101-08015	WASHER, PLAIN 8		1		6124
25	93100-0802017	BOLT, FLANGE 8 × 20		2		6125
26	-					6126



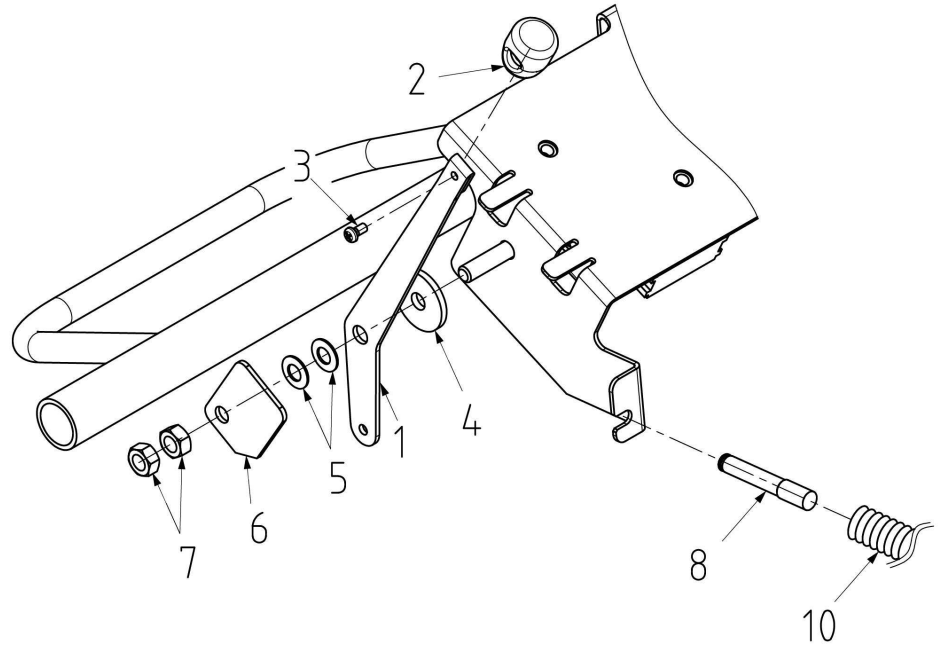
No	Product Number	Product Name	ST	Qty	Rev. Date	No
1	71100-BA1-832	HANDLE COMP	B2M	1	Δ 3 2026/02/02	7001
2	91644-121580	BUSH, 80F-1215		1		7002
3	73500-B96-634	LEVER COMP, TRAVEL CLUTCH	B4	1	Δ 1 2025/02/06	7003
4	73901-B96-001	COVER, DIPPING		1		7004
5	71909-B96-000	PROTECTOR, RUBBER 12×10		1		7005
6	91644-121580	BUSH, 80F-1215		1		7006
7	73600-B96-801	LEVER COMP, AUGER CLUTCH	B2	1		7007
8	73901-B96-001	COVER, DIPPING		1		7008
9	71909-B96-000	PROTECTOR, RUBBER 12×10		1		7009
10	71905-B96-101	SPRING, CLUTCH LEVER	M0B	1		7010
11	73400-B96-832	BRACKET COMP, AUGER CLUTCH	B2	1		7011
12	76500-B96-801	PLATE COMP, SET	B2	1		7012
13	94002-06410	NUT, FLANGE 6		2		7013
14	76400-B96-806	SHAFT COMP	B2	1		7014
15	73903-B96-000	SHIM 12×20×1.2	M1	1		7015
16	94101-12010	WASHER, PLAIN 12		1		7016
17	94511-09010	RING, E 9		1		7017
18	94101-08010	WASHER, PLAIN 8		1		7018
19	94511-07010	RING, E 7		1		7019
20	74100-B96-634	BOSS COMP, JOINT	B4	1	Δ 2 2025/02/06	7020
21	93100-0601217	BOLT, FLANGE 6×12		1		7021
22	73905-BA2-000	CAM		1		7022
23	71901-B96-001	SPRING	M1B	1		7023
24	94101-08010	WASHER, PLAIN 8		1		7024
25	93100-0601617	BOLT, FLANGE 6×16		1		7025
26	78903-B96-801	STAY	B2	1		7026
27	94511-07010	RING, E 7		1		7027
28	91732-251271	GRIP, HANDLE 25×127		2		7028
29	93300-1002017	BOLT, FLANGE 10×1.25×20		6		7029
30	-					7030
31	-					7031
32	94319-40020	PIN, SPG 4×20		1		7032
33	78907-BA1-800	STAY, SWITCH CAT	B2	1		7033
34	93100-0601217	BOLT, FLANGE 6×12		1		7034
35	94002-06410	NUT, FLANGE 6		1		7035
36	71500-BA1-800	LINK COMP, HANDLE		1		7036
37	71902-BA1-001	HOLE PLUG, CP-30N-HP-3		2	Δ 1 2023/12/18	7037

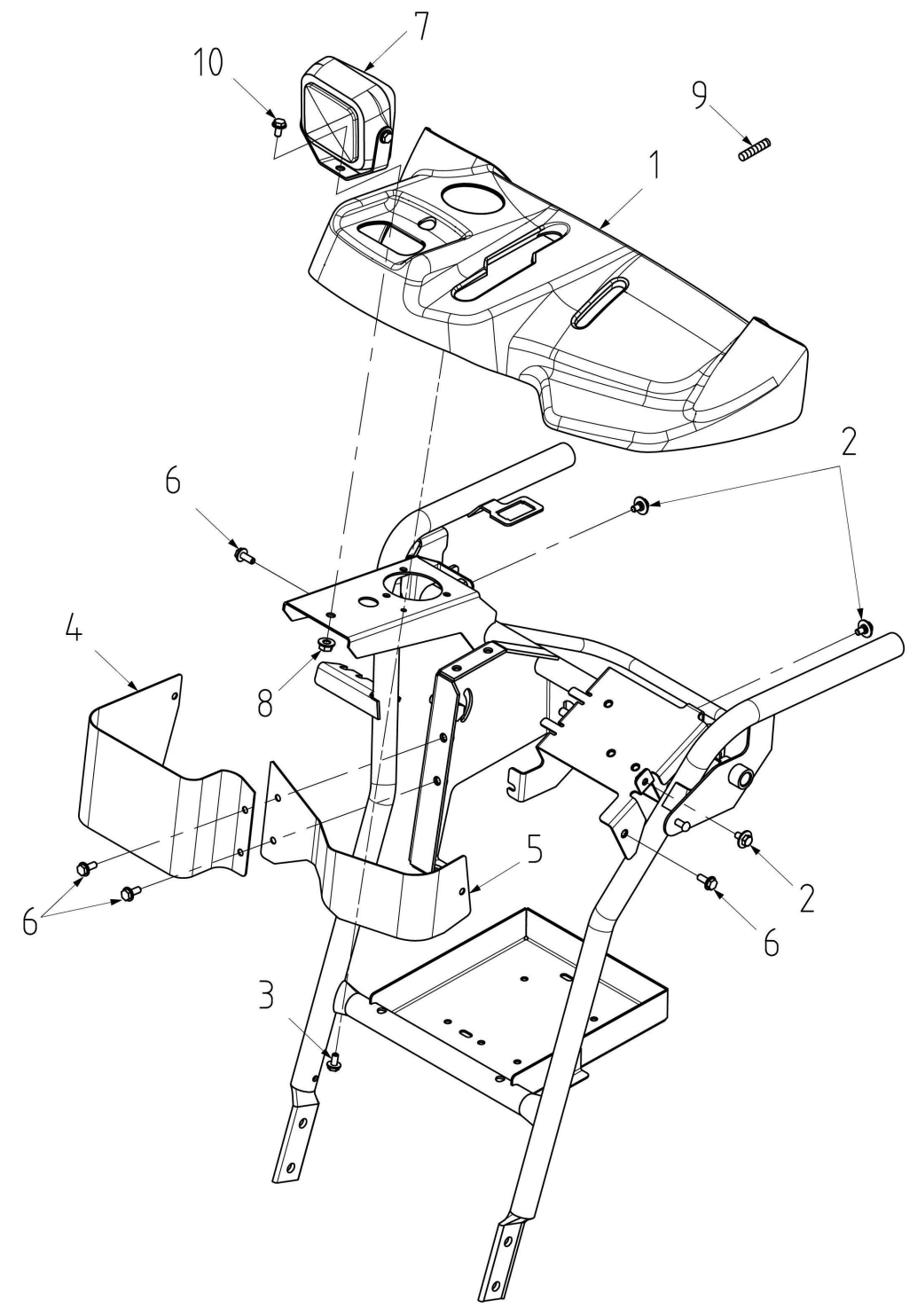


No	Product Number	Product Name	ST	Qty	Rev. Date	No
1	75200-BA1-800	LEVER COMP, SPEED SHIFTING	B2	1		7101
2	91644-081580	BUSH, 80F-0815		2		7102
3	75904-B96-000	SPRING		1		7103
4	75100-B96-802	BRACKET COMP, SPEED SHIFTING LEVER	B2	1		7104
5	75901-B96-001	SHAFT,SPEED SHIFTING LEVER	M1	1		7105
6	-				Δ 1 2023/03/16	7106
7	94511-07010	RING, E 7		2		7107
8	91731-1208014	GRIP, LEVER OH12		1		7108
9	91251-1025321	WASHER, RD 10×25×3.2	M1	2		7109
10	91648-8010	WASHER, 80W-10		2		7110
11	94101-10010	WASHER, PLAIN 10		1		7111
12	91252-102	WASHER, SPG H10		2		7112
13	91235-10100	NUT, HARD LOCK 10		1		7113
14	75903-BA1-800	PLATE, GUIDE	B2	1		7114
15	93100-0601617	BOLT, FLANGE 6×16		2		7115
16	77600-BA1-030	WIRE, MAIN SPEED SHIFTING (E		1	Δ 1 2023/12/18	7116
17	-				Δ 1 2024/12/11	7117
18	94101-08010	WASHER, PLAIN 8		3	Δ 1 2024/05/31	7118
19	94210-25150	PIN, SPLIT 2.5×15		1		7119
20	94331-0802510	PIN, 8×20		1	Δ 1 2023/12/18	7120
21	94210-25150	PIN, SPLIT 2.5×15		1		7121
22	12700-BA1-800	STAY COMP, HST WIRE	B2	1		7122
23	93100-0801617	BOLT, FLANGE 8×16		2		7123
24	-					7124

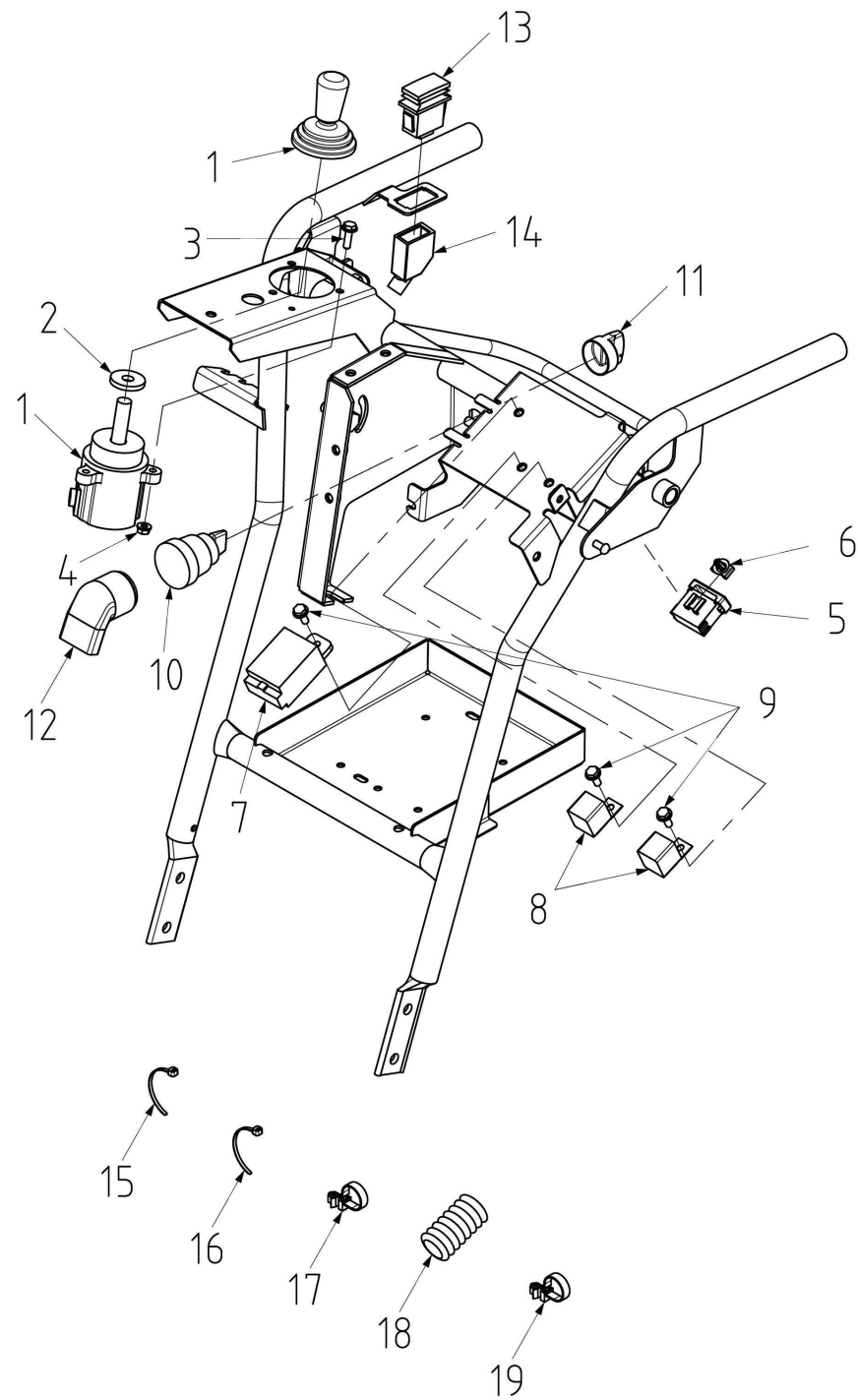


No	Product Number	Product Name	ST	Qty	Rev. Date	No
1	75902-B96-801	LEVER, THROTTLE	B2	1	Δ 1 2026/01/08	7201
2	75907-B18-000	KNOB, THROTTLE LEVER		1		7202
3	75908-B18-001	SCREW, SPECIAL 4×8		1	Δ 1 2022/03/03	7203
4	94101-08015	WASHER, PLAIN 8		1	Δ 1 2023/03/16	7204
5	91252-082	SPRING H, PLATE 8		2		7205
6	77901-BA1-800	PLATE, THRUST	B2	1	Δ 1 2022/01/28	7206
7	94001-08412	NUT, 8		2		7207
8	77100-BA1-000	WIRE, THROTTLE (E		1		7208
9	77200-BA1-001	WIRE, CHOKE (E		1	Δ 1 2024/05/16	7209
10	91382-0505001	CORRUGATE 5×500		2		7210
11	-					7211
12	91318-20058	PURSE LOCK 2-0058		1		7212

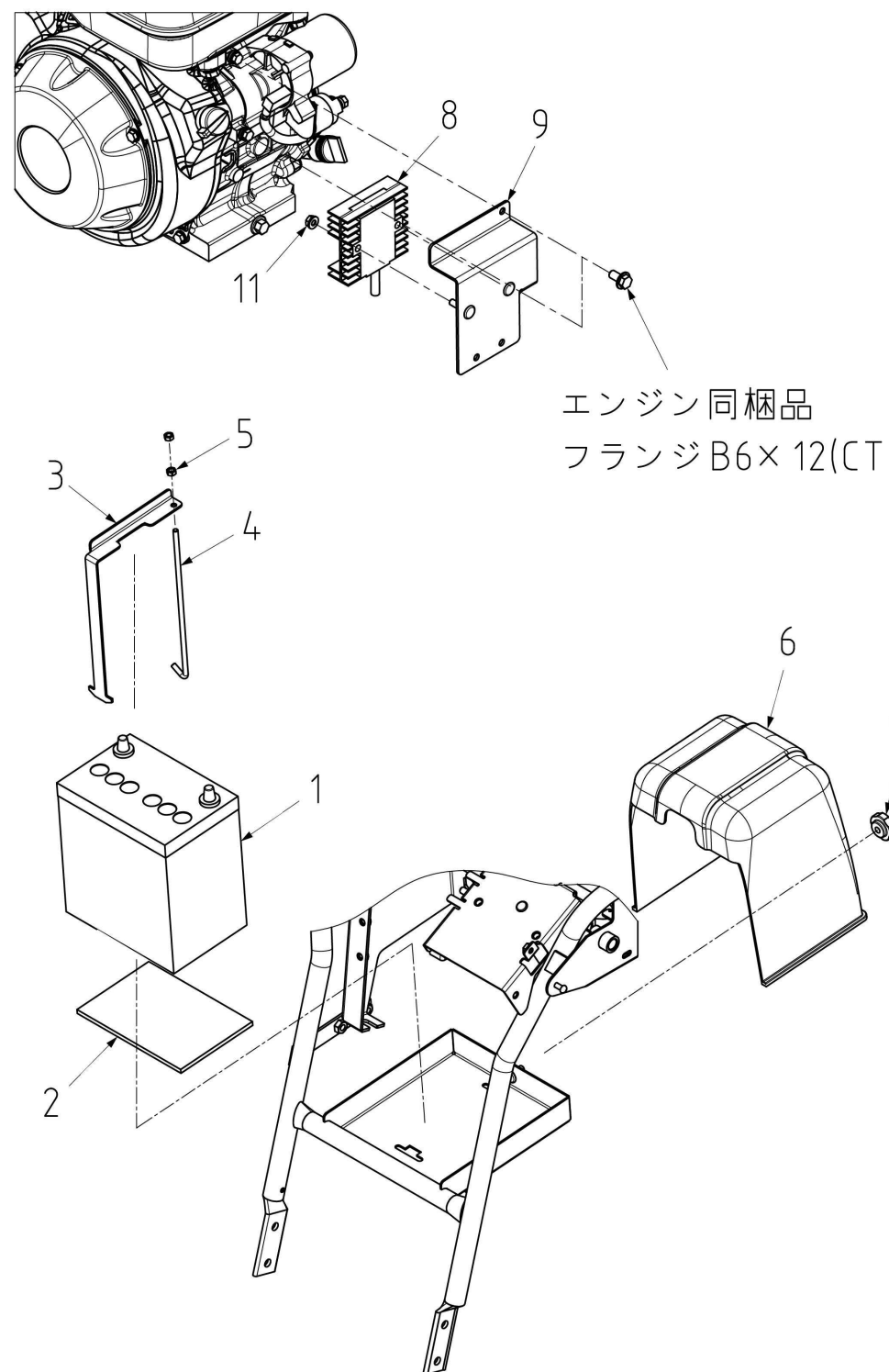




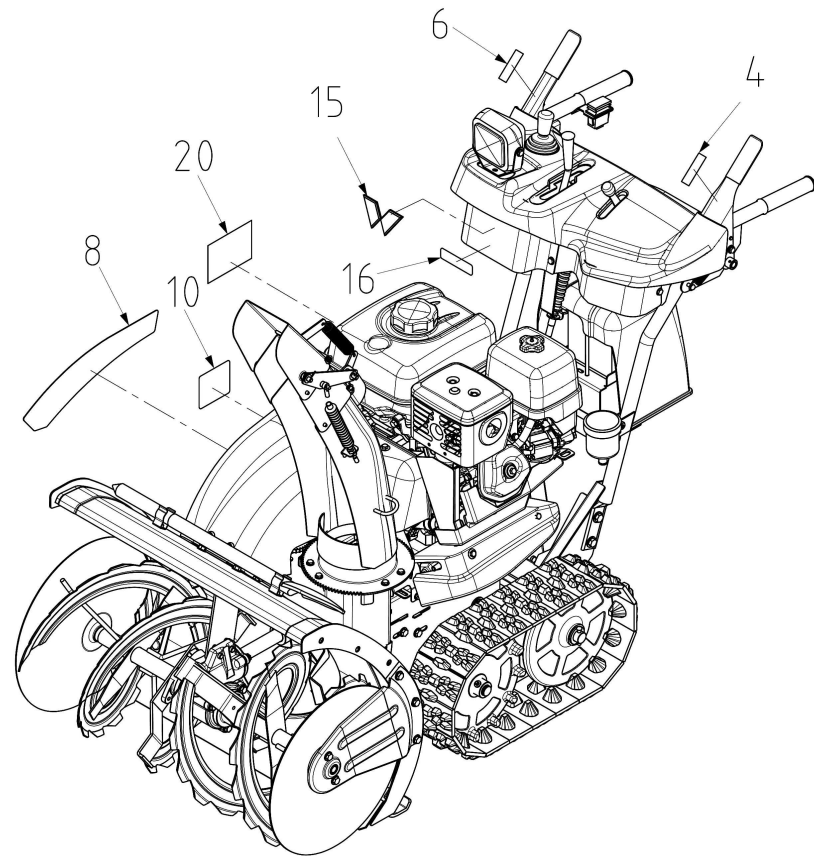
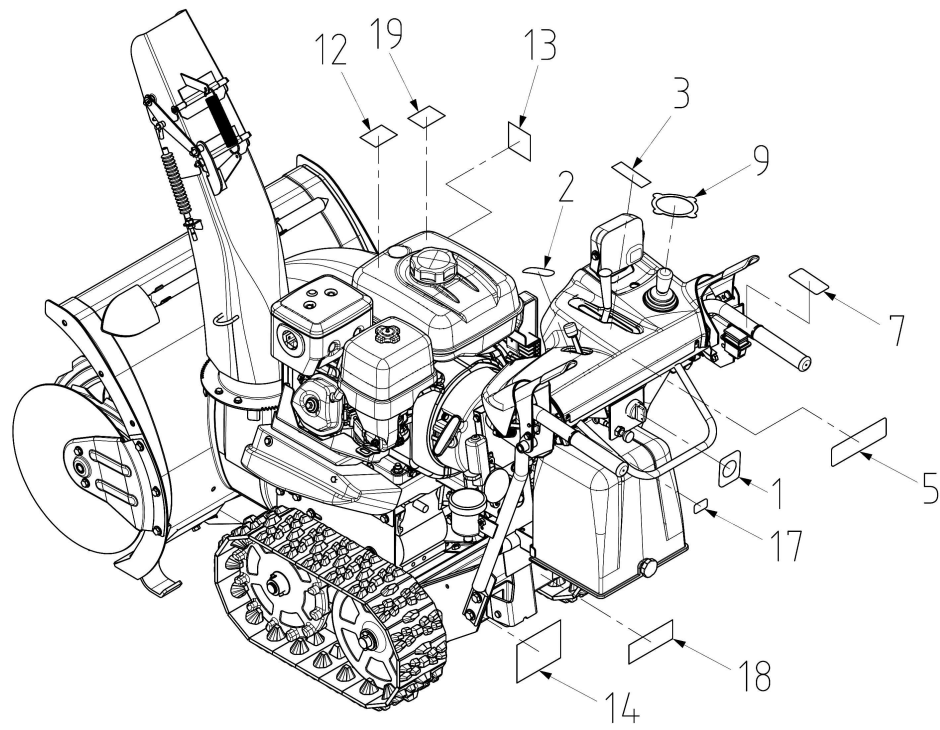
No	Product Number	Product Name	ST	Qty	Rev. Date	No
1	78800-B96-001	PANEL, CONTROL		1	Δ 1 2026/01/29	7301
2	48905-B96-000	BOLT, SHOULDER 6 × 9	M0	3		7302
3	93100-0501217	BOLT, FLANGE 5 × 12		1		7303
4	78909-BA1-802	COVER A, FRONT	B2	1	Δ 2 2023/12/26	7304
5	78908-BA1-801	COVER B, FRONT	B2	1	Δ 1 2023/12/18	7305
6	93100-0601257	BOLT, FLANGE 6 × 12		4	Δ 1 2022/01/28	7306
7	83100-G18-000	LAMP, 18W		1		7307
8	94002-08410	NUT, FLANGE 8		1		7308
9	91382-0700801	CORRUGATE 7 × 80		1		7309
10	93100-0801617	BOLT, FLANGE 8 × 16		1		7310



No	Product Number	Product Name	ST	Qty	Rev. Date	No
1	83200-B18-000	SWITCH, CONTROL		1		8001
2	83902-B18-000	WASHER, RD 11 × 32 × 4.5	M1	1		8002
3	93100-0602017	BOLT, FLANGE 6 × 20		3		8003
4	94002-06410	NUT, FLANGE 6		3		8004
5	85100-BA1-001	HARNESS, MAIN		1		8005
6	81902-BA2-000	CLIP, COUPLER HOLDER		1	Δ 2 2022/06/15	8006
7	84200-B88-000	RELAY, CHUTE		1		8007
8	84200-B56-000	RELAY, MOTOR		2		8008
9	93100-0601617	BOLT, FLANGE 6 × 16		3	Δ 1 2022/01/28	8009
10	83100-B82-000	SWITCH, MAIN		1		8010
11	88901-B82-000	COVER, KEY		1		8011
12	88902-B81-030	COVER, KEY SWITCH		1		8012
13	84300-G31-000	SWITCH, SEESAW		1		8013
14	83902-B96-000	CAP, SWITCH		1		8014
15	91310-150	BAND, PRT1.5S		3	Δ 6 2025/06/10	8015
16	91310-300	BAND, PRT3S		5	Δ 5 2025/06/10	8016
17	91314-119P7	STRAP, CABLE 1-19P7		1	Δ 2 2025/06/10	8017
18	91382-2202001	CORRUGATE, 22 × 200		1		8018
19	91314-11765	STRAP, CABLE 1-1765		1	Δ 1 2025/05/16	8019



No	Product Number	Product Name	ST	Qty	Rev. Date	No
1	91890-040B19L	BATTERY, 40B19L		1		8101
2	89902-M56-002	RUBBER, ANTIVIBRATION		1		8102
3	86901-BA2-800	CLAMP, BATTERY	B2	1	Δ 1 2022/01/28	8103
4	86902-B96-000	BOLT, BATTERY SET	M1	1	Δ 1 2022/01/28	8104
5	94001-06412	NUT, 6		2	Δ 1 2022/01/28	8105
6	88906-B96-031	COVER, BATTERY		1		8106
7	91242-0821	NUT, KNOB 8		1		8107
8	31600-ZE2-861	RECTIFIER ASSY		1		8108
9	08700-BA1-802	BRACKET COMP, REGULATOR	B2	1		8109
10	-					8110
11	94002-06410	NUT, FLANGE 6		2		8111
12	91193-018	LABEL, BATTERY DANGER		1		8112
13	-					8113



No	Product Number	Product Name	ST	Qty	Rev. Date	No
1	79902-BA1-000	MARK, ENGINE SWITCH		1		9001
2	79903-B96-002	MARK, THROTTLE		1		9002
3	79904-B96-003	MARK, SPEED SHIFTING		1		9003
4	79933-B96-000	MARK, TRAVEL CLUTCH		1		9004
5	79946-B96-000	LABEL, WARNING		1		9005
6	79936-B96-000	MARK, AUGER CLUTCH		1		9006
7	79937-B96-000	MARK, AUGER HEIGHT		1		9007
8	79911-BA1-000	MARK, SXC965		1		9008
9	79910-B96-004	MARK, CHUTE		1		9009
10	91195-023	LABEL, COVER CAUTION		1		9010
11	-					9011
12	91195-020	LABEL, MUFFLER CAUTION		1		9012
13	79940-B96-001	MARK, NOISE		1		9013
14	79903-BA1-000	MARK, CE		1		9014
15	79912-B97-001	MARK, WADO		1		9015
16	79904-B89-000	LABEL, WADO 78		1		9016
17	79964-BA1-000	MARK, FUSE		1		9017
18	91907-001	-		1		9018
19	91193-017	LABEL, FUEL DANGER		1		9019
20	79910-BA3-002	MARK, WADO PbH		1		9020
21	-					9021
22	-					9022

No	Product Number	Product Name	ST	Qty	Rev. Date	No
1	90001-B96-004	BOLT ASSY, SHEAR 6 × 25		1		9101
2	91905-B56-000	WRENCH 10, COMBINATION		2		9102
3	91901-BA1-002	INSTRUCTION MANUAL		1	Δ 2 2024/03/12	9103
4	91903-001	CERTIFICATE, INSPECTION PASS		1		9104
5	-					9105
6	91811-115	FUSE, BLADE 15A		1		9106
7	91811-130	FUSE, BLADE 30A		2		9107
8	90002-B96-000	CASE, TOOL		1		9108
9	91998-031215	BAG, POLY 0.03 × 120 × 150		1		9109
10	91998-030812	BAG, POLY 0.03 × 80 × 120		1		9110
11	91997-240325	BAG, AIR CUSHION 240 × 325		2		9111
12	-					9112
13	91981-280080	-		0.5		9113
14	91981-117430	-		0.5		9114
15	91971-11	-		0.1		9115

