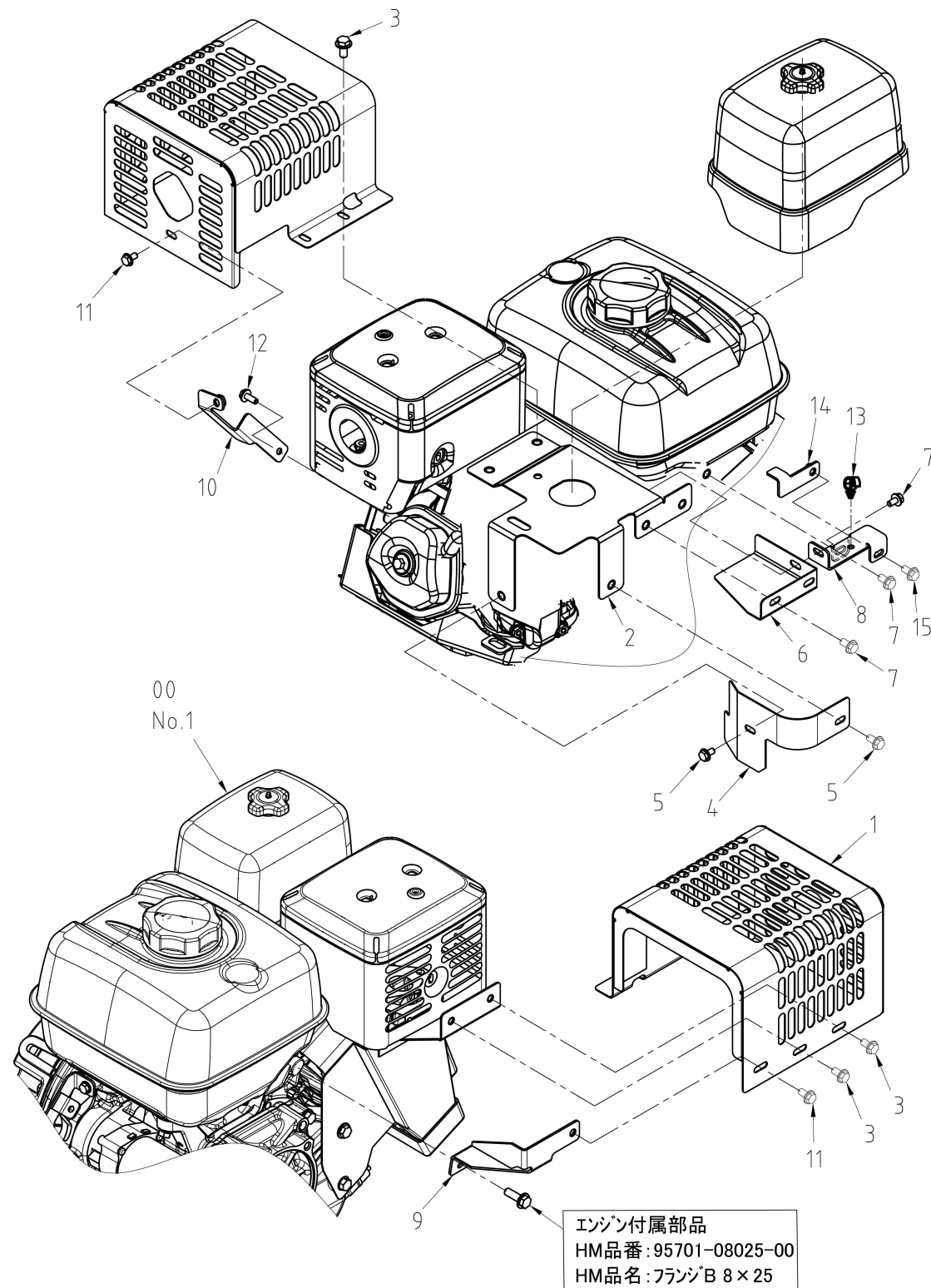
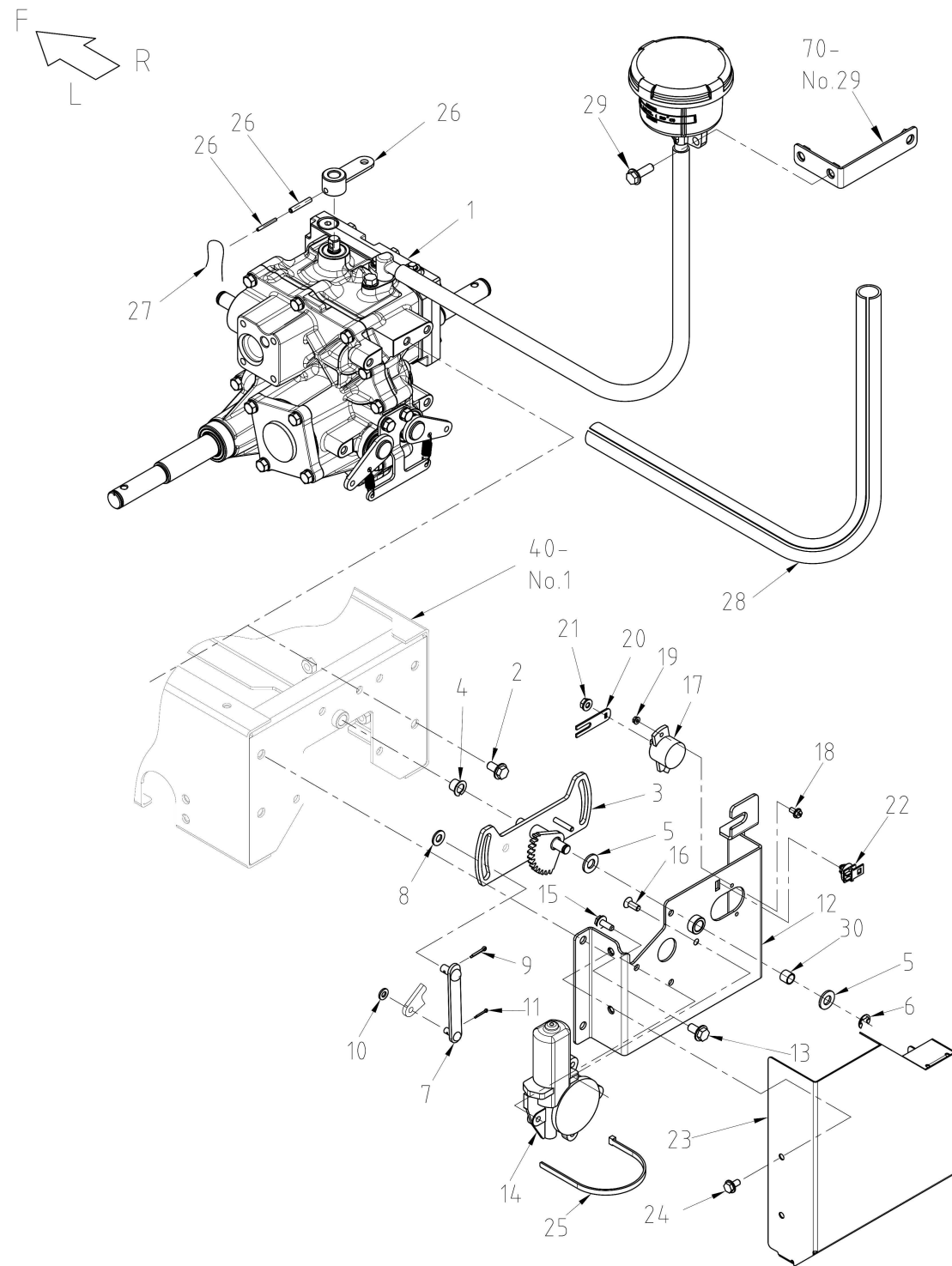


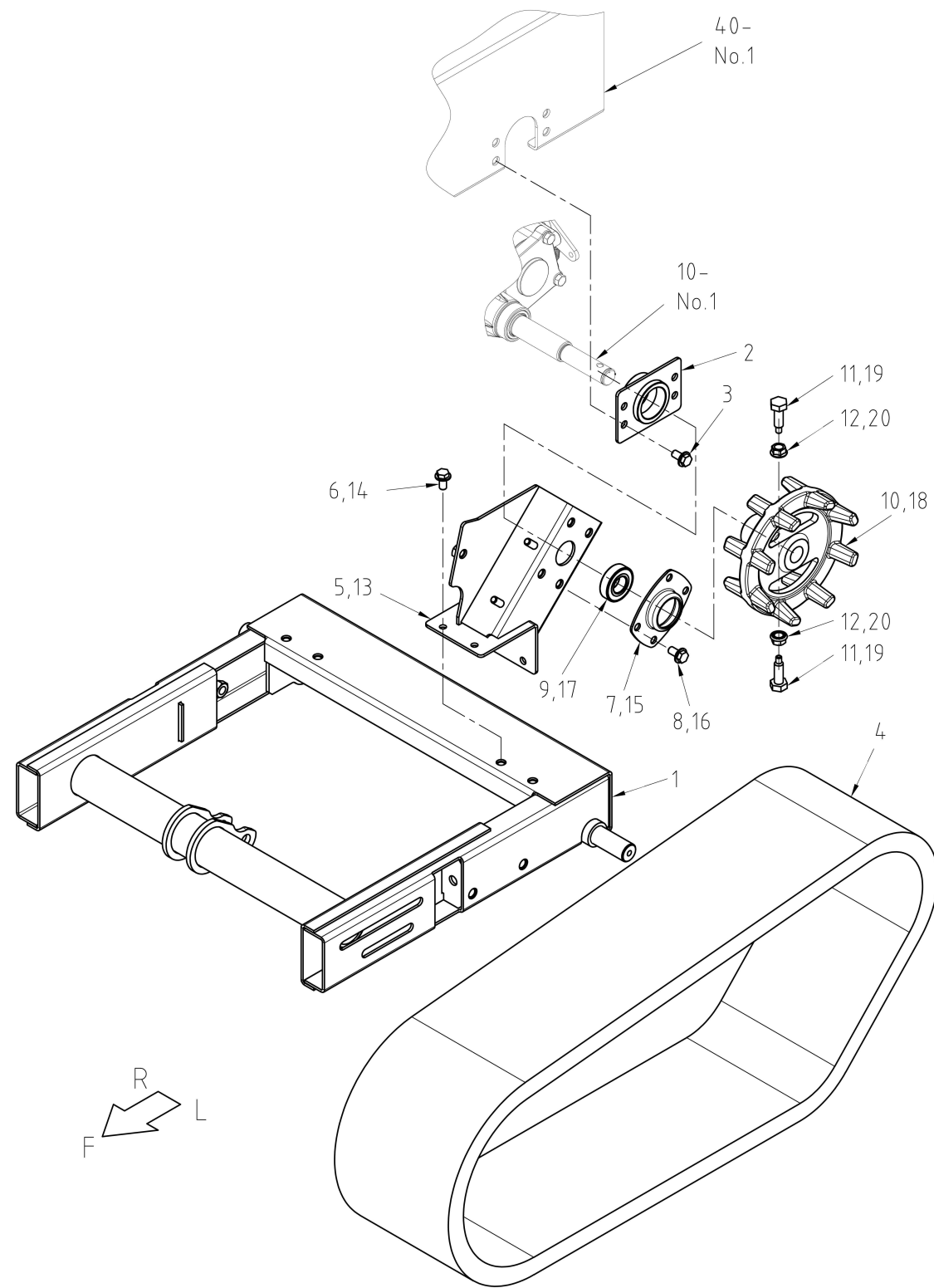
No	Product Number	Product Name	ST	Qty	Rev. Date	No
1	01007-B96-030	ENGINE, GX390T2 SWD4		1		1
2	94006-10410	NUT, FLANGE 10×1.25		4		2
3	91911-02	GASOLINE		1	Δ 1 2024/11/21	3
4	91921-05306	OIL, GASOLINE ENGINE 5W-30		1.1		4
5	05901-BA3-000	COVER, RECOIL		1		5
6	48911-B96-001	BOLT, SHOULDER 6×9S	M2B	3		6
7	91382-0701701	CORRUGATE 7×170		1		7
8	-					8
9	02901-BA3-701	PULLEY, ENGINE		1		9
10	-					10
11	91251-0835451	WASHER, RD 8×35×4.5	M1	1		11
12	93100-0802517	BOLT, FLANGE 8×25		1		12
13	05200-BA3-001	COVER B COMP, ENGINE	H0	1	Δ 1 2024/11/21	13
14	93100-0801617	BOLT, FLANGE 8×16		1	Δ 1 2024/11/21	14
15	02902-B96-000	COVER A, ENGINE		1		15
16	-					16
17	08500-BA3-801	CATCH COMP, HOOK	B2	1		17
18	48905-B96-000	BOLT, SHOULDER 6×9	M0	1		18
19	48912-B96-000	BOLT, SHOULDER 8×14		1		19
20	48913-B96-000	BOLT, SHOULDER 6×9L	M2B	1		20
21	91314-119P7	STRAP, CABLE 1-19P7		2		24
22	91310-150	BAND, PRT1.5S		1		35



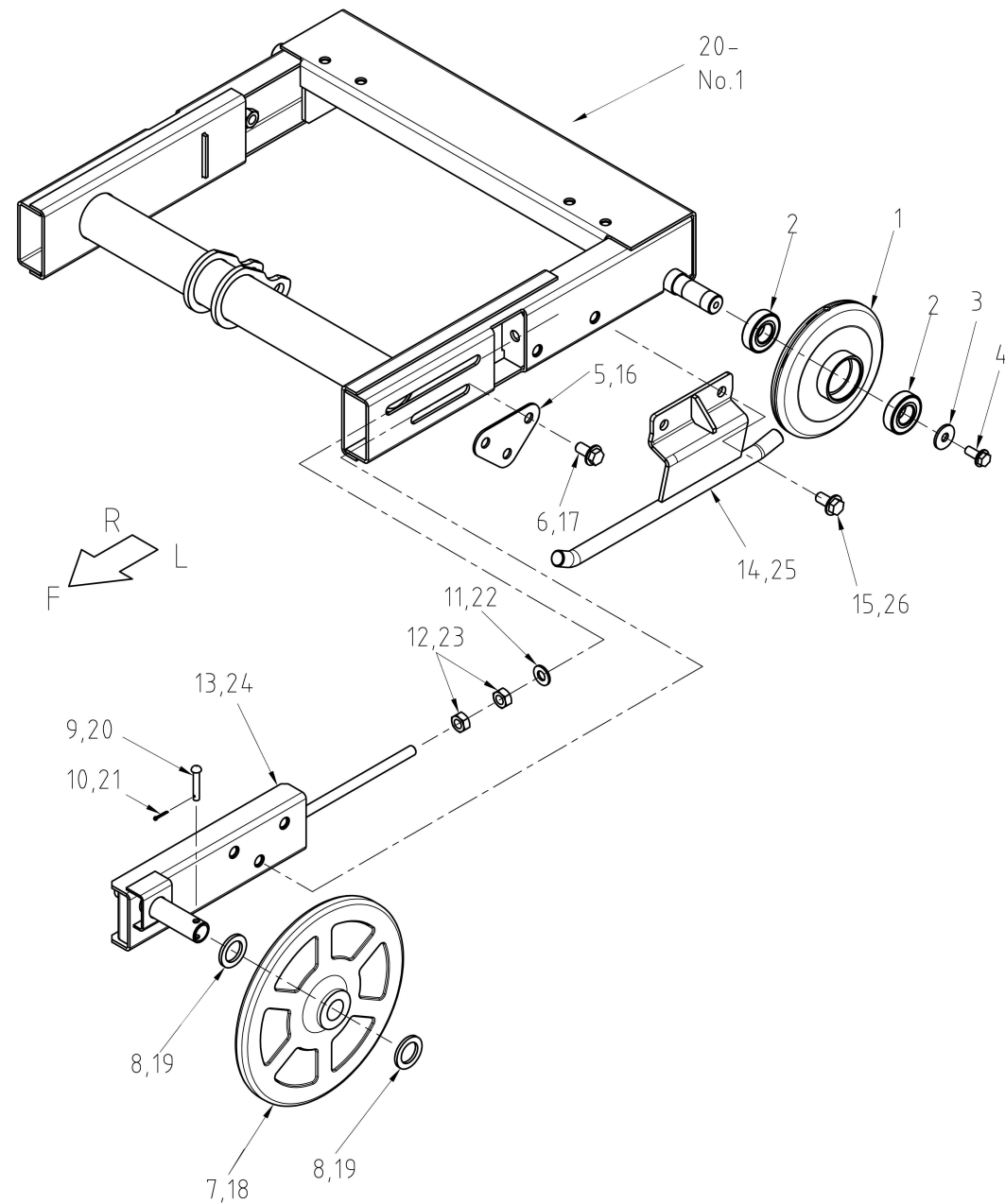
No	Product Number	Product Name	ST	Qty	Rev. Date	No
1	05300-BA3-000	COVER COMP, MUFFLER	H0	1		51
2	04200-B96-800	BASE COMP, ENGINE COVER	B2	1		52
3	93100-0601217	BOLT, FLANGE 6 x 12		4		53
4	04902-B96-801	COVER, AIR CLEANER	B2	1	Δ 1 2024/11/13	54
5	93100-0601017	BOLT, FLANGE 6 x 10		2		55
6	04600-B96-800	COVER COMP, UNDER	B2	1		56
7	93100-0601217	BOLT, FLANGE 6 x 12		4		57
8	05902-BA3-801	STAY, JOINT	B2	1	Δ 1 2024/03/13	58
9	05400-BA3-800	STAY A COMP, MUFFLER COVER	B2	1		59
10	05500-BA3-800	STAY B COMP, MUFFLER COVER	B2	1		61
11	93100-0601217	BOLT, FLANGE 6 x 12		2		62
12	90013-883-000	BOLT, FRANGE 6 x 12		1		63
13	91315-A3455	CLIP, CABLE A-3455		1		64
14	05600-BA3-800	PLATE COMP, ADJUST	B2	1		65
15	93100-0601217	BOLT, FLANGE 6 x 12		1		66



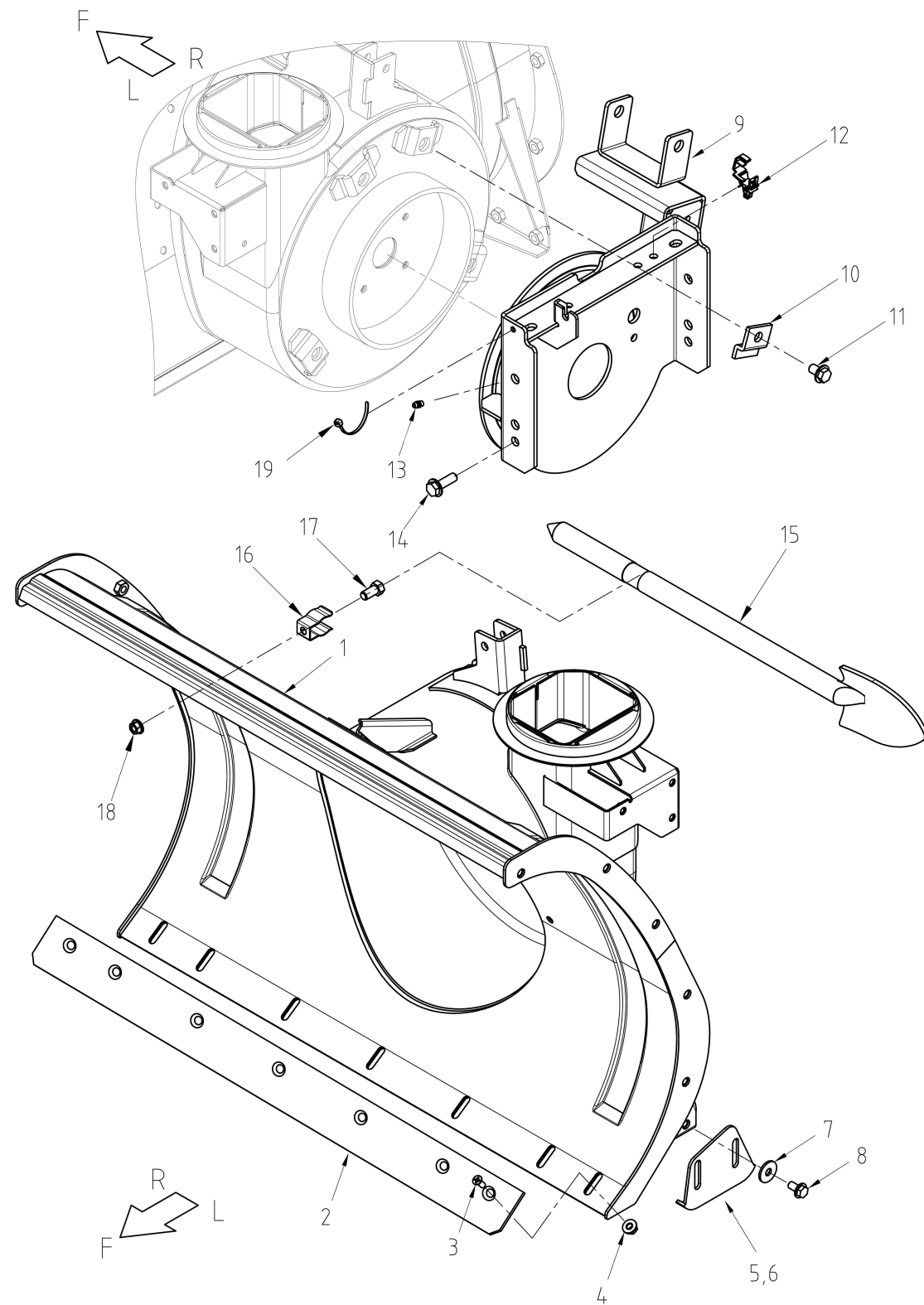
No	Product Number	Product Name	ST	Qty	Rev. Date	No
1	10001-B90-031	TRANSMISSION, SB-10SCS		1	Δ 1 2024/11/21	1001
2	93100-0801617	BOLT, FLANGE 8 × 16		5		1002
3	12200-BA3-830	ARM COMP, SEESAW	B2	1		1003
4	91642-1012R	BUSH, BM1012F18FS		1		1004
5	94101-10010	WASHER, PLAIN 10		2		1005
6	94511-08010	RING, E 8		1		1006
7	12400-B96-002	ARM COMP, BRAKE	M1	2		1007
8	94101-08010	WASHER, PLAIN 8		2		1008
9	94210-25150	PIN, SPLIT 2.5 × 15		2		1009
10	94101-06010	WASHER, PLAIN 6		2		1010
11	94210-20120	PIN, SPLIT 2 × 12		2		1011
12	12100-BA3-830	BASE COMP, MOTOR	B2	1		1012
13	93100-0801617	BOLT, FLANGE 8 × 16		4		1013
14	81100-B53-002	MOTOR, JC578VA		1		1014
15	93100-0601617	BOLT, FLANGE 6 × 16		3		1015
16	91217-0601674	BOLT, COUNTERSUNK HEX SOCKET 6 × 16		1		1016
17	83100-B89-001	SENSOR, ANGLE RPA211		1		1017
18	83902-B89-000	BOLT, FRANGE SL M4 × 12		2		1018
19	94002-04410	NUT, FLANGE 4		2		1019
20	89301-BA2-800	STAY, SIDE CLUTCH	B2	1		1020
21	94002-06410	NUT, FLANGE 6		1		1021
22	81901-BA2-000	CLIP, COUPLER		1		1022
23	18100-BA3-801	COVER COMP, SIDE CLUTCH	B2	1	Δ 1 2024/11/21	1023
24	93100-0601217	BOLT, FLANGE 6 × 12		4		1024
25	91310-300	BAND, PRT3S		1		1025
26	10002-B90-000	LEVER KIT, HST		1		1026
27	75913-B18-000	WIRE, 1.2 × 100		1		1027
28	91382-2204001	CORRUGATE, 22 × 400		1		1028
29	93100-0802017	BOLT, FLANGE 8 × 20		2		1029
30	91646-1015R	BUSH, BM1015FS		1	Δ 1 2025/07/24	1030



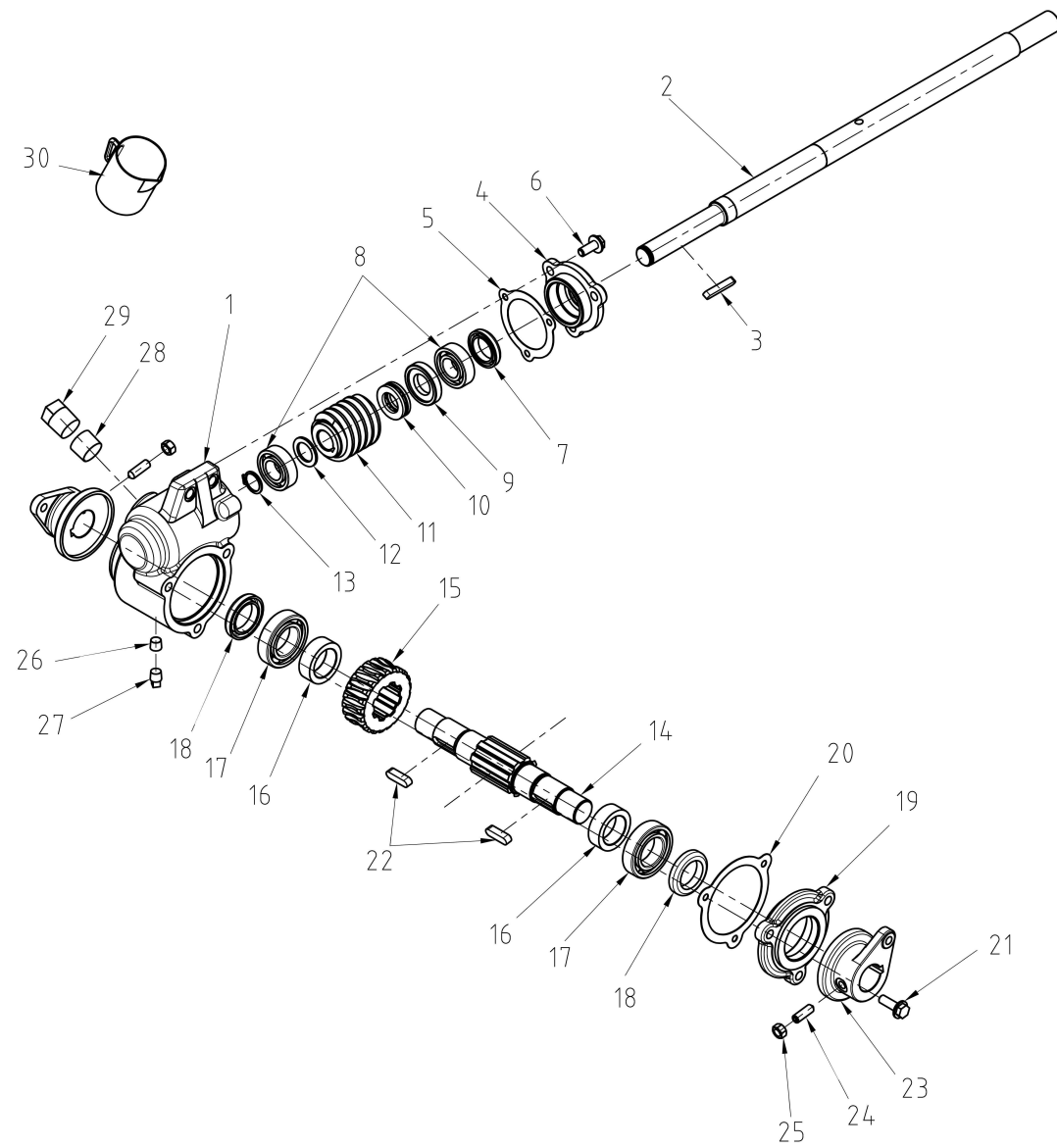
No	Product Number	Product Name	ST	Qty	Rev. Date	No
1	21100-BA3-803	FRAME COMP, CRAWLER	B2	1		2001
2	21800-BA3-800	SUPPORT COMP, MISSION	B2	2		2002
3	93100-0801617	BOLT, FLANGE 8 × 16		8		2003
4	23901-BA3-000	CRAWLER, 120 × 60 × 31		2		2004
5	22100-BA3-800	SUPPORT L COMP, AXLE	B2	1		2006
6	93100-0801617	BOLT, FLANGE 8 × 16		4		2007
7	22902-B96-000	CASE, BEARING 6004	M1	1		2008
8	93100-0801617	BOLT, FLANGE 8 × 16		4		2009
9	96105-06004	BEARING, 6004UU		1		2010
10	26901-BA3-830	SPROCKET, DRIVE	B2	1	Δ 2 2024/11/21	2011
11	26903-BA3-002	PIN, DRIVE	M1B	2	Δ 2024/07/23	2012
12	91248-1001	NUT, FRANGE SERRATE 10		2		2013
13	22200-BA3-800	SUPPORT R COMP, AXLE	B2	1		2015
14	93100-0801617	BOLT, FLANGE 8 × 16		4		2016
15	22902-B96-000	CASE, BEARING 6004	M1	1		2017
16	93100-0801617	BOLT, FLANGE 8 × 16		4		2018
17	96105-06004	BEARING, 6004UU		1		2019
18	26901-BA3-830	SPROCKET, DRIVE	B2	1	Δ 2 2024/11/21	2020
19	26903-BA3-002	PIN, DRIVE	M1B	2	Δ 2024/07/23	2021
20	91248-1001	NUT, FRANGE SERRATE 10		2		2022



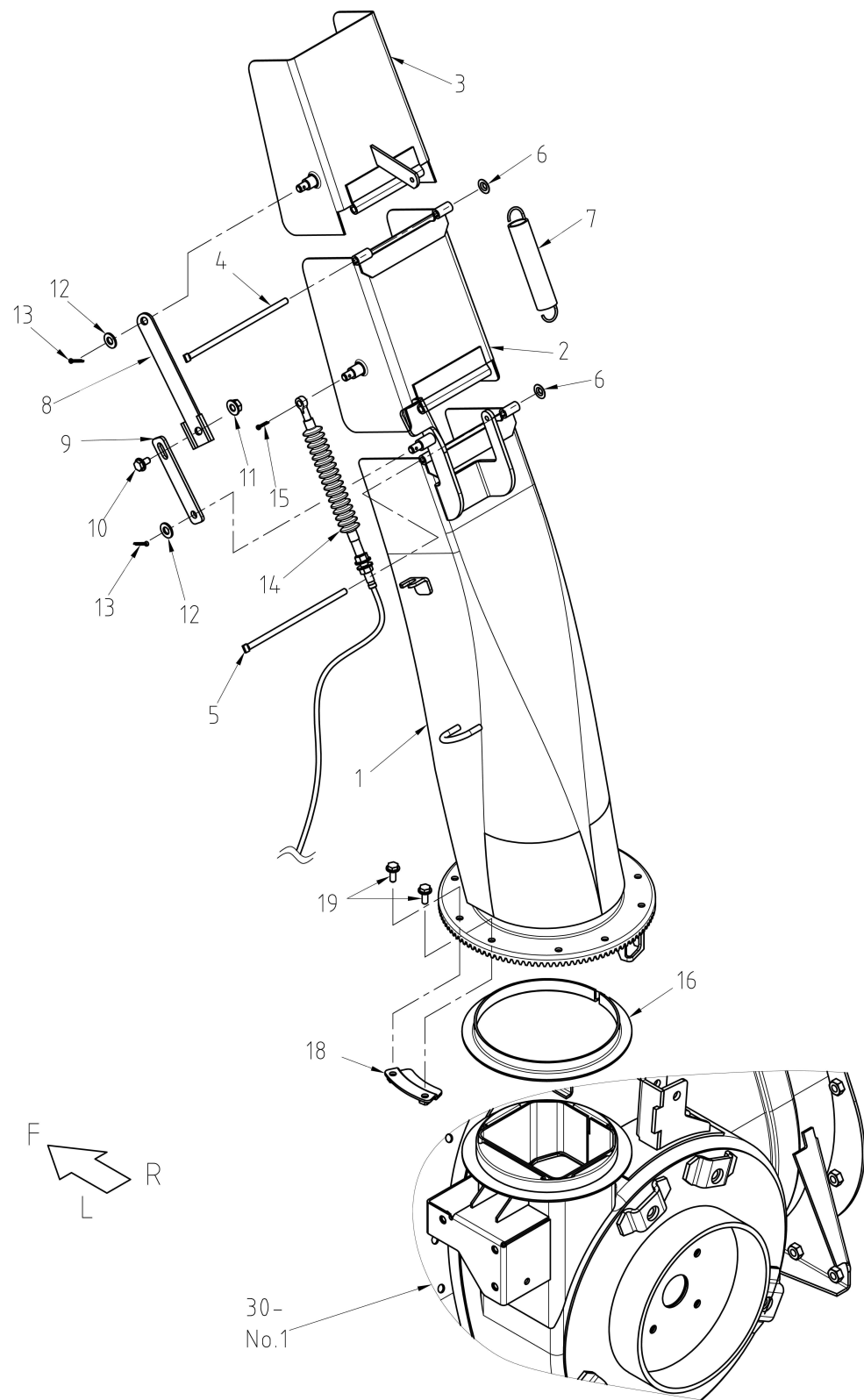
No	Product Number	Product Name	ST	Qty	Rev. Date	No
1	26300-BA3-801	WHEEL COMP, REAR	B2	2		2101
2	96105-06004	BEARING, 6004UU		4		2102
3	94101-08015	WASHER, PLAIN 8		2		2103
4	93100-0802017	BOLT, FLANGE 8 × 20		2		2104
5	22901-BA3-800	PLATE	B2	1		2105
6	93300-1002017	BOLT, FLANGE 10 × 1.25 × 20		3		2106
7	22901-B96-001	WHEEL, DRIVEN		1		2107
8	91251-2235321	WASHER, RD 22 × 35 × 3.2	M1	2		2108
9	94330-0603510	PIN, 6 × 35		1		2109
10	94210-20120	PIN, SPLIT 2 × 12		1		2110
11	94101-10010	WASHER, PLAIN 10		1		2111
12	94001-10412	NUT, 10		2		2112
13	21200-BA3-802	ARM L COMP, WHEEL	B2	1		2113
14	22300-BA3-800	GUIDE L COMP, CRAWLER	B2	1		2114
15	93300-1002017	BOLT, FLANGE 10 × 1.25 × 20		2		2115
16	22901-BA3-800	PLATE	B2	1		2116
17	93300-1002017	BOLT, FLANGE 10 × 1.25 × 20		3		2117
18	22901-B96-001	WHEEL, DRIVEN		1		2118
19	91251-2235321	WASHER, RD 22 × 35 × 3.2	M1	2		2119
20	94330-0603510	PIN, 6 × 35		1		2120
21	94210-20120	PIN, SPLIT 2 × 12		1		2121
22	94101-10010	WASHER, PLAIN 10		1		2122
23	94001-10412	NUT, 10		2		2123
24	21300-BA3-802	ARM R COMP, WHEEL	B2	1		2124
25	22400-BA3-800	GUIDE R COMP, CRAWLER	B2	1		2125
26	93300-1002017	BOLT, FLANGE 10 × 1.25 × 20		2		2126



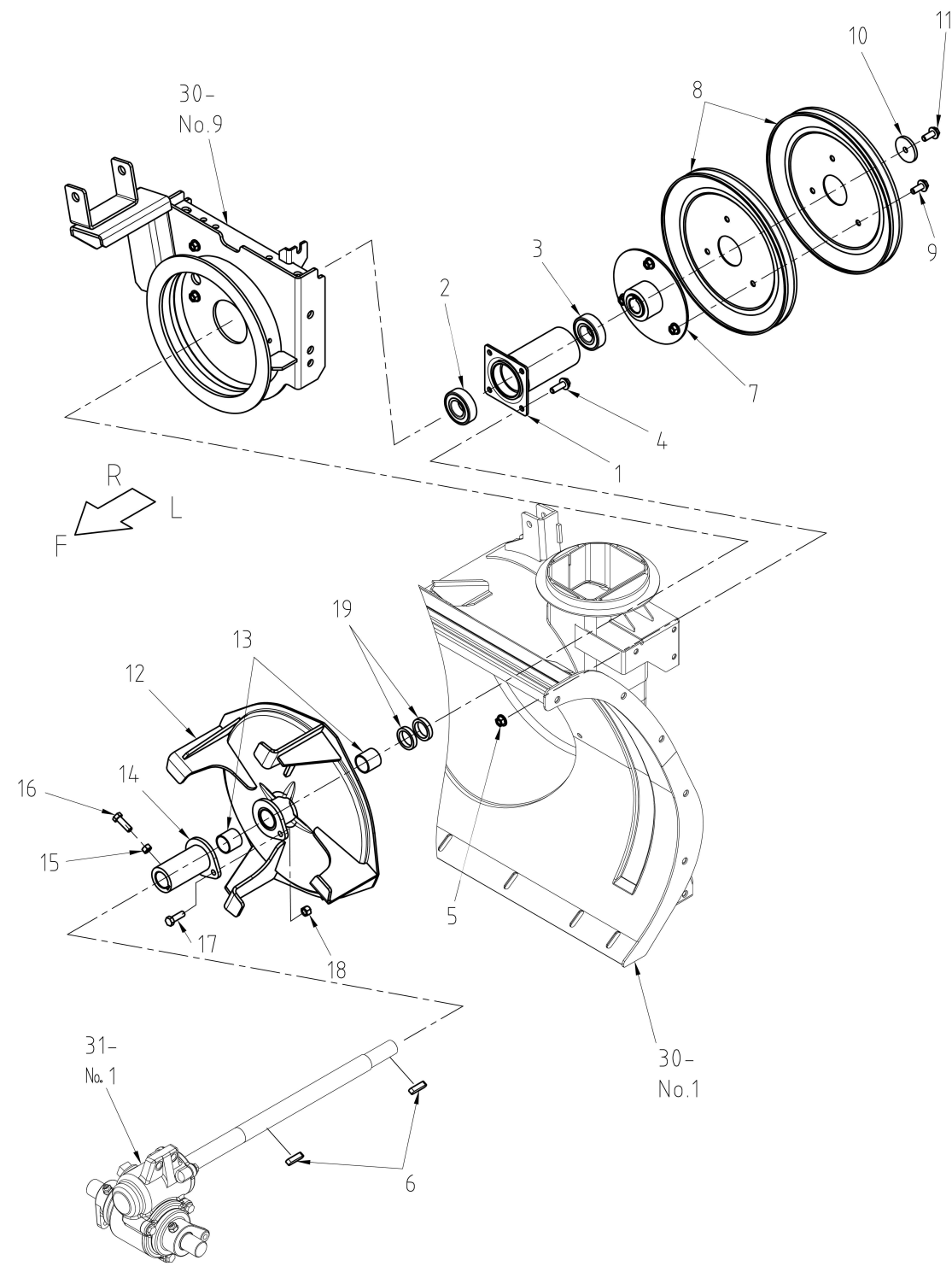
No	Product Number	Product Name	ST	Qty	Rev. Date	No
1	31200-BA3-000	HOUSING COMP, AUGER	R6M	1	Δ 1 2024/03/07	3001
2	31902-BA3-830	EDGE	B2	1		3003
3	93600-0801614	SCREW 8 × 16		7		3004
4	94002-08410	NUT, FLANGE 8		7		3005
5	31901-B02-801	SKID L	B2	1		3007
6	31902-B02-801	SKID R	B2	1		3008
7	94101-08015	WASHER, PLAIN 8		4		3009
8	93100-0802017	BOLT, FLANGE 8 × 20		4		3010
9	42300-BA3-803	BRACKET COMP, AUGER HOUSING	B2	1		3012
10	76719-V15-0003	GUIDE ROLLING	B2	4		3013
11	93300-1001617	BOLT, FLANGE 10 × 1.25 × 16		4		3014
12	91315-C1U68	CLIP, CABLE C-1U68		3		3015
13	96381-20000	NIPPLE, GREASE A-MT6 × 1		1		3016
14	93300-1002017	BOLT, FLANGE 10 × 1.25 × 20		8		3017
15	39901-B51-001	BAR, SNOW CLEANING		1		3019
16	39902-A65-001	HOLDER, BAR		2		3020
17	92200-0801617	BOLT, 8 × 16		2		3021
18	94002-08410	NUT, FLANGE 8		2		3022
19	91310-150	BAND, PRT1.5S		1		3023



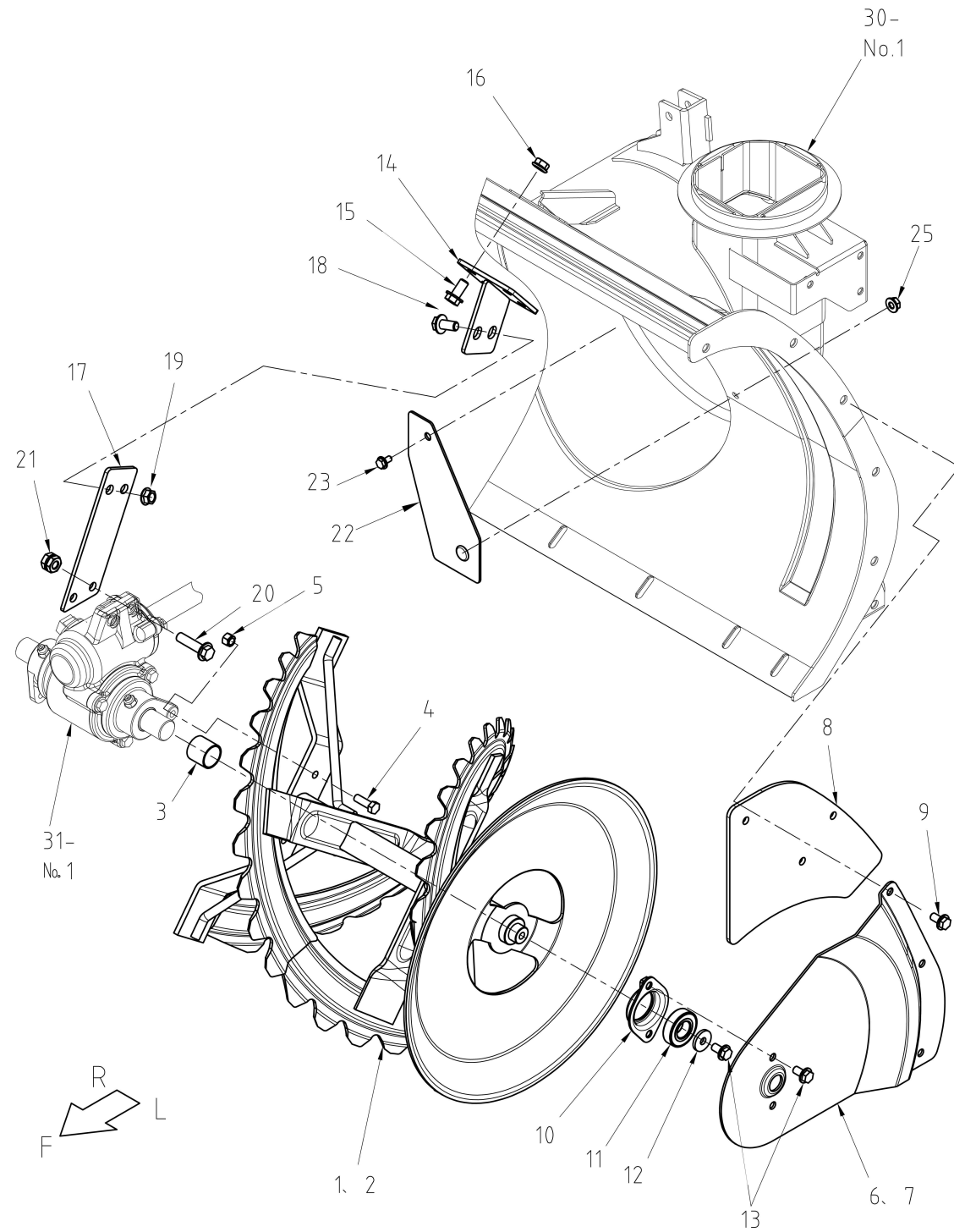
No	Product Number	Product Name	ST	Qty	Rev. Date	No
1	34901-B51-700	CASE, AUGER GEAR	B3M	1		3051
2	34901-BA3-700	SHAFT, BLOWER	B3M	1		3052
3	97113-038241	KEY, 6 x 6 x 38RR		1		3053
4	31904-A31-701	COVER A, AUGER GEAR CASE	B3M	1		3054
5	39901-A31-002	PACKING A, AUGER GEAR CASE		1		3055
6	93100-0802017	BOLT, FLANGE 8 x 20		3		3056
7	98251-2503807	SEAL, OIL D25387		1		3057
8	96100-06004	BEARING, 6004		2		3058
9	32904-A31-001	COLLAR, THRUST		1		3059
10	96200-051104	BEARING, THRUST 51104		1		3060
11	73251-V15-F002	GEAR, DRIVE		1		3061
12	91912-A05-001	WASHER, RD 20 x 30 x 2	M1	1		3062
13	94510-20080	CIRCLIP, EX 20		1		3063
14	34902-BA3-000	SHAFT, AUGER		1		3065
15	73211-V15-N001	GEAR, DRIVEN		1		3066
16	34903-BA3-000	COLLAR, 30 x 14		2		3067
17	96100-06006	BEARING, 6006		2		3068
18	98251-3004508	SEAL, OIL D30458		2		3069
19	31905-A31-000	COVER B, AUGER GEAR CASE		1		3070
20	39902-A31-002	PACKING B, AUGER GEAR CASE		1		3071
21	93100-0802517	BOLT, FLANGE 8 x 25		3		3072
22	97115-028241	KEY, 8 x 7 x 28RR		2		3073
23	35901-B43-800	FLANGE, AUGER SHEAR	B2	2		3074
24	91221-082540	BOLT, HEX SOCKET 8 x 25		2		3075
25	94003-08412	NUT, SMALL 8		2		3076
26	91941-050	TAPE, SEAL 50		1		3078
27	91555-0141	PLUG, PT1/8		1		3079
28	91941-150	TAPE, SEAL 150		1		3080
29	91555-0641	PLUG, PT3/4		1		3081
30	91931-090	OIL, GEAR #90		1		3082



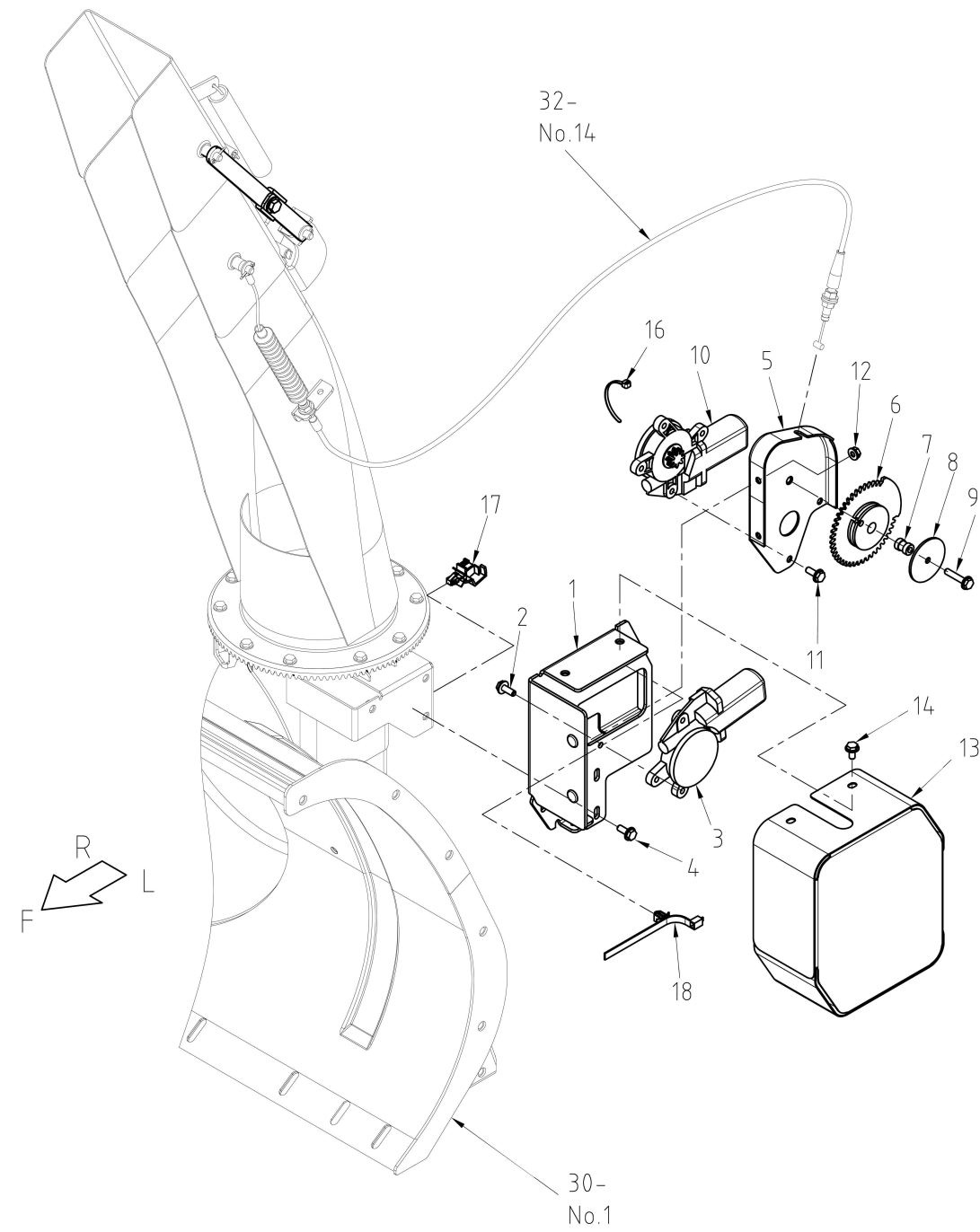
No	Product Number	Product Name	ST	Qty	Rev. Date	No
1	33100-BA3-001	CHUTE COMP	R6	1	Δ 1 2026/03/05	3101
2	33200-BA3-802	DEFLECTOR A COMP, CHUTE	B2	1	Δ 2 2026/03/05	3102
3	33300-BA3-802	DEFLECTOR B COMP, CHUTE	B2	1	Δ 2 2026/03/05	3103
4	33903-B66-000	PIN, CHUTE	M1	1		3104
5	33906-BA3-000	PIN, CHUTE	M1	1		3105
6	91243-06000	NUT, PUSH 6		2		3106
7	33904-B01-104	SPRING, COIL 19.7 × 127	M0B	1		3107
8	33901-BA3-801	LINK A, CHUTE	B2	1		3108
9	33902-BA3-803	LINK B, CHUTE	B2	1	Δ 3 2026/03/05	3109
10	93100-0801617	BOLT, FLANGE 8 × 16		1		3110
11	94002-08410	NUT, FLANGE 8		1		3111
12	94101-08010	WASHER, PLAIN 8		2		3112
13	94210-25150	PIN, SPLIT 2.5 × 15		2		3113
14	77400-BA3-000	WIRE, CHUTER		1		3115
15	94210-25150	PIN, SPLIT 2.5 × 15		1		3116
16	33902-B01-000	SHEET, CHUTE		1		3118
17	-					3119
18	33600-B01-000	CLAMP COMP, CHUTE	M1	5		3120
19	93100-0601617	BOLT, FLANGE 6 × 16		10		3121



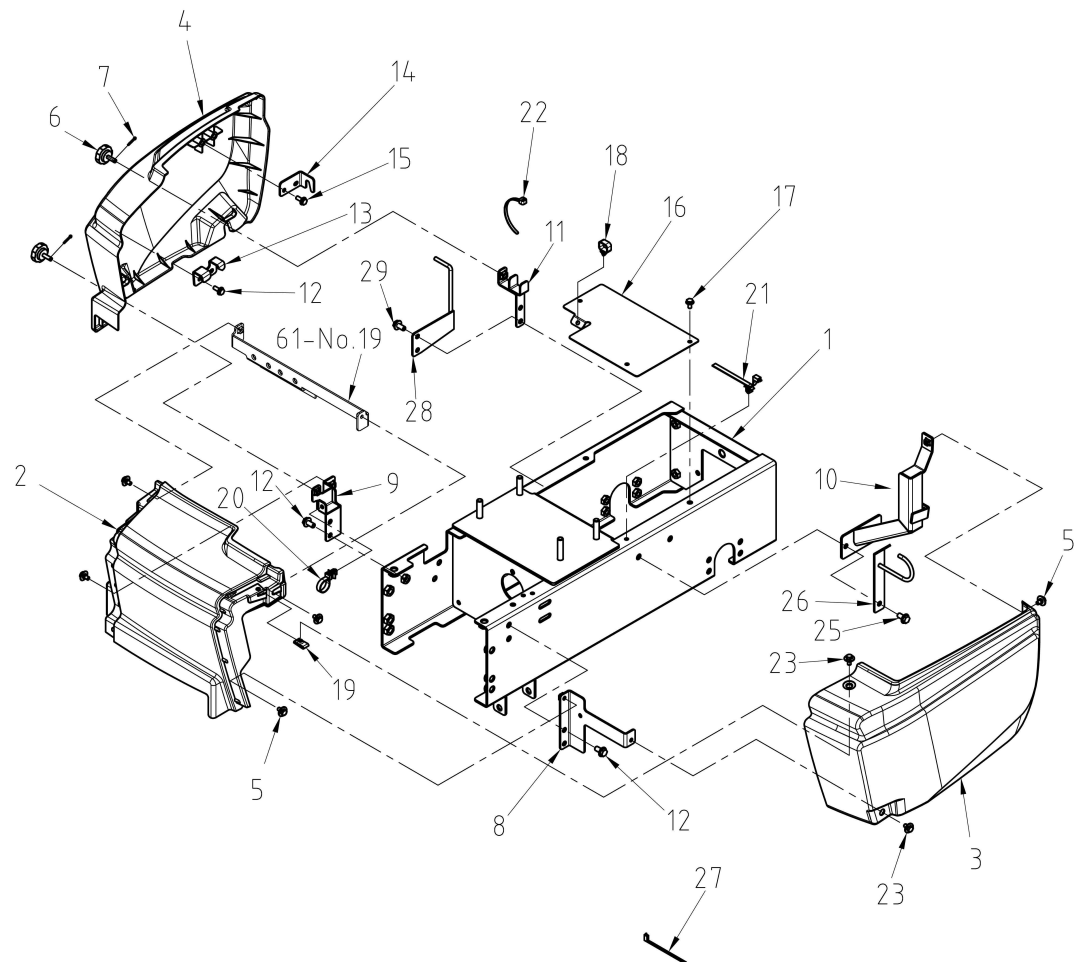
No	Product Number	Product Name	ST	Qty	Rev. Date	No
1	36100-BA3-800	HOUSING COMP, SHAFT	B2	1		3301
2	96105-06205	BEARING, 6205UU		1		3302
3	96105-06222	BEARING, 62/22UU		1		3303
4	93100-0802517	BOLT, FLANGE 8 × 25		4		3305
5	94002-08410	NUT, FLANGE 8		4		3306
6	97114-040241	KEY, 7 × 7 × 40RR		2		3307
7	63400-BA3-701	BOSS COMP, PULLEY	B3M	1		3308
8	63901-BA3-000	PULLEY, 215.9B	M1	2		3309
9	93100-0802017	BOLT, FLANGE 8 × 20		3		3310
10	91251-0840451	WASHER, RD 8 × 40 × 4.5	M1	1		3311
11	93100-0802017	BOLT, FLANGE 8 × 20		1		3312
12	36300-B01-802	BLOWER COMP	B2	1		3313
13	91646-2525	BUSH, BM2225FB		2		3314
14	36200-B39-800	FLANGE COMP, BLOWER SHEAR	B2	1		3315
15	94003-08412	NUT, SMALL 8		1		3316
16	91212-0825137	BOLT, POINTED 8 × 25		1		3317
17	92201-0802514	BOLT, 8 × 25		1		3318
18	91234-084110	NUT, TOUGH LOCK 8		1		3319
19	91251-2535321	WASHER, RD 25 × 35 × 3.2	M1	2		3320



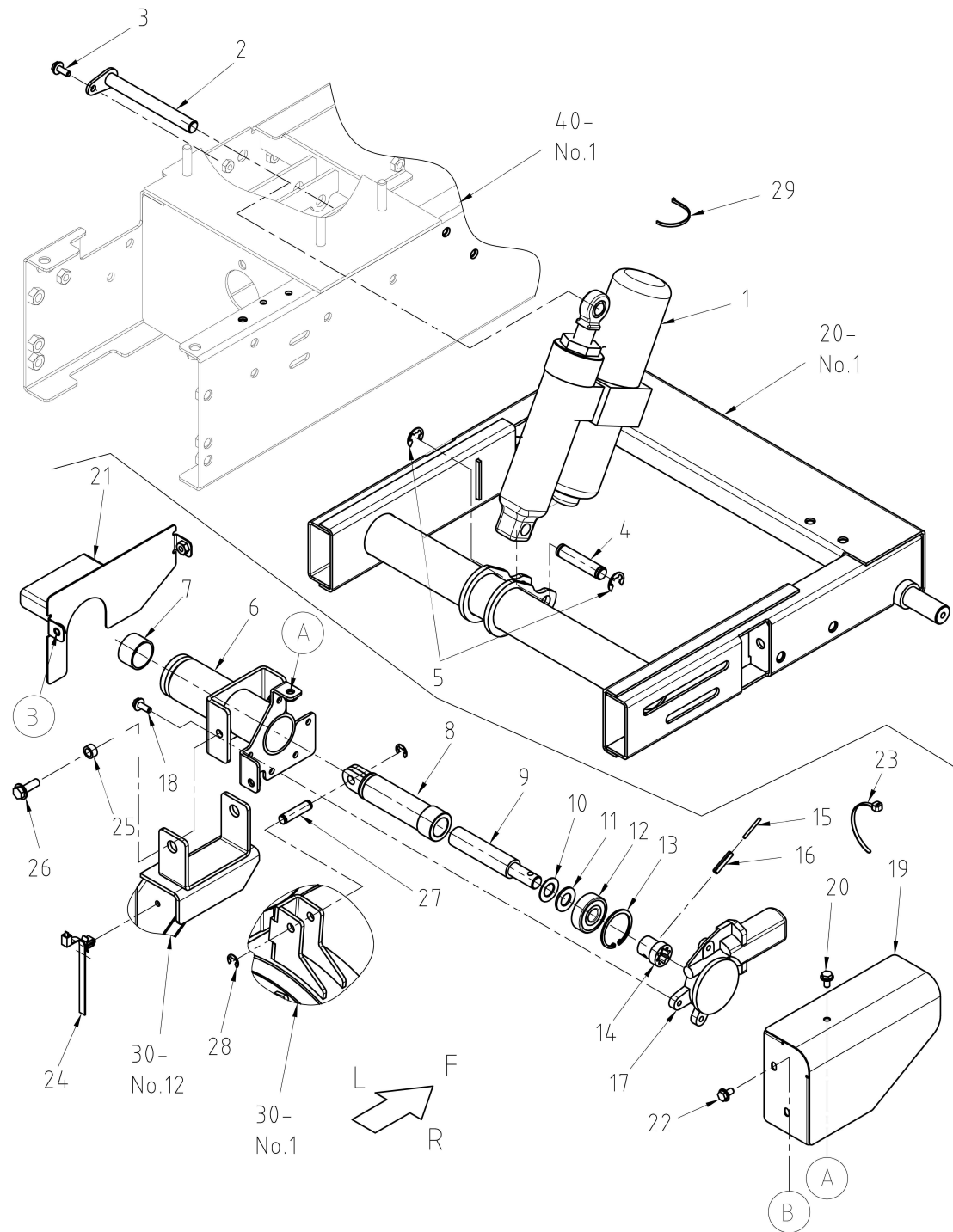
No	Product Number	Product Name	ST	Qty	Rev. Date	No
1	35700-B48-603F1	AUGER L COMP	B4M	1		3401
2	35800-B48-603F1	AUGER R COMP	B4M	1		3402
3	91646-2525	BUSH, BM2225FB		2		3403
4	92201-0802514	BOLT, 8 × 25		2		3404
5	91234-084110	NUT, TOUGH LOCK 8		2		3405
6	35901-BA3-500	SUPPORT L, AUGER SIDE	R6	1		3407
7	35902-BA3-500	SUPPORT R, AUGER SIDE	R6	1		3408
8	35903-BA3-800	COVER, AUGER SIDE UPPER	B2	2		3409
9	93100-0801617	BOLT, FLANGE 8 × 16		10		3410
10	35400-B01-001	CASE A COMP, BEARING	M1	2		3411
11	96105-06004	BEARING, 6004UU		2		3412
12	91251-0825321	WASHER, RD 8 × 25 × 3.2	M1	2		3413
13	93100-0801617	BOLT, FLANGE 8 × 16		6		3414
14	76715-V15-0003	BRKT A,AUGER HSG	B2	1		3415
15	93100-0802017	BOLT, FLANGE 8 × 20		4		3416
16	94002-08410	NUT, FLANGE 8		4		3417
17	76718-V15-0002	BRKT B,AUGER HSG	B2	1		3418
18	93300-1002017	BOLT, FLANGE 10 × 1.25 × 20		2		3419
19	94006-10410	NUT, FLANGE 10 × 1.25		2		3420
20	93300-1004017	BOLT, FLANGE 10 × 1.25 × 40		2		3421
21	91235-10110	NUT, HARD LOCK 10 × 1.25		2		3422
22	36200-BA3-800	PLATE COMP	B2	1		3423
23	93100-0802017	BOLT, FLANGE 8 × 20		1		3424
24	-					3425
25	94002-08410	NUT, FLANGE 8		2		3426



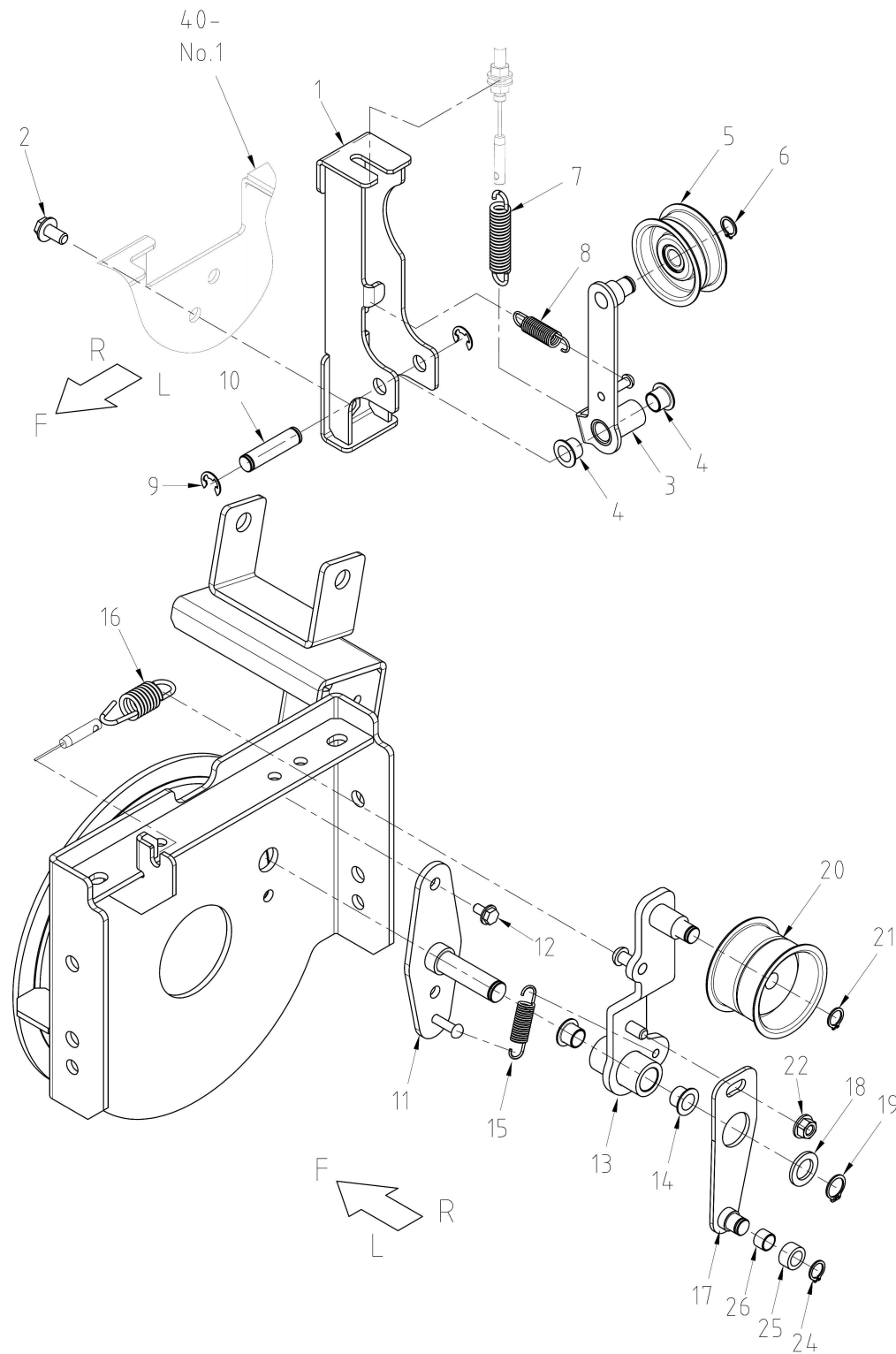
No	Product Number	Product Name	ST	Qty	Rev. Date	No
1	33400-BA3-802	BASE COMP, MOTOR	B2	1	Δ 1 2024/04/29	3501
2	93901-B88-000	BOLT, SL 6 × 16		3	Δ 1 2025/03/24	3502
3	81100-B53-002	MOTOR, JC578VA		1		3503
4	93100-0601617	BOLT, FLANGE 6 × 16		3		3504
5	33600-B39-802	BRACKET COMP, CHUTE MOTOR	B2	1		3505
6	33600-BA3-801	GEAR COMP, CHUTE	B2	1		3506
7	33902-B39-002	COLLAR, CHUTER	M1	1		3507
8	33905-BA3-801	WASHER, RD6 × 50 × 2.3	B2	1		3508
9	93100-0603017	BOLT, FLANGE 6 × 30		1		3509
10	81100-B53-002	MOTOR, JC578VA		1		3510
11	93901-B88-000	BOLT, SL 6 × 16		3	Δ 1 2025/03/24	3511
12	94002-06410	NUT, FLANGE 6		2		3512
13	38100-BA3-501	COVER COMP, MOTOR	R6C	1		3514
14	93100-0601257	BOLT, FLANGE 6 × 12		3		3515
16	91310-300	BAND, PRT3S		1		3517
17	91315-C1J77	CLIP, CABLE C-1J77		1		3518
18	91314-119P7	STRAP, CABLE 1-19P7		1		3519



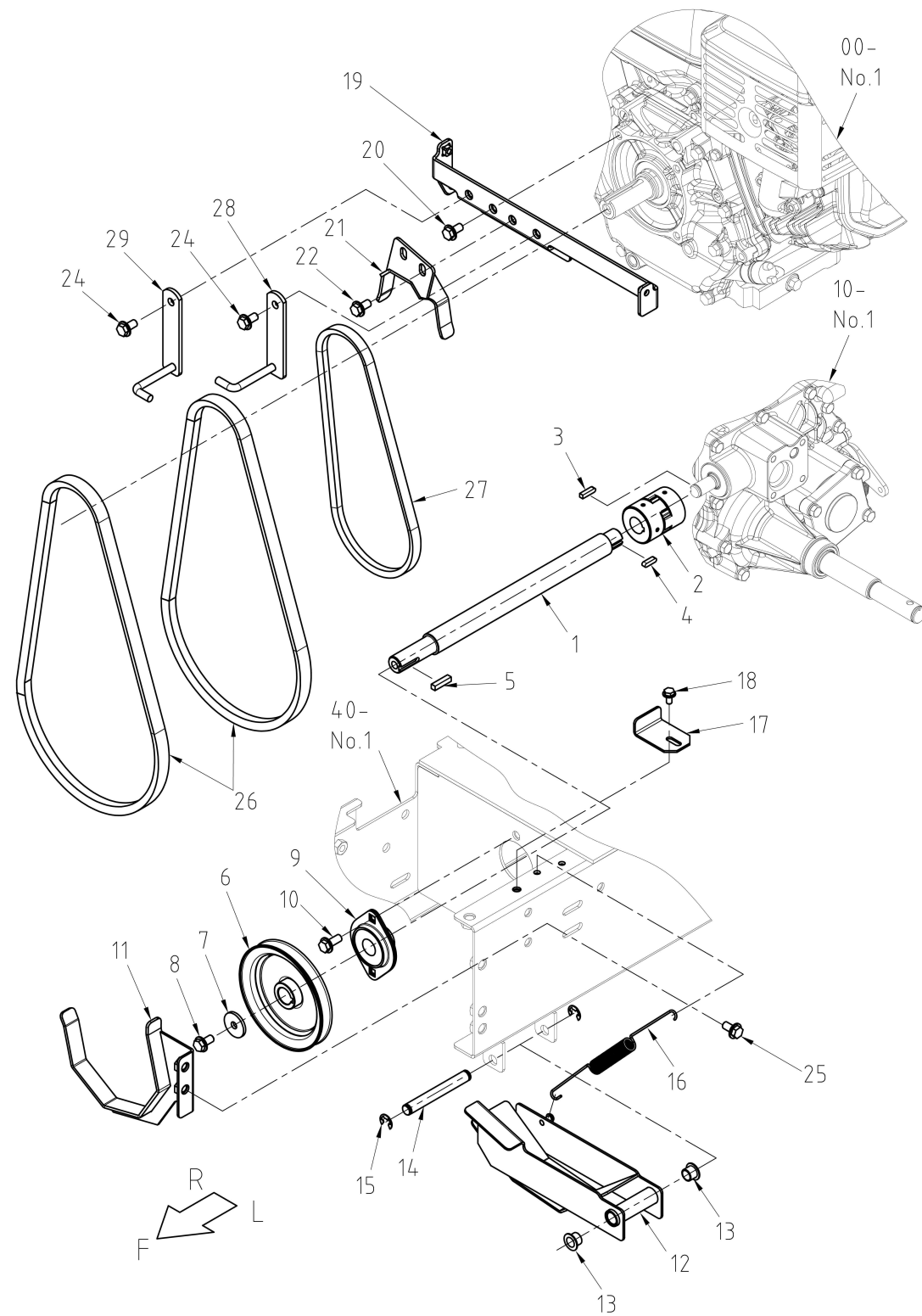
No	Product Number	Product Name	ST	Qty	Rev. Date	No
1	41200-BA3-802	FRAME H COMP, MAIN	B2M	1	Δ 1 2025/12/16	4001
2	48901-BA3-002	COVER C, ENGINE		1		4002
3	48902-BA3-002	COVER L, ENGINE		1		4003
4	47100-BA3-003	COVER R COMP, ENGINE		1		4004
5	48913-B96-000	BOLT, SHOULDER 6 × 9L	M2B	6		4005
6	93100-0802017	BOLT, FLANGE 8 × 20		2		4006
7	94101-08015	WASHER, PLAIN 8		2		4007
8	43100-BA3-800	STAY COMP, L FRONT	B2	1		4011
9	43200-BA3-800	STAY COMP, R FRONT	B2	1		4012
10	43500-BA3-801	STAY COMP, L REAR	B2	1	Δ 1 2024/04/29	4013
11	43400-BA3-800	STAY COMP, R REAR	B2	1		4014
12	93100-0801617	BOLT, FLANGE 8 × 16		4		4015
13	43901-BA3-800	HOOK, COVER FRONT	B2	1		4017
14	43902-BA3-800	HOOK, COVER REAR	B2	1		4018
15	93100-0601217	BOLT, FLANGE 6 × 12		4		4019
16	43903-BA3-800	COVER, GUARD	B2	1		4021
17	93100-0601217	BOLT, FLANGE 6 × 12		2		4022
18	91315-C1E50	CLIP, CABLE C-1E50		1		4025
19	91236-0640591	NUT, U CHIMNEY 40591(6)		1		4027
20	91314-11765	STRAP, CABLE 1-1765		1		4028
21	91314-119P7	STRAP, CABLE 1-19P7		3		4029
22	91310-150	BAND, PRT1.5S		1		4030
23	48905-B96-000	BOLT, SHOULDER 6 × 9	M0	2		4031
24	91315-A3455	CLIP, CABLE A-3455		1		4032
25	93100-0802017	BOLT, FLANGE 8 × 20		2		4033
26	43600-BA3-800	STAY A COMP, HARNESS	B2	1		4034
27	91310-150	BAND, PRT1.5S		3		4035
28	43800-BA3-800	STAY C COMP, HARNESS	B2	1		4036
29	93100-0802017	BOLT, FLANGE 8 × 20		2		4037



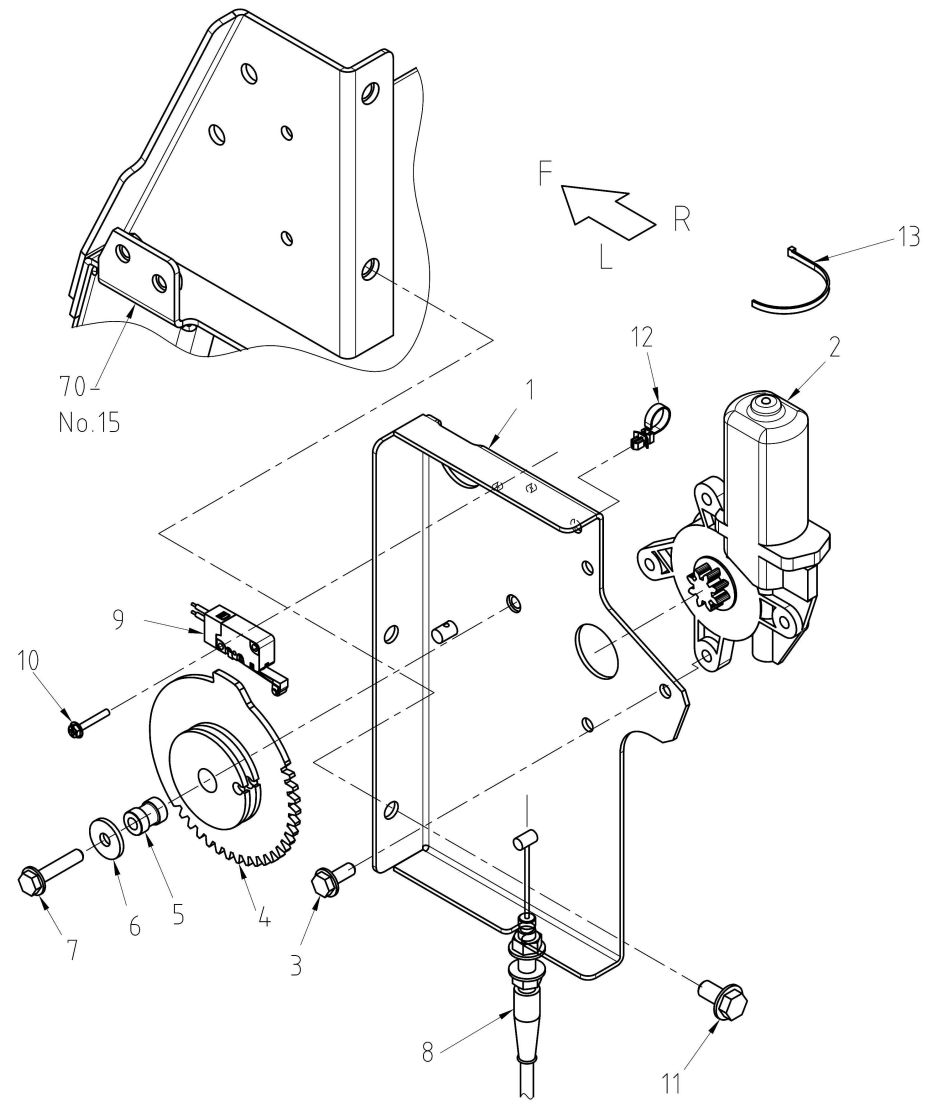
No	Product Number	Product Name	ST	Qty	Rev. Date	No
1	50001-BA3-000	CYLINDER ASSY, HEIGHT		1		5001
2	51100-BA3-701	PIN COMP, CYLINDER	B3M	1		5002
3	93100-0601617	BOLT, FLANGE 6 × 16		1		5003
4	54901-B43-001	PIN, CYLINDER 14 × 65	M1	1	Δ 1 2025/08/21	5004
5	94511-12010	RING, E 12		2		5005
6	53100-BA3-802	BASE COMP, CYLINDER	B2	1		5007
7	91646-3020R	BUSH, BM3540FS		1		5008
8	53200-BA3-001	ROD COMP, PISTON	M1	1		5009
9	53901-BA3-000	ROD,SCREW	M1	1		5010
10	91648-8315	WASHER, 85W-15		1		5011
11	91648-8015	WASHER, 80W-15		1		5012
12	96105-06302	BEARING, 6302UU		1		5013
13	94520-42080	CIRCLIP, IN 42		1		5014
14	53300-BA3-800	ADAPTER COMP	B2	1		5015
15	94319-30025	PIN, SPG 3 × 25		1		5016
16	94319-50025	PIN, SPG 5 × 25		1		5017
17	81100-B53-002	MOTOR, JC578VA		1		5018
18	93100-0601617	BOLT, FLANGE 6 × 16		4	Δ 2 2025/07/24	5019
19	54100-BA3-801	COVER A COMP, MOTOR	B2	1		5020
20	93100-0601257	BOLT, FLANGE 6 × 12		2		5021
21	54200-BA3-801	COVER B COMP, MOTOR	B2	1		5022
22	93100-0601257	BOLT, FLANGE 6 × 12		2		5023
23	91310-300	BAND, PRT3S		1		5024
24	91314-119P7	STRAP, CABLE 1-19P7		2		5025
25	02907-G20-000	COLLAR, 8 × 7	M1	2		5027
26	93100-0802017	BOLT, FLANGE 8 × 20		2		5028
27	53902-BA3-000	PIN, 10 × 42	M1	1		5029
28	94511-08010	RING, E 8		2		5030
29	91310-300	BAND, PRT3S		1		5031



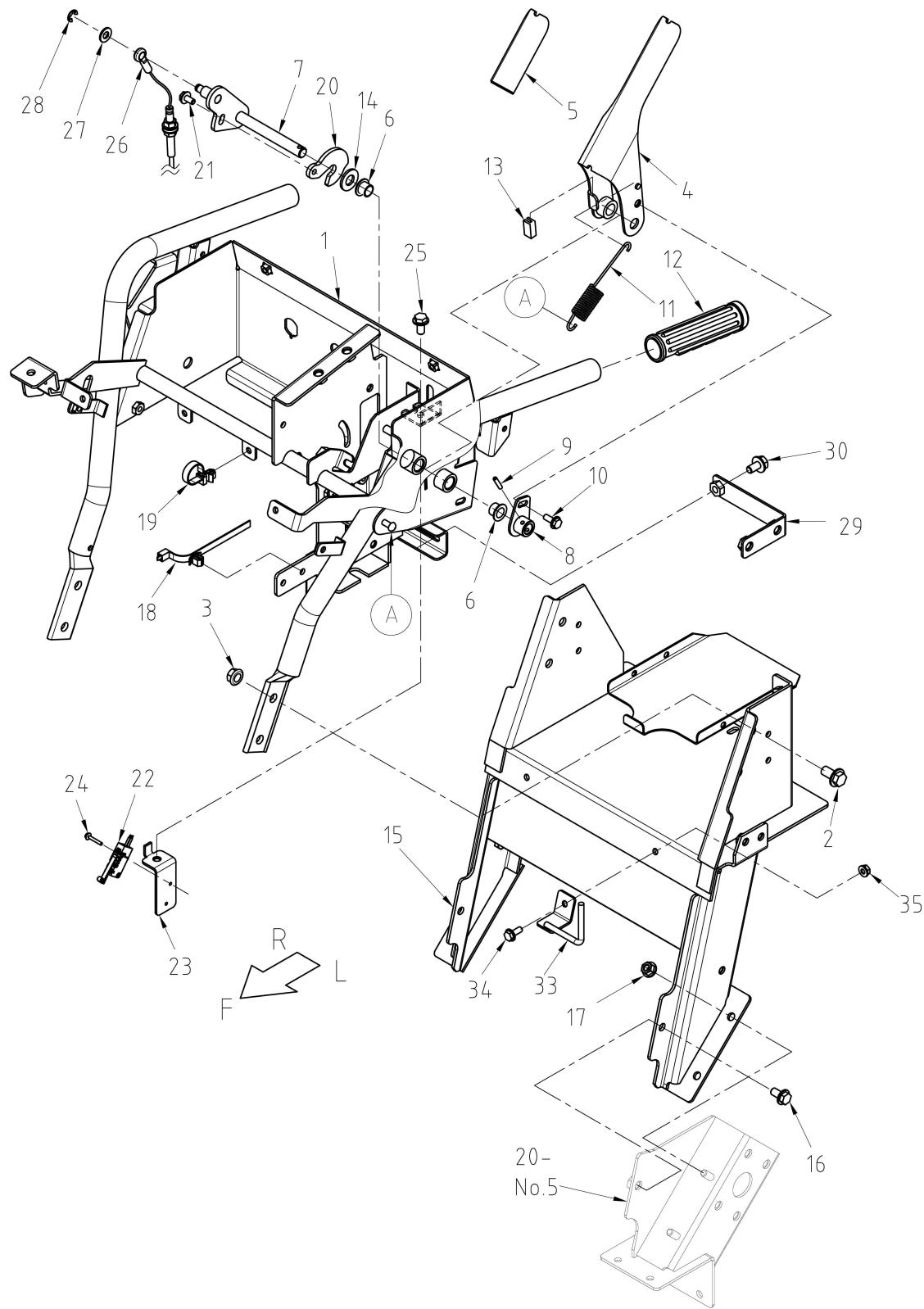
No	Product Number	Product Name	ST	Qty	Rev. Date	No
1	61300-BA3-801	BRACKET COMP, TENSION	B2	1		6001
2	93100-0801617	BOLT, FLANGE 8 × 16		2		6002
3	66200-BA3-700	ARM COMP, TRAVEL CLUTCH	B3M	1		6003
4	91644-121580	BUSH, 80F-1215		2		6004
5	91615-12552243	PULLEY, TENSION 55TB1		1		6005
6	94510-12080	CIRCLIP, EX 12		1		6006
7	71906-B96-000	SPRING, TRAVEL TENSION	M1B	1		6007
8	91603-B50-001	SPRING, COIL 10 × 50	M1B	1		6008
9	94511-09010	RING, E 9		2		6009
10	65901-BA3-000	PIN, 12 × 49	M1	1		6010
11	66400-BA3-800	SHAFT COMP, BLOWER TENSION	B2	1		6012
12	93100-0802017	BOLT, FLANGE 8 × 20		2		6013
13	66100-BA3-700	ARM COMP, AUGER CLUTCH	B3M	1		6014
14	91644-151580	BUSH, 80F-1515		2		6015
15	91603-B50-001	SPRING, COIL 10 × 50	M1B	1		6016
16	66902-B65-000	SPRING, COIL 16 × 60	M1B	1		6017
17	66700-BA3-801	PLATE COMP, TENSION ADJUSTER	B2	1		6018
18	91251-1525231	WASHER, RD 15 × 25 × 2.3	M1	1		6019
19	94510-15080	CIRCLIP, EX 15		1		6020
20	91615-12604443	PULLEY, TENSION 60TB2		1		6021
21	94510-12080	CIRCLIP, EX 12		1		6022
22	94002-08410	NUT, FLANGE 8		1		6023
23	-				Δ 1 2025/12/02	6024
24	94510-12080	CIRCLIP, EX 12		1		6025
25	65903-BA3-000	ROLLER, BRAKE	M1	1	Δ 1 2025/12/02	6026
26	91645-120880	BUSH, 80B-1208		1	Δ 1 2025/12/02	6027



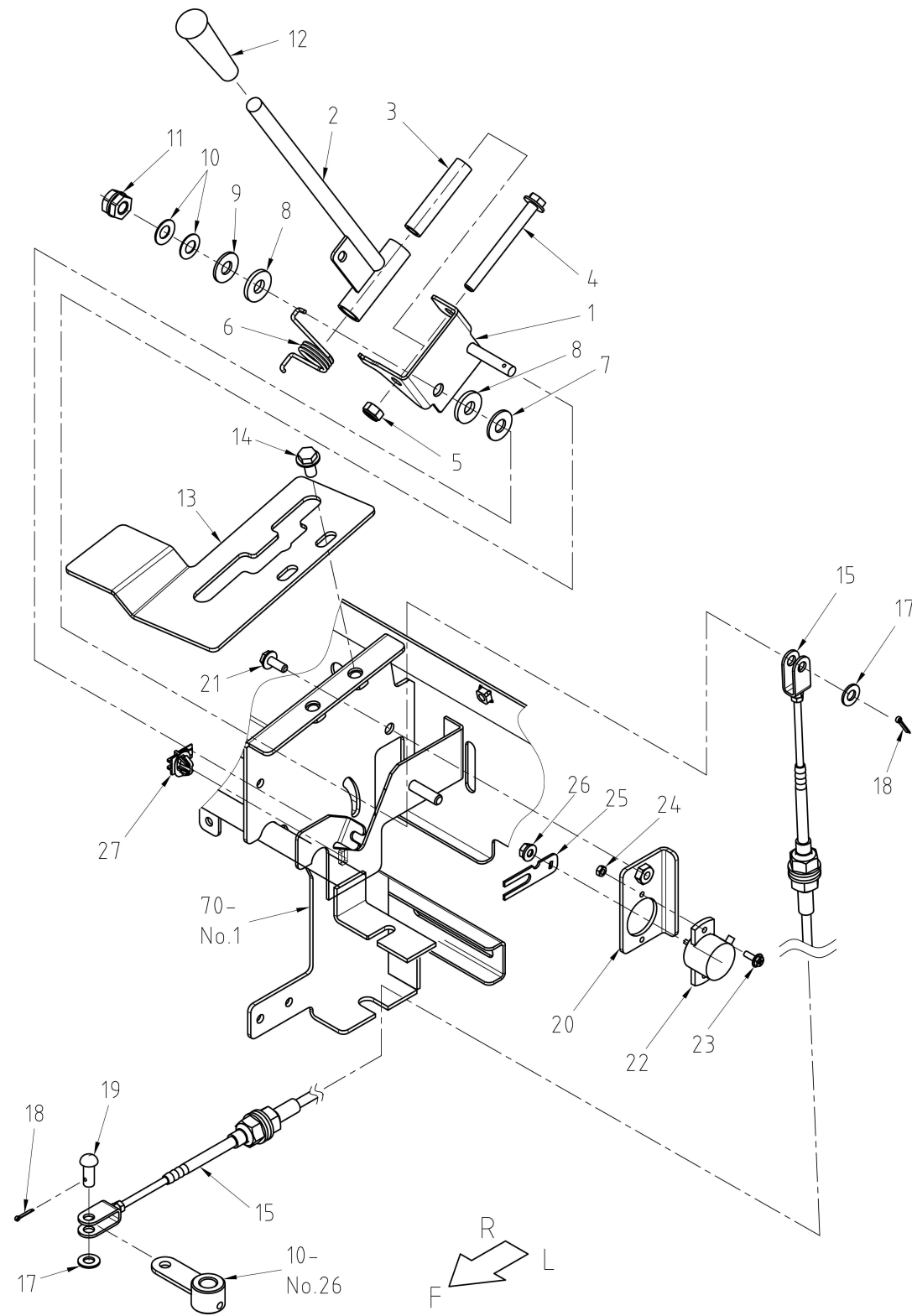
No	Product Number	Product Name	ST	Qty	Rev. Date	No
1	64901-BA3-700	SHAFT, COUNTER	B3M	1		6101
2	63300-BA3-000	AL-075 15H-20H		1		6102
3	97112-020141	KEY, 5 × 5 × 20SR		1		6103
4	97113-018241	KEY, 6 × 6 × 18RR		1		6104
5	97113-025041	KEY, 6 × 6 × 25S		1		6105
6	63200-BA3-001	PULLEY COMP, 127A × 20	M1	1		6106
7	91251-0830321	WASHER, RD 8 × 30 × 3.2	M1	1		6107
8	93100-0801617	BOLT, FLANGE 8 × 16		1		6108
9	91632-204450	FLANGE UNIT, RHOMBIC ASPFL204		1		6109
10	93100-0802017	BOLT, FLANGE 8 × 20		2		6110
11	65400-BA3-802	STOPPER D COMP, BELT	B2	1		6111
12	65700-BA3-801	BRAKE COMP	B2	1		6113
13	91644-121080	BUSH, 80F-1210		2		6114
14	65901-B51-000	PIN, 12 × 87	M1	1		6115
15	94511-09010	RING, E 9		2		6116
16	66901-B43-000	SPRING, BRAKE	M1B	1		6117
17	63903-BA3-800	GUIDE, BELT	B2	1		6118
18	93100-0601617	BOLT, FLANGE 6 × 16		1		6119
19	61500-BA3-800	BRACKET COMP, BELT STOPPER	B2	1		6121
20	93100-0801617	BOLT, FLANGE 8 × 16		2		6122
21	65500-BA3-800	STOPPER COMP, BELT TRAVEL	B2	1		6123
22	93100-0801617	BOLT, FLANGE 8 × 16		2		6124
23	-				Δ 1 2024/04/29	6125
24	93100-0801617	BOLT, FLANGE 8 × 16		2		6126
25	93100-0801617	BOLT, FLANGE 8 × 16		2		6127
26	91651-0209040	BELT LB40, ORANGE		2		6128
27	91651-0208029	BELT LA29, ORANGE		1		6129
28	65200-BA3-800	STOPPER L COMP, BELT	B2	1		6131
29	65300-BA3-800	STOPPER R COMP, BELT	B2	1		6132



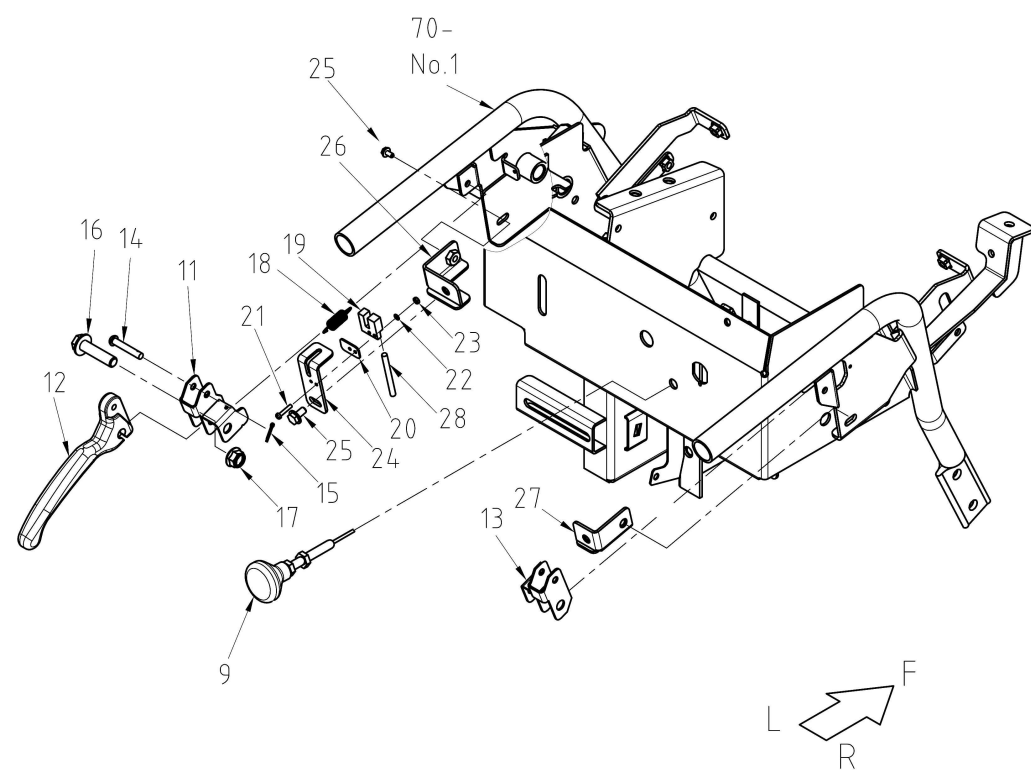
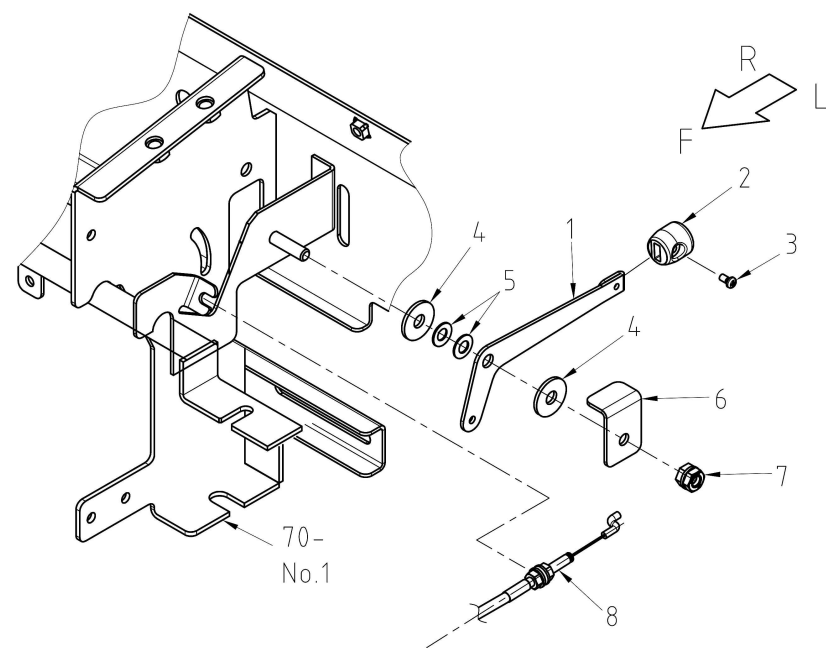
No	Product Number	Product Name	ST	Qty	Rev. Date	No
1	66500-BA3-830	BASE COMP, ELECTRIC CLUTCH	B2	1		6201
2	81100-B53-002	MOTOR, JC578VA		1		6202
3	93100-0601617	BOLT, FLANGE 6 × 16		3		6203
4	66600-BA3-830	GEAR COMP, AUGER CLUTCH	B2	1	Δ 2 2025/10/22	6205
5	33902-B39-002	COLLAR, CHUTER	M1	1		6206
6	94101-06015	WASHER, PLAIN 6		1		6207
7	93100-0603017	BOLT, FLANGE 6 × 30		1		6208
8	78200-BA3-000	WIRE, AUGER CLUTCH		1		6209
9	83100-B10-000	SWITCH, CHUTE		1		6210
10	83901-B56-000	BOLT, SL M3 × 16		2		6211
11	93100-0801617	BOLT, FLANGE 8 × 16		2		6212
12	91314-11765	STRAP, CABLE 1-1765		1		6213
13	91310-300	BAND, PRT3S		1		6214



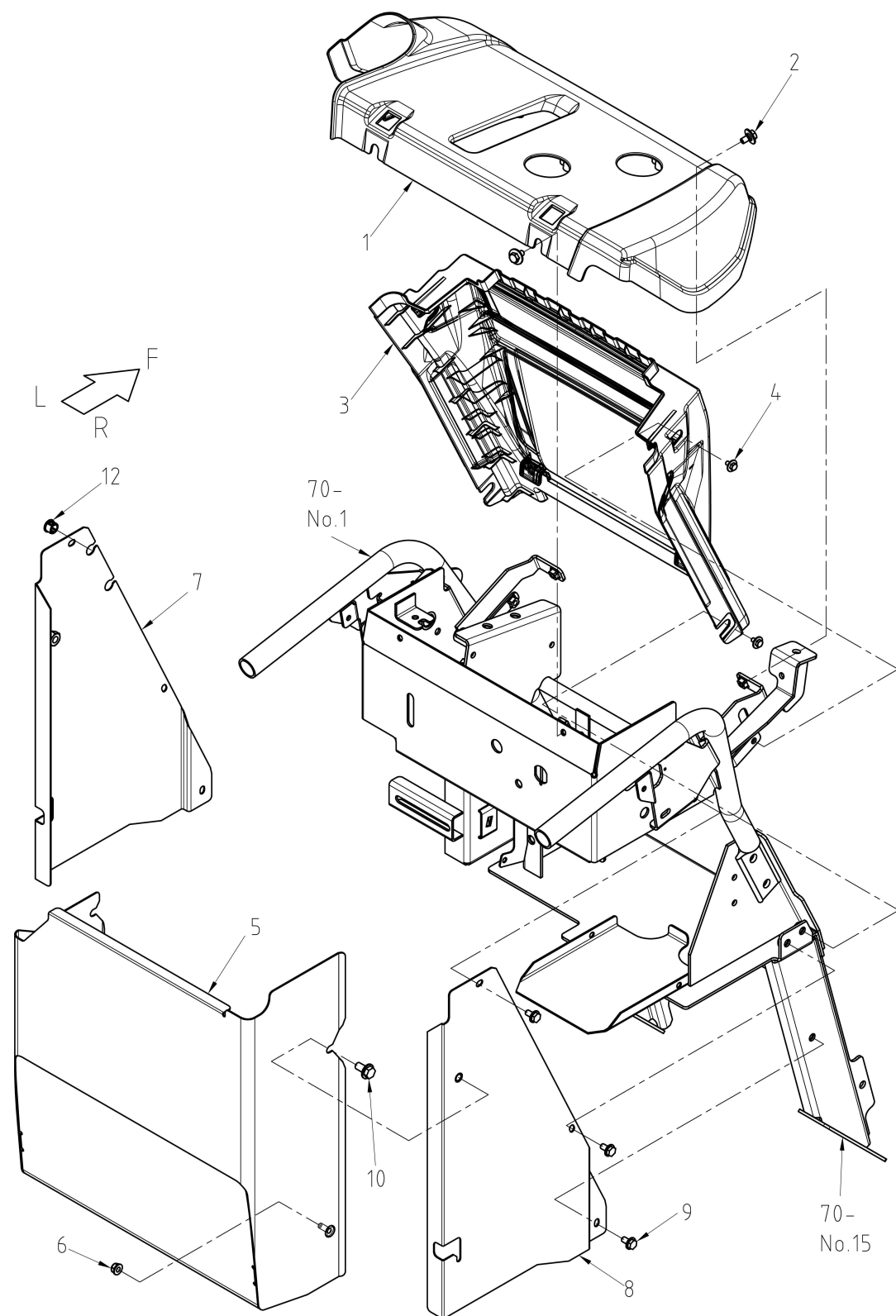
No	Product Number	Product Name	ST	Qty	Rev. Date	No
1	71200-BA3-800	HANDLE COMP	B2	1		7001
2	93300-1002017	BOLT, FLANGE 10×1.25×20		4		7002
3	94006-10410	NUT, FLANGE 10×1.25		4		7003
4	73500-B96-634	LEVER COMP, TRAVEL CLUTCH	B4	1	Δ 1 2025/02/06	7004
5	73901-B96-001	COVER, DIPPING		1		7005
6	91644-121580	BUSH, 80F-1215		2		7006
7	72700-BA3-800	SHAFT COMP, JOINT	B2	1		7007
8	74100-B96-634	BOSS COMP, JOINT	B4	1	Δ 2 2025/02/06	7008
9	94319-40020	PIN, SPG 4×20		1		7009
10	93100-0601617	BOLT, FLANGE 6×16		1		7010
11	71905-B96-101	SPRING, CLUTCH LEVER	MOB	1		7011
12	91732-251271	GRIP, HANDLE 25×127		2		7012
13	71909-B96-000	PROTECTOR, RUBBER 12×10		1		7013
14	91251-1225601	WASHER, RD 12×25×6	M1	1		7014
15	71400-BA3-800	HANDLE COMP, LOWER	B2	1		7015
16	93100-0801617	BOLT, FLANGE 8×16		2		7016
17	94002-08410	NUT, FLANGE 8		4		7017
18	91314-119P7	STRAP, CABLE 1-19P7		4	Δ 2 2025/6/6	7018
19	91314-11765	STRAP, CABLE 1-1765		2		7019
20	74902-BA3-800	CAM, SWITCH	B2	1		7021
21	93100-0601217	BOLT, FLANGE 6×12		1		7022
22	83100-B10-000	SWITCH, CHUTE		1		7023
23	74700-BA3-801	BRACKET COMP, SWITCH	B2	1		7024
24	83901-B56-000	BOLT, SL M3×16		2		7025
25	93100-0601217	BOLT, FLANGE 6×12		1		7027
26	78100-BA3-000	WIRE, TRAVEL CLUTCH		1		7028
27	94101-08010	WASHER, PLAIN 8		1		7029
28	94511-07010	RING, E 7		1		7030
29	71500-BA3-800	BRACKET COMP, SUB TANK	B2	1		7031
30	93100-0801617	BOLT, FLANGE 8×16		1		7032
33	43700-BA3-800	STAY B COMP, HARNESS	B2	1		7033
34	93100-0601617	BOLT, FLANGE 6×16		1		7034
35	94002-06410	NUT, FLANGE 6		1		7035



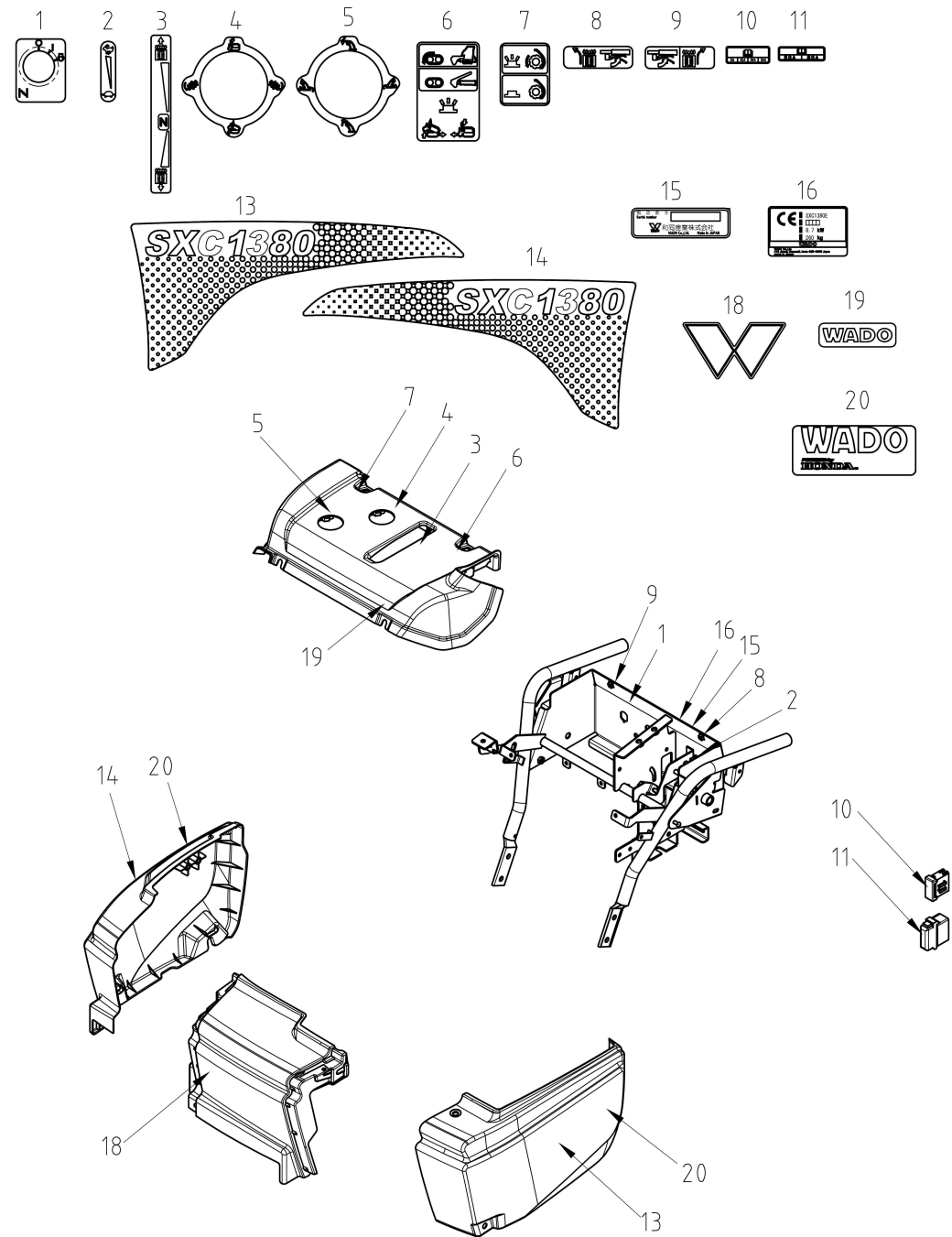
No	Product Number	Product Name	ST	Qty	Rev. Date	No
1	75100-BA3-801	BRACKET COMP, SPEED SHIFTING LEVER	B2	1		7101
2	75200-BA3-800	LEVER COMP, SPEED SHIFTING	B2	1		7102
3	75903-M72-002	COLLAR, 9 × 63.5	M1	1		7103
4	93100-0808017	BOLT, FLANGE 8 × 80		1		7104
5	91233-084120	NUT, U 8		1		7105
6	72902-B56-001	SPRING R, RETURN	M1B	1		7106
7	94101-10015	WASHER, PLAIN 10		1		7107
8	91648-8010	WASHER, 80W-10		2		7108
9	91251-1025321	WASHER, RD 10 × 25 × 3.2	M1	1		7109
10	91252-102	WASHER, SPG H10		2		7110
11	91235-10100	NUT, HARD LOCK 10		1		7111
12	91731-1208014	GRIP, LEVER OH12		1		7112
13	75901-BA3-801	PLATE, GUIDE	B2	1		7113
14	93100-0801617	BOLT, FLANGE 8 × 16		2		7114
15	78300-BA3-000	WIRE, MAIN SPEED SHIFTING		1		7115
16	-				Δ 1 2024/04/29	7116
17	94101-08010	WASHER, PLAIN 8		2		7117
18	94210-25150	PIN, SPLIT 2.5 × 15		2		7118
19	94330-0802510	PIN, 8 × 25		1		7119
20	74600-BA3-800	BRACKET COMP, SENSOR	B2	1		7121
21	93100-0601617	BOLT, FLANGE 6 × 16		1		7122
22	83100-B89-001	SENSOR, ANGLE RPA211		1		7123
23	83902-B89-000	BOLT, FRANGE SL M4 × 12		2		7124
24	94002-04410	NUT, FLANGE 4		2		7125
25	75902-BA3-801	STAY, POTENSION	B2	1		7126
26	94002-06410	NUT, FLANGE 6		1		7127
27	81901-BA2-000	CLIP, COUPLER		1		7129



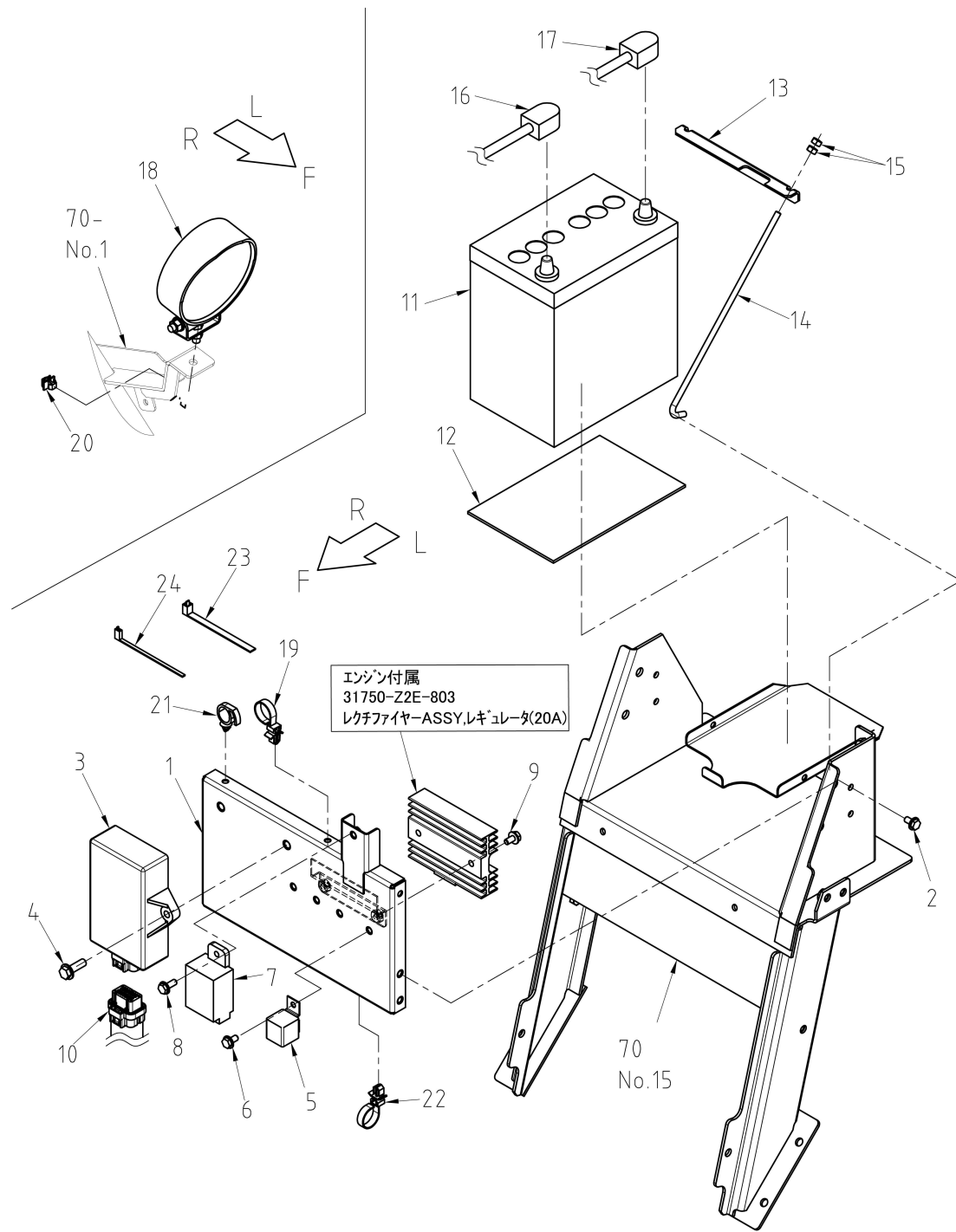
No	Product Number	Product Name	ST	Qty	Rev. Date	No
1	75903-BA3-801	LEVER, THROTTLE	B2	1	Δ 1 2026/01/08	7201
2	75907-B18-000	KNOB, THROTTLE LEVER		1		7202
3	75908-B18-001	SCREW, SPECIAL 4×8		1		7203
4	94101-08015	WASHER, PLAIN 8		2		7204
5	91252-082	SPRING H, PLATE 8		2		7205
6	75904-BA3-801	PLATE, THRUST	B2	1	Δ 1 2024/03/07	7206
7	91235-08100	NUT, HARD LOCK 8		1		7207
8	78400-BA3-000	WIRE, THROTTLE		1		7208
9	78500-BA3-001	WIRE, CHOKE		1	Δ 1 2024/05/15	7209
11	74600-B96-802	BRACKET L COMP, LEVER	B2	1		7301
12	74904-B96-001	LEVER, GRIP		2		7302
13	74700-B96-802	BRACKET R COMP, LEVER	B2	1		7303
14	94330-0603510	PIN, 6×35		2		7304
15	94210-20120	PIN, SPLIT 2×12		2		7305
16	93300-1004017	BOLT, FLANGE 10×1.25×40		2		7306
17	91237-1011	NUT, FLANGE U 10×1.25		2		7307
18	91606-B96-000	SPRING, COIL 8.8×40	M1B	2		7308
19	83300-B56-030	SWITCH, REED		2		7309
20	73908-B56-000	BASE, SWITCH 1.2	M1	2		7310
21	93500-0301614	SCREW, PAN 3×16		4		7311
22	94111-03012	WASHER, SPG 3		4		7312
23	94001-03412	NUT, 3		4		7313
24	78909-B96-801	BASE, SWITCH	B2	2		7314
25	93100-0601217	BOLT, FLANGE 6×12		4		7315
26	74200-B96-830	BRACKET L COMP, SWITCH	B2	1		7316
27	74300-B96-831	BRACKET R COMP, SWITCH	B2	1		7317
28	91382-0501201	CORRUGATE 5×120		2		7318



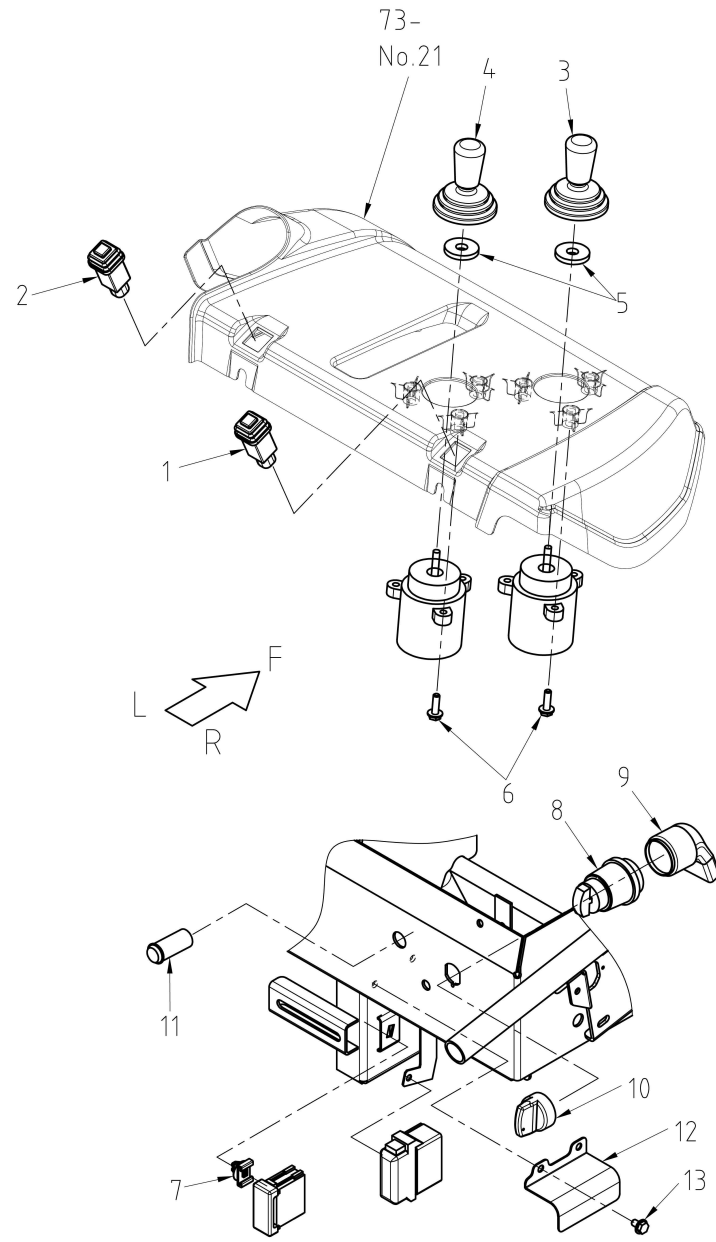
No	Product Number	Product Name	ST	Qty	Rev. Date	No
1	72100-BA3-001	PANEL COMP, CONTROL		1	Δ 1 2025/12/24	7321
2	48905-B96-000	BOLT, SHOULDER 6 × 9	M0	4		7322
3	48903-BA3-000	PANEL, FRONT		1		7323
4	48905-B96-000	BOLT, SHOULDER 6 × 9	M0	4		7324
5	48100-BA3-804	COVER C COMP, REAR	B2	1		7325
6	91237-0601	NUT, FLANGE U 6		2		7326
7	48500-BA3-800	COVER L COMP, REAR	B2	1		7327
8	48600-BA3-800	COVER R COMP, REAR	B2	1		7328
9	93100-0601257	BOLT, FLANGE 6 × 12		6		7329
10	93100-0801657	BOLT, FLANGE 8 × 16		2		7330
11	-					7331
12	52908-G34-000	BUSH, OP-30-OB-8		2		7332



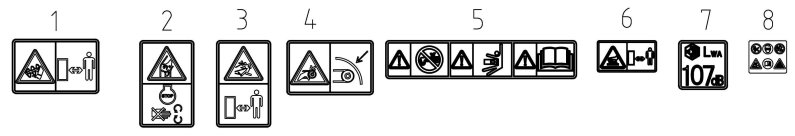
No	Product Number	Product Name	ST	Qty	Rev. Date	No
1	79902-BA1-000	MARK, ENGINE SWITCH		1		7901
2	79903-B96-002	MARK, THROTTLE		1		7902
3	79921-BA3-001	LABEL, SPEED SHIFTING		1	Δ 1 2024/03/07	7903
4	79904-BA3-000	LABEL, ROLLING		1		7904
5	79910-B96-004	MARK, CHUTE		1		7905
6	79923-BA3-001	LABEL, CONBINATION		1	Δ 1 2024/03/07	7906
7	79922-BA3-001	LABEL, AUGER CLUTCH		1	Δ 1 2024/03/07	7907
8	79934-B96-000	MARK L, SIDE CLUTCH		1		7908
9	79935-B96-000	MARK R, SIDE CLUTCH		1		7909
10	79925-BA3-001	MARK, FUSE		1	Δ 1 2024/03/07	7910
11	79926-BA3-001	MARK, SLOW BLOW FUSE		1	Δ 1 2024/03/07	7911
12	-					7912
13	79914-BA3-000	MARK L, SIDE		1		7913
14	79915-BA3-000	MARK R, SIDE		1		7914
15	91907-001	-		1		7915
16	79924-BA3-001	MARK, CE		1	Δ 1 2024/03/07	7916
17	-					7917
18	79912-B97-001	MARK, WADO		1		7918
19	79904-B89-000	LABEL, WADO 78		1		7919
20	79910-BA3-002	MARK, WADO PbH		2	Δ 2 2024/06/29	7921



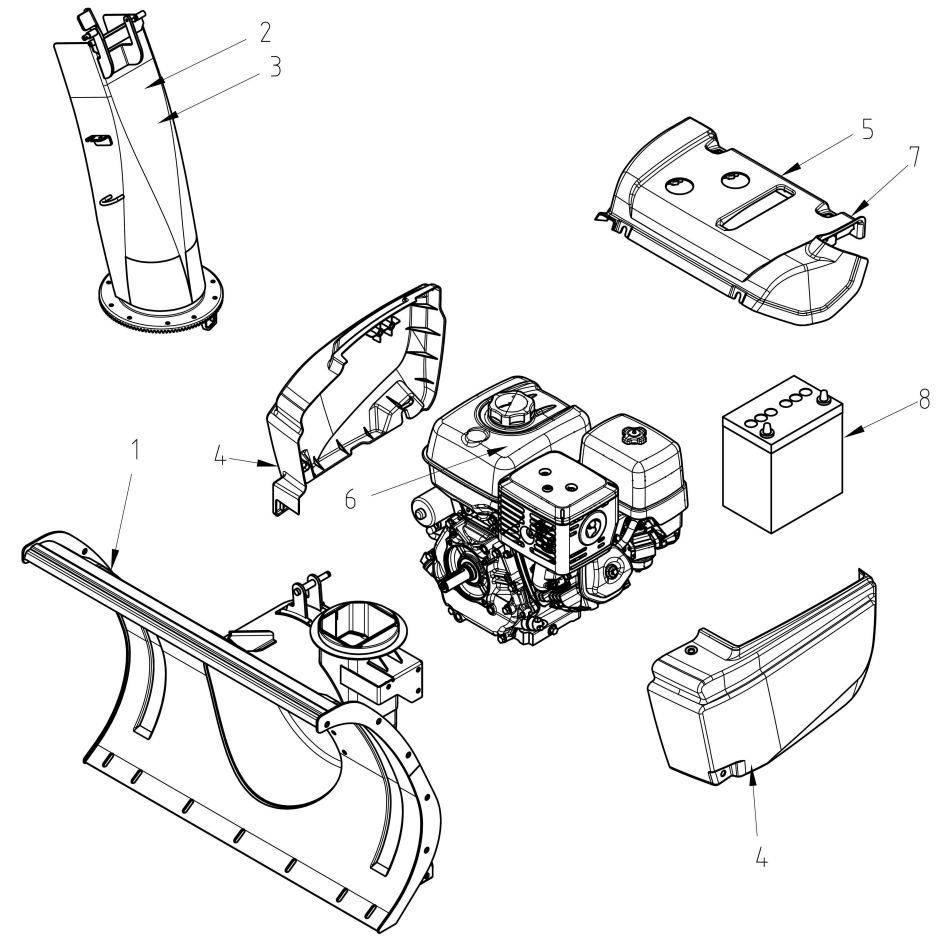
No	Product Number	Product Name	ST	Qty	Rev. Date	No
1	82100-BA3-802	BRACKET COMP, RELAY	B2	1		8001
2	93100-0601617	BOLT, FLANGE 6 × 16		4		8002
3	84100-BA3-001	ECU		1	Δ 2024/05/17	8003
4	93100-0802517	BOLT, FLANGE 8 × 25		2		8004
5	84200-B56-000	RELAY, MOTOR		4		8005
6	93100-0601217	BOLT, FLANGE 6 × 12		4		8006
7	84200-B88-000	RELAY, CHUTE		1		8007
8	93100-0601617	BOLT, FLANGE 6 × 16		1		8008
9	93100-0602017	BOLT, FLANGE 6 × 20		2		8010
10	85300-BA3-002	HARNESS, MAIN		1	Δ 2 2025/06/19	8011
11	91890-040B19R	BATTERY, 40B19R		1		8012
12	89901-B07-000	RUBBER		1		8013
13	86901-B43-802	CLAMP, BATTERY	B2	1		8014
14	86902-B43-000	BOLT, BATTERY SET	M1	2		8015
15	94001-06412	NUT, 6		4		8017
16	87300-BA3-000	CORD (+), BATTERY 6-1000		1		8018
17	87200-BA3-000	CORD (-), BATTERY 950		1		8019
18	83200-BA2-000	LIGHT, LED 18W YELLOW		1		8021
19	91314-11765	STRAP, CABLE 1-1765		1		8023
20	91315-A3455	CLIP, CABLE A-3455		1		8024
21	91315-C2S12	CLIP, CABLE C-2S12		1		8025
22	91314-11765	STRAP, CABLE 1-1765		2		8026
23	91311-140	BAND, REPEAT RF140		1		8027
24	91310-150	BAND, PRT1.5S		1		8028



No	Product Number	Product Name	ST	Qty	Rev. Date	No
1	83100-BA3-000	SWITCH, PUSH LIGHT		1		8051
2	83100-B96-000	SWITCH, WATRTPROOF LIGHT		1		8052
3	83200-B18-000	SWITCH, CONTROL		1		8053
4	83200-B18-000	SWITCH, CONTROL		1		8054
5	83902-B18-000	WASHER, RD 11 × 32 × 4.5	M1	2		8055
6	93100-0602017	BOLT, FLANGE 6 × 20		6		8056
7	81902-BA2-000	CLIP, COUPLER HOLDER		1		8057
8	83100-B82-000	SWITCH, MAIN		1		8058
9	88901-B82-000	COVER, KEY		1		8059
10	88902-B81-030	COVER, KEY SWITCH		1		8060
11	89100-A62-000	LAMP UNIT, PILOT		1		8061
12	81902-BA3-800	COVER, FUSE	B2	1		8063
13	93100-0601217	BOLT, FLANGE 6 × 12		2		8064



No	Product Number	Product Name	ST	Qty	Rev. Date	No
1	91193-015	LABEL, AUGER DANGER		1		9001
2	91194-018	LABEL, BLOWER WARNING		1		9002
3	91194-017	LABEL, DISCHARGE WARNING		1		9003
4	91195-023	LABEL, COVER CAUTION		2		9004
5	79946-B96-000	LABEL, WARNING		1		9005
6	91195-020	LABEL, MUFLLER CAUTION		1		9006
7	79940-B96-001	MARK, NOISE		1		9007
8	91193-018	LABEL, BATTERY DANGER		1		9008



No	Product Number	Product Name	ST	Qty	Rev. Date	No
1	91912-BA3-000	INSTRUCTION MANUAL		1		9021
2	91903-001	CERTIFICATE, INSPECTION PASS		1		9022
3	90002-B10-000	BOLT ASSY, SHEAR 8×25		1		9023
4	91903-B43-000	WRENCH 12, COMBINATION		2		9024
5	91811-105	FUSE, BLADE 5A		1		9025
7	91811-125	FUSE, BLADE 25A		1		9027
8	91811-130	FUSE, BLADE 30A		2		9028
9	90002-B96-000	CASE, TOOL		1		9029
10	91998-030812	BAG, POLY 0.03×80×120		1		9030
11	91998-031215	BAG, POLY 0.03×120×150		1		9031
12	91997-240325	BAG, AIR CUSHION 240×325		2	Δ 1 2024/04/02	9032

