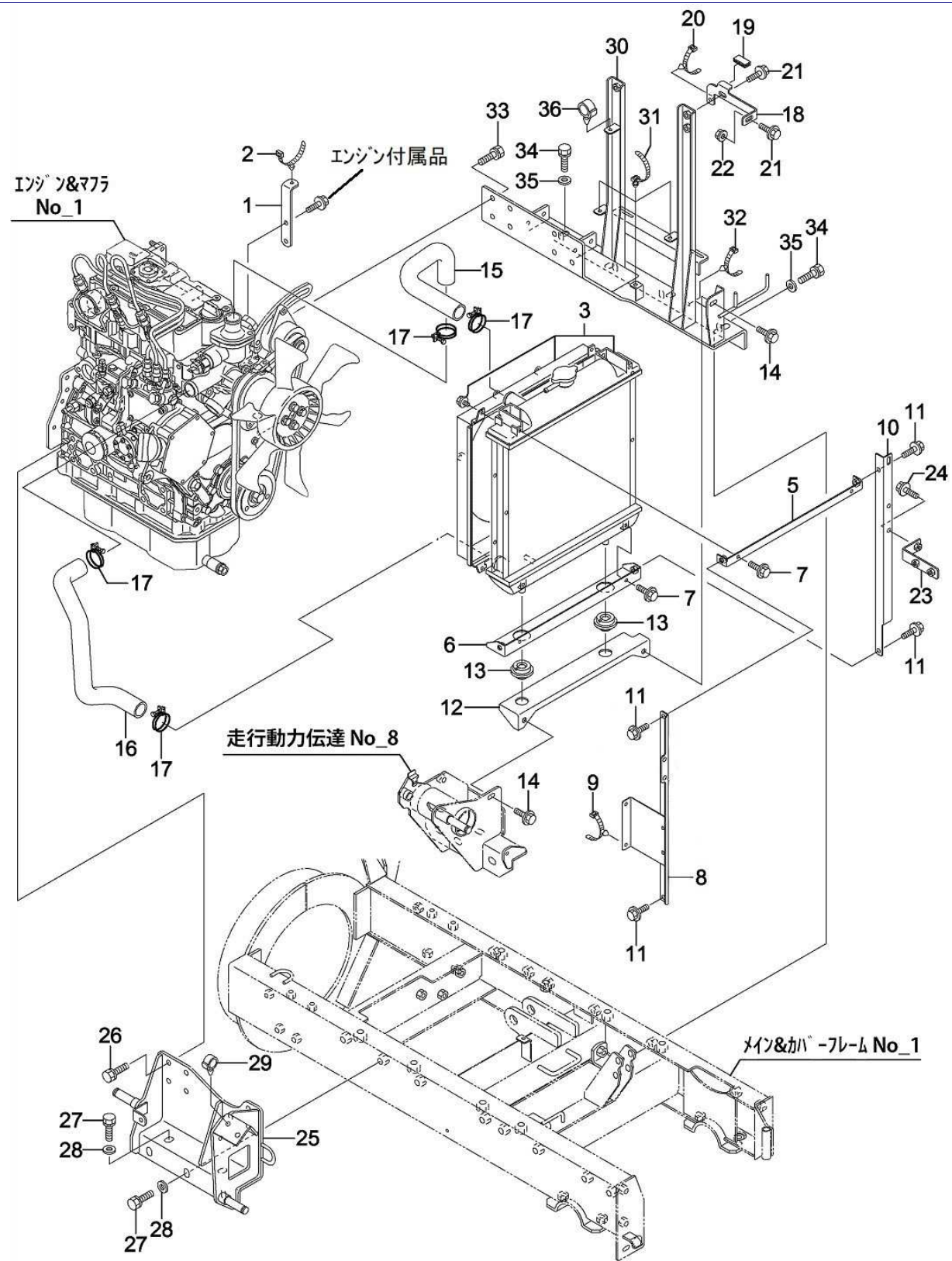
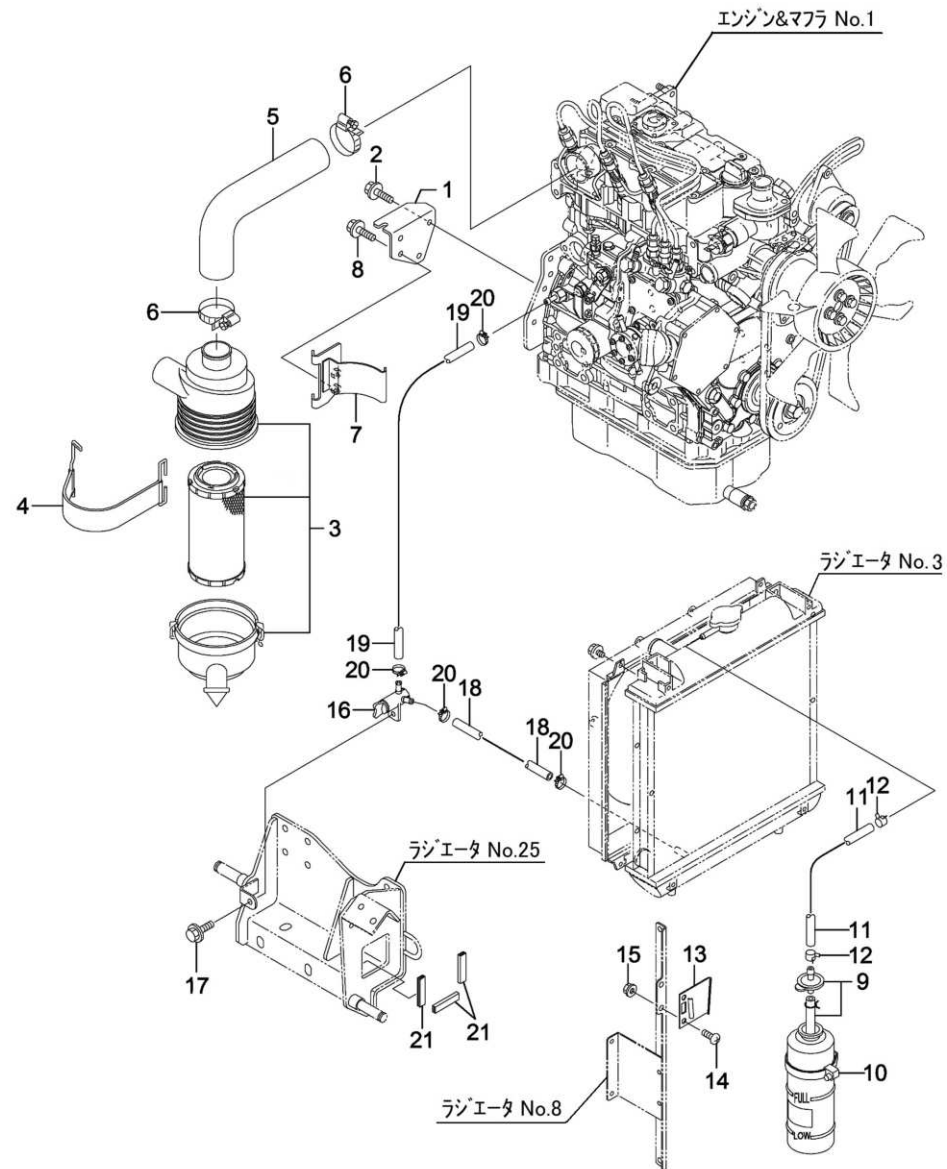


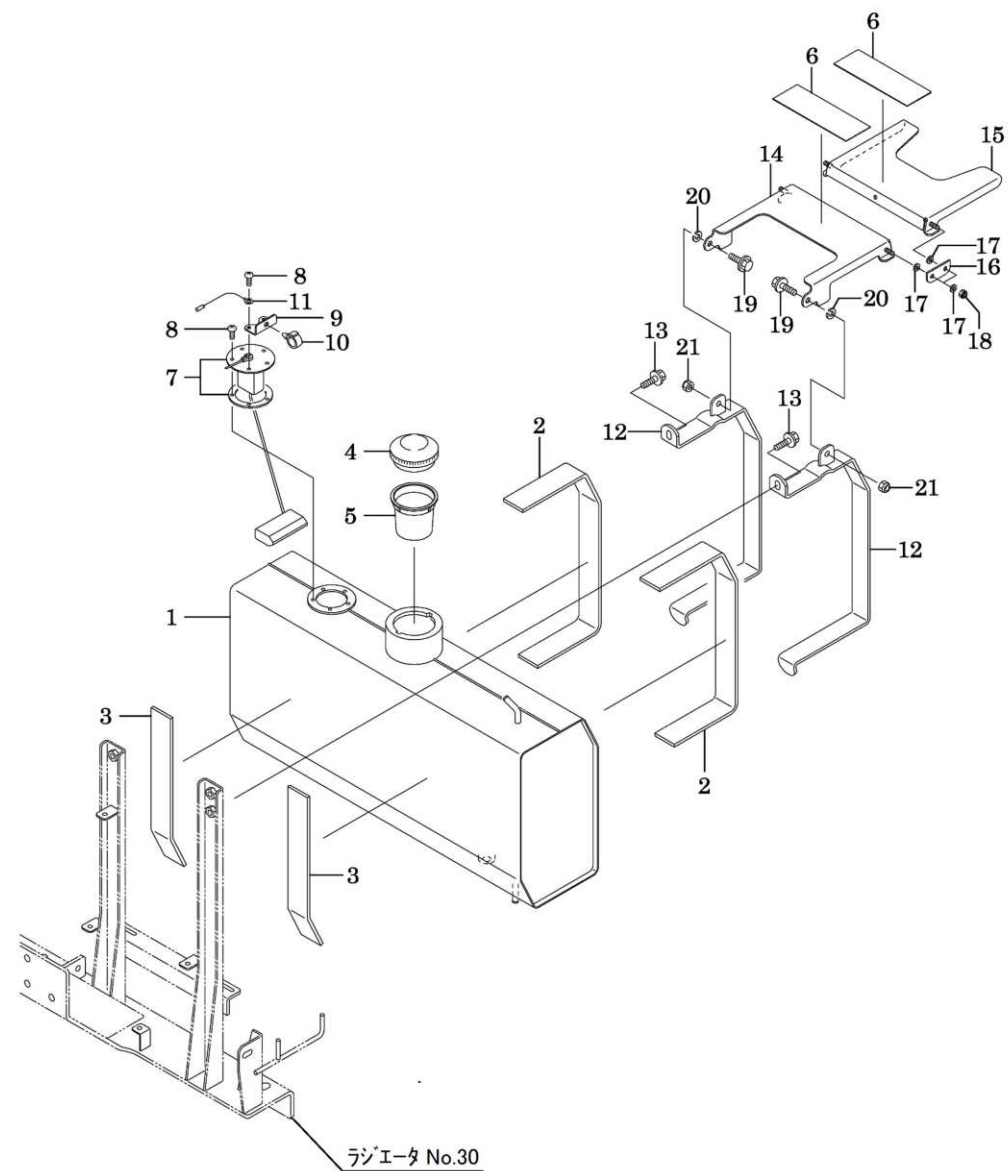
No	Product Number	Product Name	ST	Qty	Remarks	Rev. Date	No
1	01001-B53-001	ENGINE, 3TNV76-XSR1		1			1
2	67902-A63-000	FLANGE, HYDRAULIC	M1	1			21
3	98310-02024	RING O, P20		1			22
4	93100-0602517	BOLT, FLANGE 6 × 25		4			23
5	51902-B51-001	JOINT, ELBOW PT3/8 × PF1/2 45		1			24
6	51901-A26-000	JOINT, ELBOW PF3/8 × PF1/4		1			25
7	02800-B85-801	STAY COMP, ENGINE HARNESS	B2	1			91
8	93100-0801617	BOLT, FLANGE 8 × 16		1			92
9	91314-11765	STRAP, CABLE 1-1765		1			93
10	129065-13500	SILENCER		1	エンジン付属		101
11	129004-13200	GASKET, SILENCER		1	エンジン付属		102
12	94002-08410	NUT, FLANGE 8		4			103
13	105198-13610	CAP COMP, MUFFLER		1	エンジン付属		111
14	02500-B85-000	PIPE COMP, EX	H0	1			112
15	129107-13550	GASKET, MUFFLER CAP		1	エンジン付属		113
16	94002-08410	NUT, FLANGE 8		2			114
17	02903-B53-801	STAY, MUFFLER	B2	1			121
18	93100-0802017	BOLT, FLANGE 8 × 20		2			122
19	93100-0801617	BOLT, FLANGE 8 × 16		2			123
20	02600-B85-800	COVER COMP, MUFFLER	B2	1			131
21	93100-0801217	BOLT, FLANGE 8 × 12		2			132
22	02400-B85-800	BRACKET COMP, BELT STOPPE	B2	1			221
23	02700-B86-800	BRACKET COMP, DAMPER	B2	1			222
24	93100-0802017	BOLT, FLANGE 8 × 20		2			223
25	93100-0801617	BOLT, FLANGE 8 × 16		2			224
27	05901-B86-800	COVER, MANIFOLD	B2	1			371
28	05200-B86-800	STAY COMP, MANIFOLD	B2	1			372
29	93100-0802017	BOLT, FLANGE 8 × 20		5			373
30	94002-08410	NUT, FLANGE 8		1			374
31	08500-B86-800	COVER COMP, FAN	B2	1			381
32	08902-B54-800	STAY A, FAN COVER	B2	2			382
33	93100-0801617	BOLT, FLANGE 8 × 16		4			383
34	93100-0602517	BOLT, FLANGE 6 × 25		2			384
35	94101-06015	WASHER, PLAIN 6		4			385
36	08903-B54-800	STAY B, FAN COVER	B2	2			386
37	02904-A91-000	PROTECTOR, RUBBER 8 × 173		1			387
38	05902-B86-000	PROTECTOR, RUBBER 8 × 30		3			388
39	91331-080451	CLAMP, CORD 8 × 45		1			389



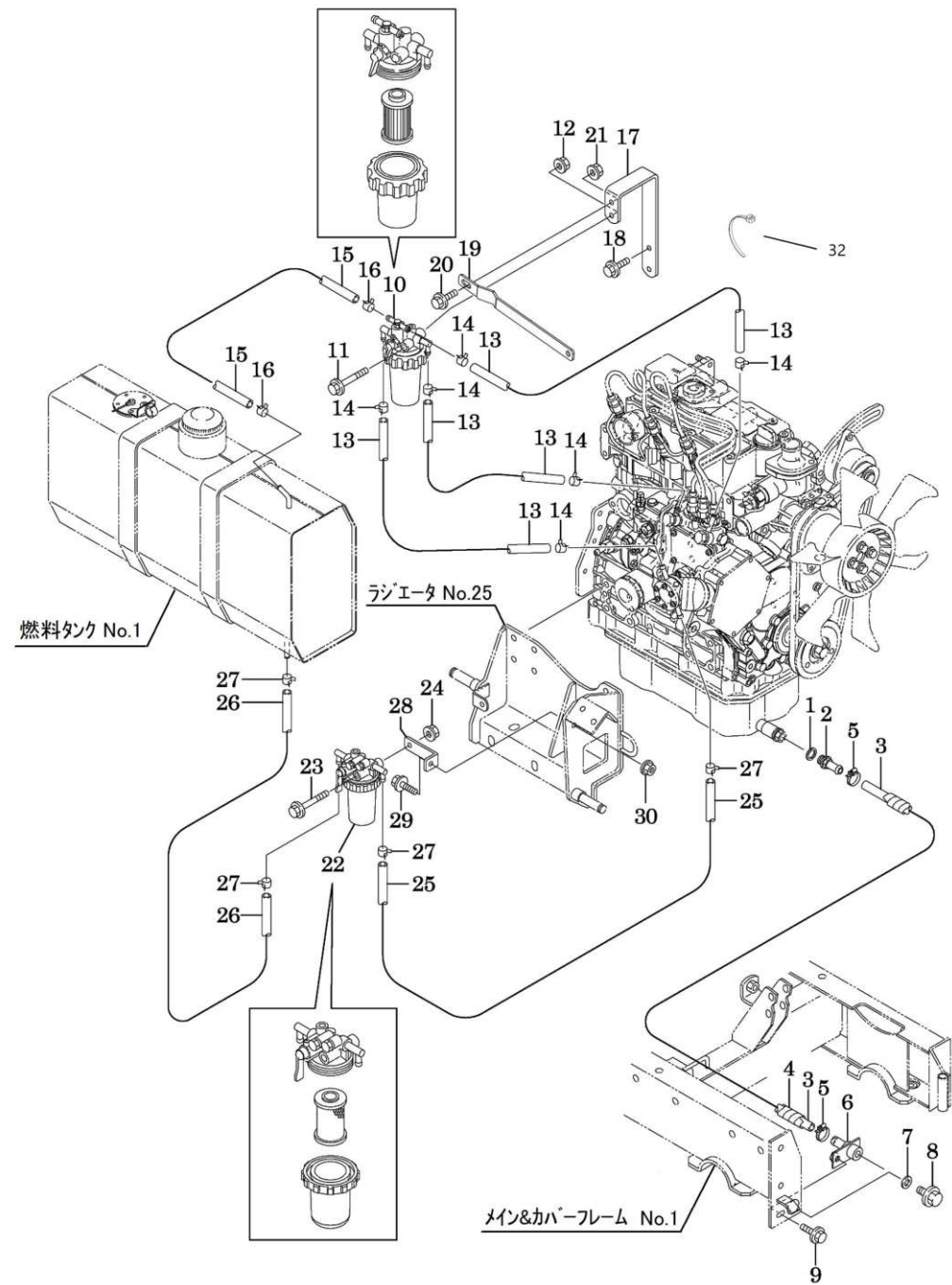
No	Product Number	Product Name	ST	Qty	Remarks	Rev. Date	No
1	02906-B53-800	STAY, FUEL HOSE	B2	1			31
2	91314-119P7	STRAP, CABLE 1-19P7		1			32
3	119802-44500	RADIATOR COMP		1	エンジン付属		301
5	03100-B54-800	FRAME UPPER COMP, RADIATO	B2	1			303
6	03200-B54-801	FRAME LOWER COMP, RADIATO	B2	1			304
7	93100-0601617	BOLT, FLANGE 6×16		4			305
8	03700-B85-801	FRAME L COMP, RADIATOR	B2	1			306
9	91314-11W02	STRAP, CABLE 1-1W02		2			307
10	03902-B85-800	FRAME R, RADIATOR	B2	1			308
11	93100-0802017	BOLT, FLANGE 8×20		4			309
12	03100-B53-801	BASE COMP, RADIATOR	B2	1			311
13	119255-44660	RUBBER, ANTIVIBRATION (RADI		2	エンジン付属		312
14	93100-0802017	BOLT, FLANGE 8×20		2			313
15	119960-49010	CW-T, A		1	エンジン付属		321
16	119960-49020	CW-T, B		1	エンジン付属		322
17	23010-038000	BAND, HOSE 38		4	エンジン付属		323
18	03904-B85-800	STAY B, RADIATOR	B2	1			351
19	48903-B53-000	PROTECTOR, RUBBER 12×25		1			352
20	91315-C1J77	CLIP, CABLE C-1J77		1			353
21	93100-0801617	BOLT, FLANGE 8×16		2			354
22	94002-08410	NUT, FLANGE 8		1			355
23	03200-B85-800	STAY COMP, SUB TANK	B2	1			361
24	93100-0801617	BOLT, FLANGE 8×16		1			362
25	02100-B53-802	BASE L COMP, ENGINE	B2	1			401
26	93000-1002517	BOLT, LOCK 10×25		7			402
27	93000-1203017	BOLT, LOCK 12×30		5			403
28	94101-12010	WASHER, PLAIN 12		5			404
29	91315-C1U68	CLIP, CABLE C-1U68		1			406
30	02200-B85-800	BASE R COMP, ENGINE	B2	1			501
31	91314-11765	STRAP, CABLE 1-1765		3			502
32	91314-119P7	STRAP, CABLE 1-19P7		1			503
33	93000-1002517	BOLT, LOCK 10×25		7			504
34	93000-1203017	BOLT, LOCK 12×30		8			505
35	94101-12010	WASHER, PLAIN 12		8			506
36	91315-C1E50	CLIP, CABLE C-1E50		1			507



No	Product Number	Product Name	ST	Qty	Remarks	Rev. Date	No
1	03500-B85-800	STAY COMP, AIR CLEANER	B2	1		Δ 2 2026/03/05	201
2	93100-0801617	BOLT, FLANGE 8 × 16		2			202
3	119624-12510	CLEANER COMP, AIR		1	エンジン付属		211
4	119865-12600	BAND, AIR CLEANER		1	エンジン付属		212
5	119761-12030	HOSE, INTAKE		1	エンジン付属	Δ 1 2024/02/16	213
6	23000-060000	CLIP 60, HOSE		2	エンジン付属		214
7	02300-B53-801	BRACKET COMP, AIR CLEANER	B2	1			215
8	93100-0801617	BOLT, FLANGE 8 × 16		2			216
9	124450-44510	TANK COMP, SUB		1	エンジン付属		331
10	124450-44550	BAND, SUB TANK		1	エンジン付属		332
11	105340-59510	FOT, TANK PUMP		1	エンジン付属	Δ 1 2024/02/16	333
12	121250-44590	CLIP, HOSE		2	エンジン付属		334
13	121256-44600	BRACKET, SUB TANK		1	エンジン付属		335
14	93400-0801214	BOLT, TRUSS 8 × 12		2			336
15	94002-08410	NUT, FLANGE 8		2			337
16	129150-49100	COCK COMP, THREE WAY		1	エンジン付属		341
17	93100-0802017	BOLT, FLANGE 8 × 20		1			342
18	91543-0750751	HOSE, BLADE 7.5 × 750		1			343
19	91543-0750221	HOSE, BLADE 7.5 × 220		1			344
20	91324-013	BAND, HOSE 13		4			345
21	02903-B54-001	PROTECTOR, RUBBER 12.5 × 53		3			405

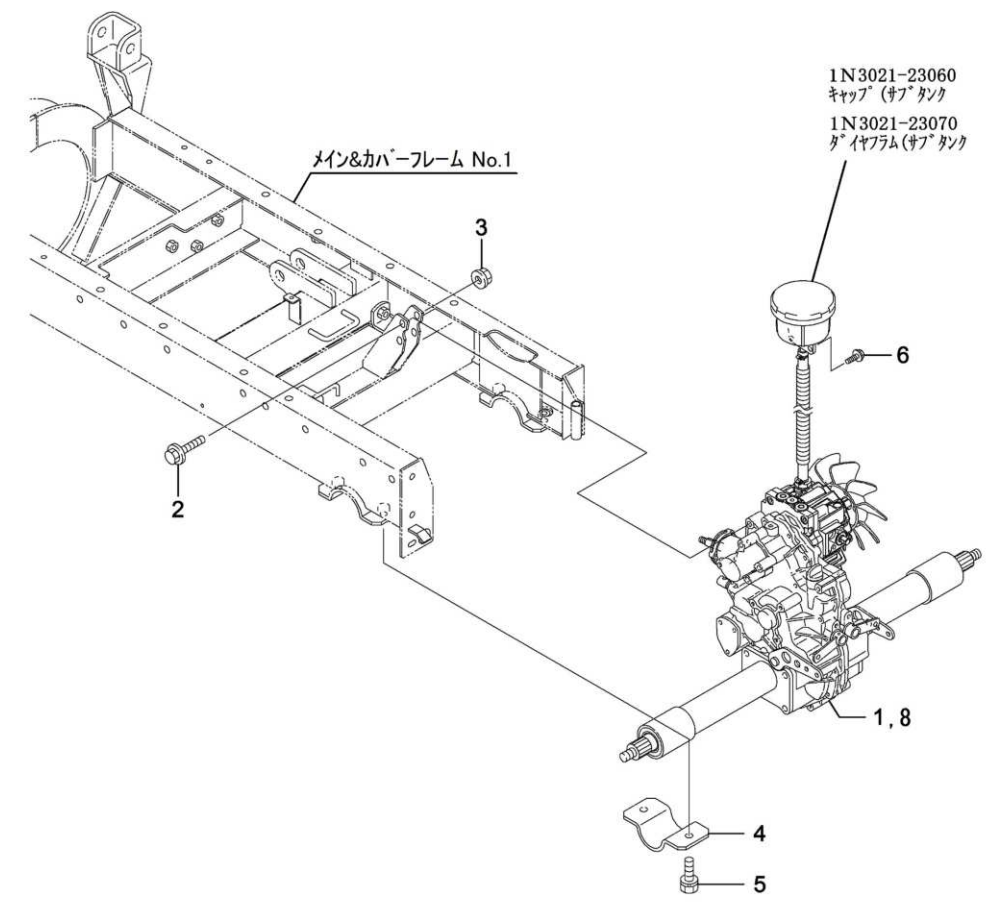


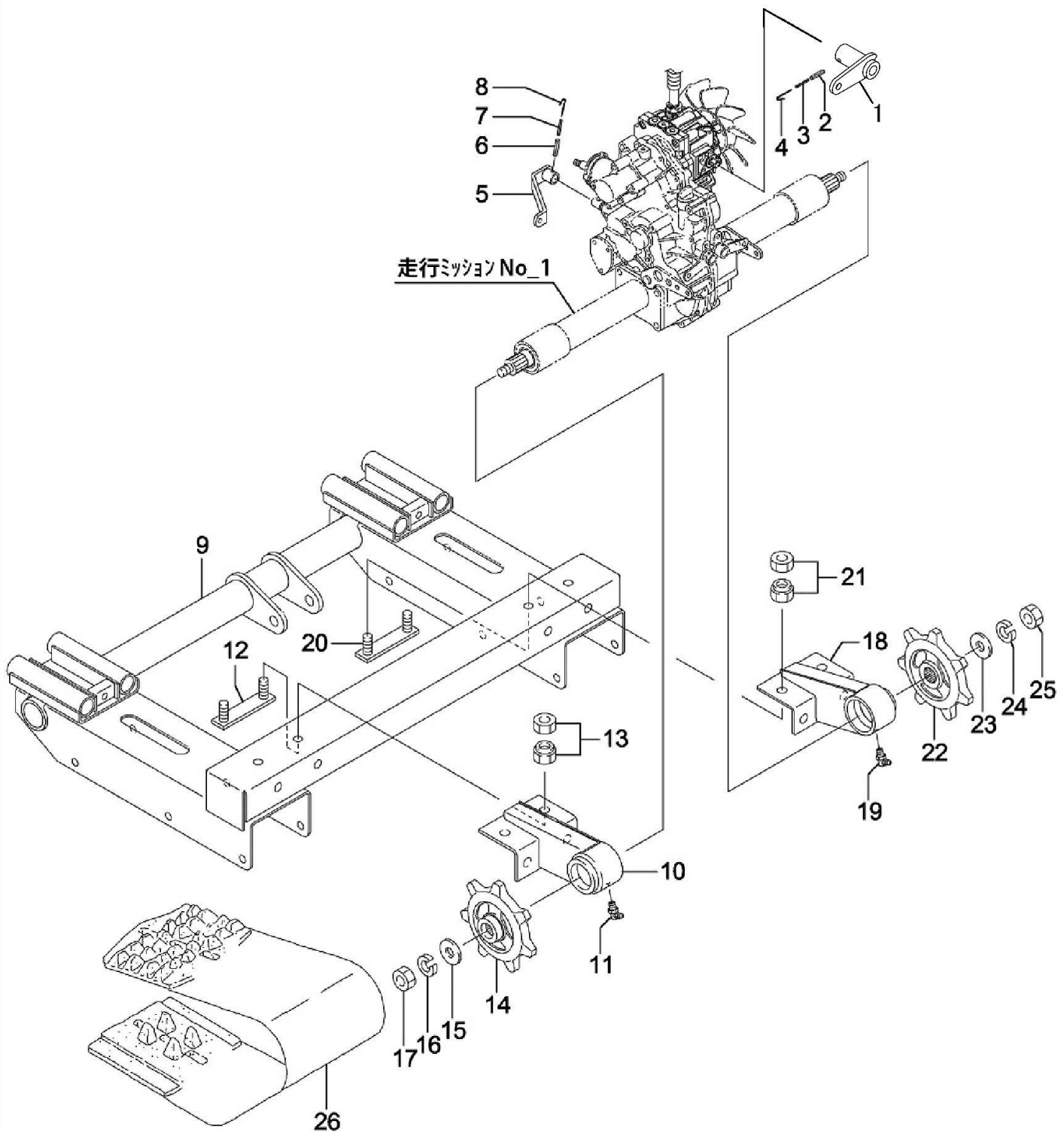
No	Product Number	Product Name	ST	Qty	Remarks	Rev. Date	No
1	04100-B78-753	TANK COMP, FUEL 25	B3M	1		Δ 3 2023/08/18	601
2	04901-B85-000	RUBBER, 40 × 580 × 5		2			602
3	04902-B85-000	RUBBER, 40 × 250 × 5		2			603
4	02010-B50-000	CAP, FUEL		1			604
5	02020-B50-000	FILTER		1			605
6	03906-B63-000	TAPE, AK 150 × 50		2			639
7	04300-B78-000	SENSOR, FUEL		1			611
8	93500-0501214	SCREW, PAN 5 × 12		5			612
9	04905-B78-801	STAY, GAUGE HARNESS	B2	1			613
10	91315-C4397	CLIP, CABLE C-4397		1			614
11	87300-B18-000	CORD, EARTH		1			615
12	03600-B85-830	BAND COMP, TANK	B2	2			621
13	93100-0802517	BOLT, FLANGE 8 × 25		2			622
14	03300-B78-801	GUIDE A COMP, TANK		1			631
15	03400-B78-802	GUIDE B COMP, TANK	B2	1			632
16	03905-B63-801	PLATE, LINK	B2	2			633
17	94101-06010	WASHER, PLAIN 6		8			634
18	91233-064010	NUT, U 6		4			635
19	93100-0802017	BOLT, FLANGE 8 × 20		2			636
20	94111-08012	WASHER, SPG 8		2			637
21	91234-084110	NUT, TOUGH LOCK 8		2			638



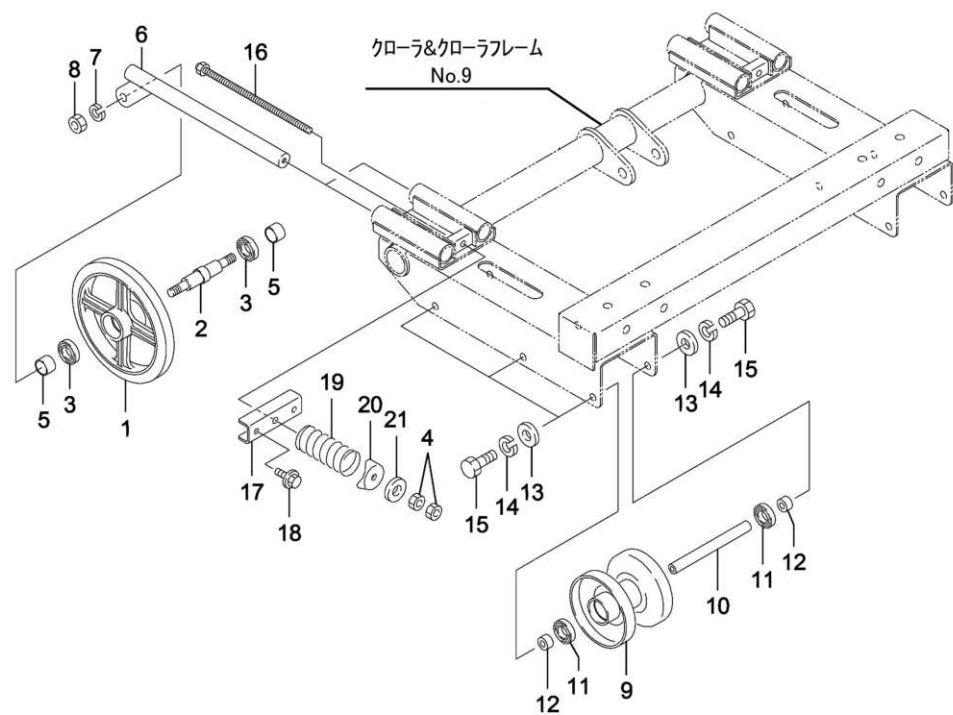
No	Product Number	Product Name	ST	Qty	Remarks	Rev. Date	No
1	22190-160002	WASHER, SEAL 16		1	エンジン付属		11
2	129459-39150	DRAIN, OIL EXTENSION		1	エンジン付属		12
3	91542-1505601	HOSE, 15 × 560		1			13
4	91382-1905101	CORRUGATE 19 × 510		1			14
5	91323-019	CLAMP, HOSE 19		2			15
6	02700-B54-801	JOINT COMP, DRAIN	B2	1		Δ 1 2024/02/29	16
7	91691-1222205	PACKING, 12.5 × 22 × 2.0		1			17
8	93300-1201617	BOLT, FLANGE 12 × 1.25 × 16		1			18
9	93100-0802017	BOLT, FLANGE 8 × 20		1			19
10	119255-55620	FILTER COMP, FO		1	エンジン付属		41
11	93100-0807017	BOLT, FLANGE 8 × 70		1			42
12	94002-08410	NUT, FLANGE 8		1			43
13	91543-0750271	HOSE, BLADE 7.5 × 270		3			44
14	91324-013	BAND, HOSE 13		6			45
15	91543-0750801	HOSE, BLADE 7.5 × 800		1			46
16	91324-013	BAND, HOSE 13		2			47
17	02904-B53-800	STAY, FILTER	B2	1			51
18	93100-0801617	BOLT, FLANGE 8 × 16		2			52
19	03901-B86-800	FRAME L, RADIATOR	B2	1		Δ 1 2023/02/03	61
20	93100-0802017	BOLT, FLANGE 8 × 20		1			62
21	94002-08410	NUT, FLANGE 8		1			63
22	129335-55700	SEPARATOR COMP, WATER		1	エンジン付属		71
23	93100-0806517	BOLT, FLANGE 8 × 65		1			72
24	94002-08410	NUT, FLANGE 8		1			73
25	91543-0750271	HOSE, BLADE 7.5 × 270		1			74
26	91543-0751051	HOSE, BLADE 7.5 × 1050		1			75
27	91324-013	BAND, HOSE 13		4			76
28	02905-B85-800	STAY, WATER SEPARATOR	B2	1			81
29	93100-0802017	BOLT, FLANGE 8 × 20		1			82
30	94002-08410	NUT, FLANGE 8		1			83
31	-						64
32	91311-140	BAND, REPEAT RF140		1			84

No	Product Number	Product Name	ST	Qty	Remarks	Rev. Date	No
1	10001-B53-002	TRANSMISSION, SB-30H		1			1001
2	93300-1005017	BOLT, FLANGE 10 × 1.25 × 50		2			1003
3	94006-10410	NUT, FLANGE 10 × 1.25		2			1004
4	41903-A91-800	HOLDER, SHAFT	B2	2			1005
5	93000-1203517	BOLT, LOCK 12 × 35		4			1006
6	93100-0802017	BOLT, FLANGE 8 × 20		2			1007

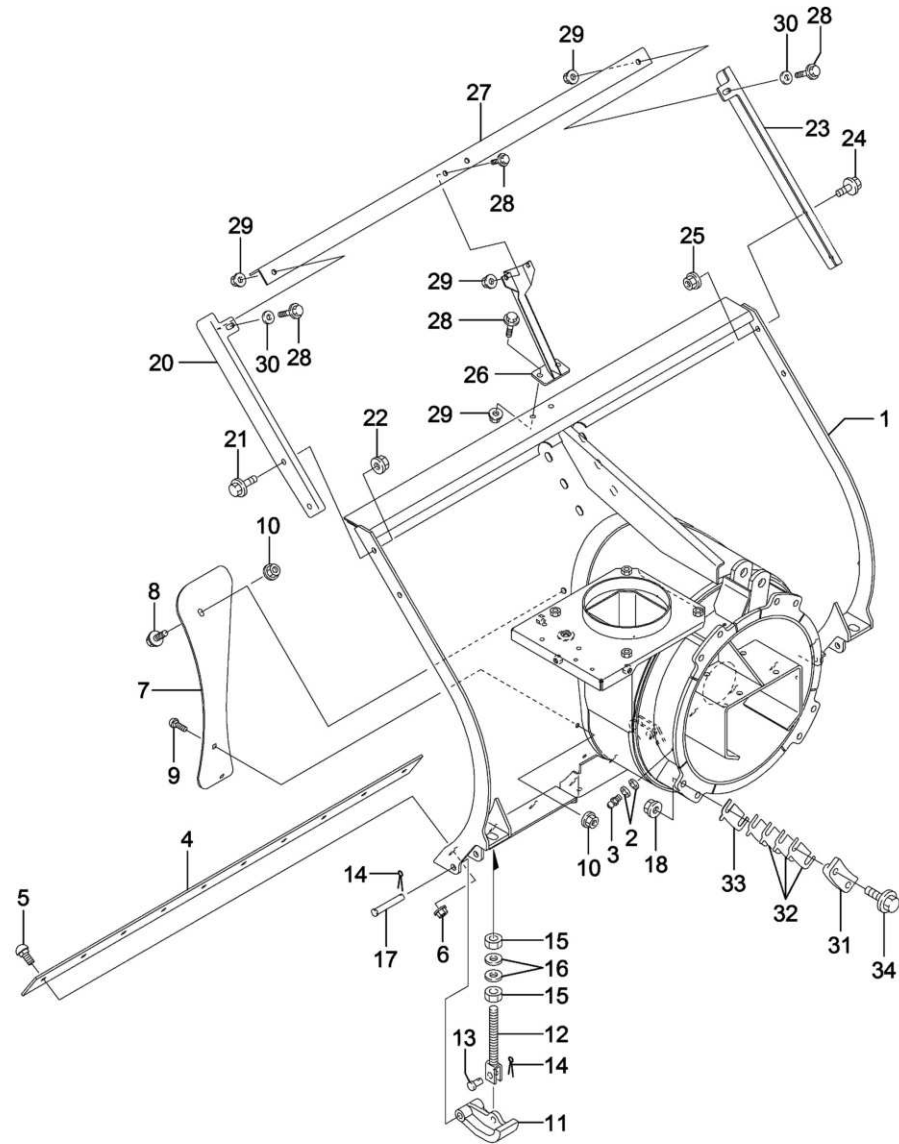




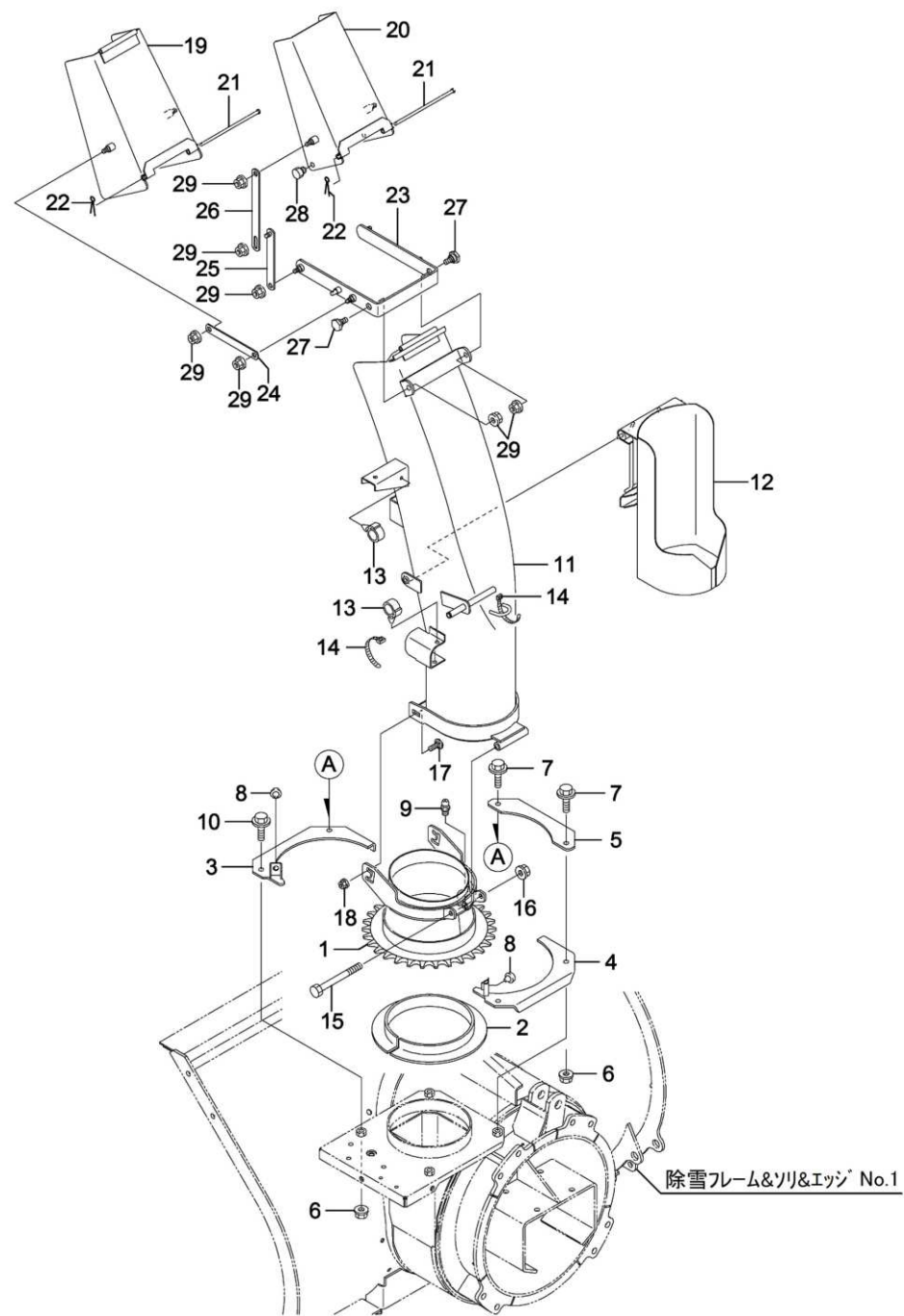
No	Product Number	Product Name	ST	Qty	Remarks	Rev. Date	No
1	75300-B54-802	ARM, SPEED SHIFTING	B2	1			1011
2	94319-50025	PIN, SPG 5 × 25		1			1012
3	94319-30025	PIN, SPG 3 × 25		1			1013
4	75913-B18-000	WIRE, 1.2 × 100		1			1014
5	75400-B16-801	ARM COMP, SUB SPEED SHIFTI	B2	1		Δ 1 2024/03/13	1021
6	94319-60025	PIN, SPG 6 × 25		1			1022
7	94319-35025	PIN, SPG 3.5 × 25		1			1023
8	75913-B18-000	WIRE, 1.2 × 100		1			1024
9	21100-B53-801	FRAME COMP, CRAWLER	B2	1			2001
10	21200-B53-800	SUPPORT L COMP, AXLE	B2	1			2101
11	96381-65000	NIPPLE, GREASE B-M6 × 1		1			2102
12	21500-B18-801	BOLT COMP, SET	B2	2		Δ 1 2025/03/10	2103
13	91235-16100	NUT, HARD LOCK 16		4			2104
14	26901-B54-801	SPROCKET, DRIVE	B2	1			2111
15	91251-1640451	WASHER, RD 16 × 40 × 4.5	M1	1			2112
16	94111-16012	WASHER, SPG 16		1			2113
17	94001-16411	NUT, 16		1			2114
18	21300-B53-800	SUPPORT R COMP, AXLE	B2	1			2201
19	96381-65000	NIPPLE, GREASE B-M6 × 1		1			2202
20	21500-B18-801	BOLT COMP, SET	B2	2		Δ 1 2025/03/10	2203
21	91235-16100	NUT, HARD LOCK 16		4			2204
22	26901-B54-801	SPROCKET, DRIVE	B2	1			2211
23	91251-1640451	WASHER, RD 16 × 40 × 4.5	M1	1			2212
24	94111-16012	WASHER, SPG 16		1			2213
25	94001-16411	NUT, 16		1			2214
26	23901-B16-000	CRAWLER, 270 × 72 × 36		2			2701



No	Product Number	Product Name	ST	Qty	Remarks	Rev. Date	No
1	26902-A09-801	WHEEL, FRONT	B2M	2		Δ 1 2024/04/04	2401
2	24902-B72-000	SHAFT B, WHEEL		2			2402
3	96105-06005	BEARING, 6005UU		4			2403
4	94003-12412	NUT, SMALL 12		4			2507
5	64902-G19-002	COLLAR, 25 × 21.2	M1	4		Δ 2 2025/06/05	2404
6	21400-B53-801	BEAM COMP, TENSION	B2	4			2405
7	94111-16012	WASHER, SPG 16		4			2406
8	94001-16411	NUT, 16		4			2407
9	26100-B51-801	WHEEL COMP, CRAWLER	B2	6			2601
10	24901-B51-000	SHAFT, WHEEL		6			2602
11	96105-06005	BEARING, 6005UU		12			2603
12	24902-B51-000	COLLAR, WHEEL		12			2604
13	94101-14010	WASHER, PLAIN 14		12			2605
14	94111-14012	WASHER, SPG 14		12			2606
15	92000-1403517	BOLT, 14 × 35		12			2607
16	21500-B53-000	BOLT COMP, TENSION	M1	2			2501
17	21901-B54-800	SUPPORT, TENSION BEAM	B2	2			2502
18	93300-1002017	BOLT, FLANGE 10 × 1.25 × 20		4			2503
19	23901-B18-000	SPRING, BJ 50 × 100		2			2504
20	21902-B54-800	HOLDER, SPRING	B2	2			2505
21	91251-1240451	WASHER, RD 12 × 40 × 4.5	M1	2			2506

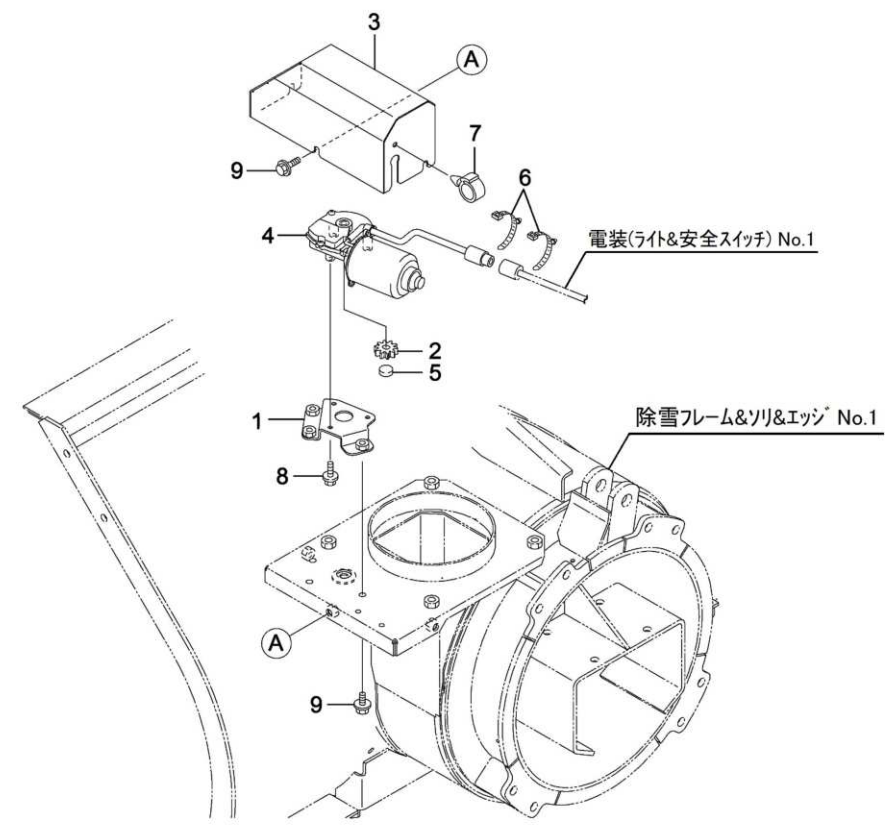


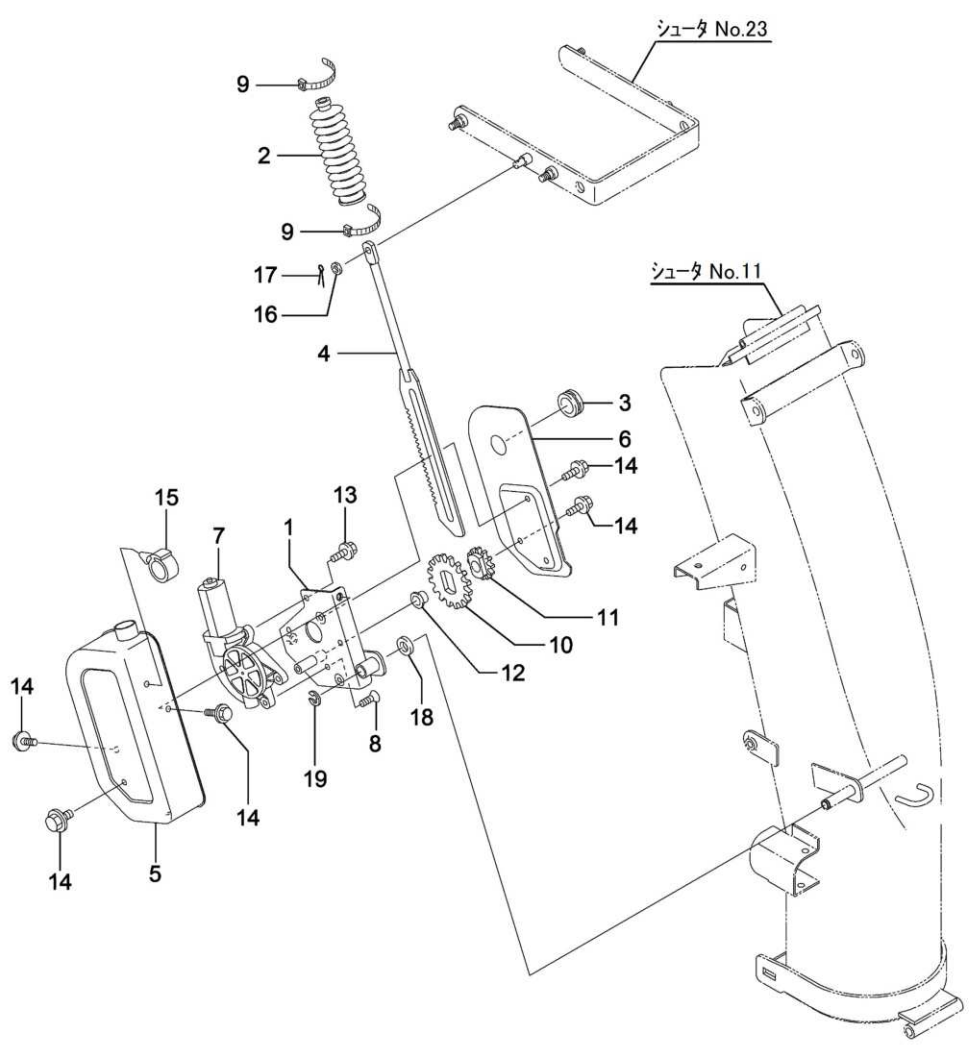
No	Product Number	Product Name	ST	Qty	Remarks	Rev. Date	No
1	31100-B85-107	HOUSING COMP, AUGER	R6	1			3001
2	94101-06010	WASHER, PLAIN 6		6			3002
3	96381-20000	NIPPLE, GREASE A-MT6 x 1		3			3003
4	31901-B53-800	EDGE	B2	1			3005
5	92600-0802014	BOLT, CUP SQUARE NECK 8 x 2		10			3006
6	94002-08410	NUT, FLANGE 8		10			3007
7	31904-B53-100F1	PLATE	R6	1			3011
8	93100-0802017	BOLT, FLANGE 8 x 20		1			3012
9	92600-0802014	BOLT, CUP SQUARE NECK 8 x 2		2			3013
10	94002-08410	NUT, FLANGE 8		3			3014
11	31901-B03-800	SKID	B2	2			3021
12	31300-A53-002	SUPPORT COMP, SKID	M1	2			3022
13	91401-A53-000	PIN, 12 x 22	M1	2			3023
14	94210-25200	PIN, SPLIT 2.5 x 20		4			3024
15	94001-16411	NUT, 16		4			3025
16	94101-16010	WASHER, PLAIN 16		4			3026
17	91402-A53-000	PIN, 12 x 70	M1	2			3027
18	94006-12410	NUT, FLANGE 12 x 1.25		8			3075
20	31905-B53-800	PLATE L, SNOW CUTTING	B2	1			3041
21	93300-1002517	BOLT, FLANGE 10 x 1.25 x 25		2			3042
22	94006-10410	NUT, FLANGE 10 x 1.25		2			3043
23	31906-B53-800	PLATE R, SNOW CUTTING	B2	1			3051
24	93300-1002517	BOLT, FLANGE 10 x 1.25 x 25		2			3052
25	94006-10410	NUT, FLANGE 10 x 1.25		2			3053
26	31400-B54-802	SUPPORT COMP, CENTER	B2	1			3061
27	31903-B53-801	BAR, SNOW CUTTING	B2	1			3062
28	93100-0802017	BOLT, FLANGE 8 x 20		6			3063
29	94002-08410	NUT, FLANGE 8		6			3064
30	94101-08015	WASHER, PLAIN 8		2			3065
31	31400-B18-800	GUIDE COMP, ROLLING	B2	4			3071
32	31902-B18-000	SHIM	M1	16			3072
33	31903-B18-000	SHIM, 0.6	M1	4			3073
34	93300-1204517	BOLT, FLANGE 12 x 1.25 x 45		8			3074



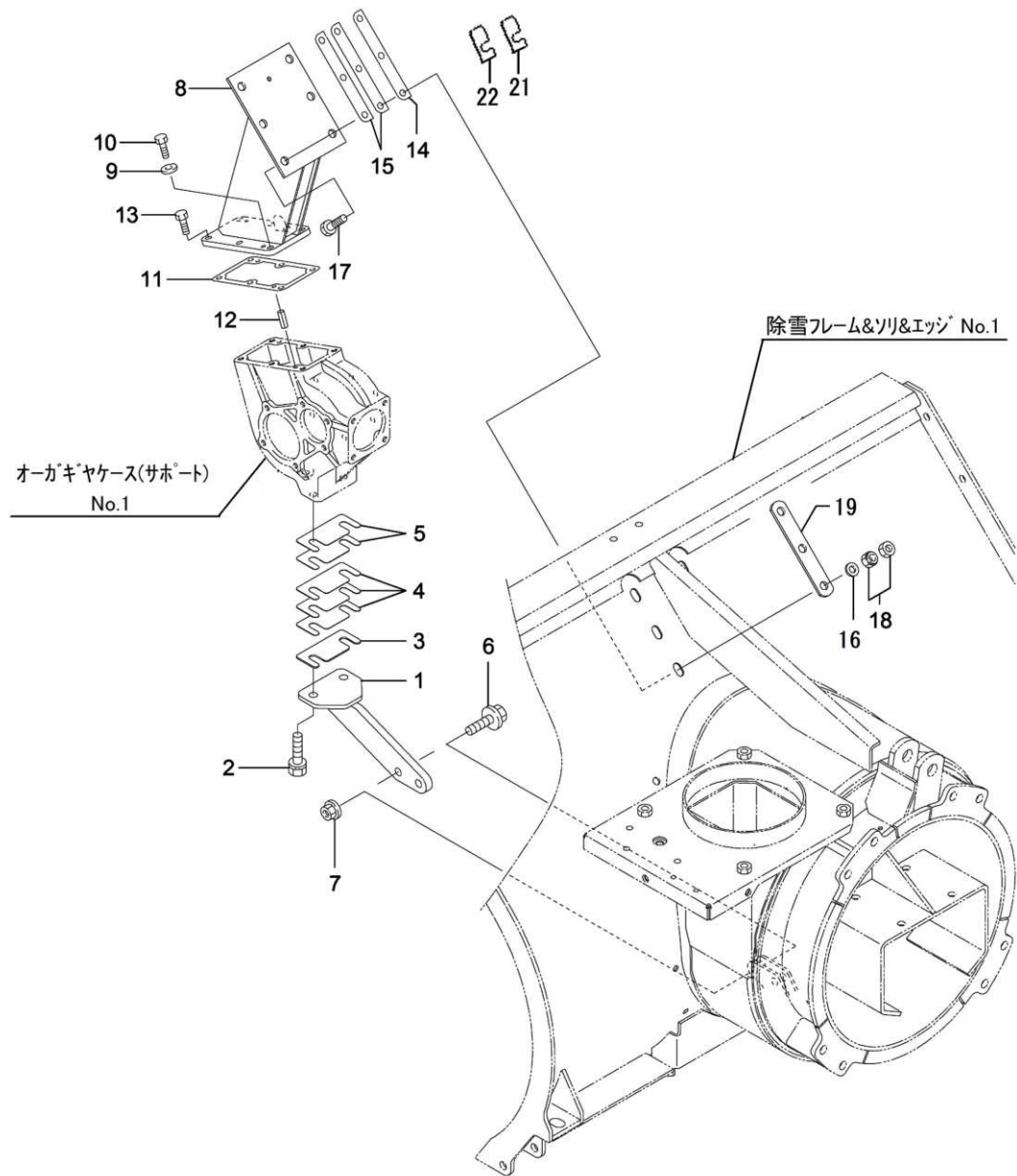
No	Product Number	Product Name	ST	Qty	Remarks	Rev. Date	No
1	33200-B72-107	BASE COMP, CHUTE	R6	1			3351
2	33903-B72-001	RING		1			3354
3	33300-B72-103	STOPPER F COMP, CHUTE	R6	1			3352
4	33400-B72-103	STOPPER R COMP, CHUTE	R6	1			3353
5	33906-B72-104	GUIDE, STOPPER	R6	1			3355
6	94006-10410	NUT, FLANGE 10 × 1.25		4			3373
7	93300-1003517	BOLT, FLANGE 10 × 1.25 × 35		2			3372
8	33907-B72-000	RUBBER		2			3356
9	96381-20000	NIPPLE, GREASE A-MT6 × 1		1			3374
10	93300-1003017	BOLT, FLANGE 10 × 1.25 × 30		2			3371
11	33100-B72-105	CHUTE COMP, 900	R6	1			3301
12	33200-B50-003	COVER COMP, CARTRIDGE	R6	1			3302
13	91315-C4397	CLIP, CABLE C-4397		2			3312
14	91311-140	BAND, REPEAT RF140		2			3311
15	92100-1010017	BOLT, 10 × 1.25 × 100		1			3313
16	94006-10410	NUT, FLANGE 10 × 1.25		1			3316
17	92600-0802014	BOLT, CUP SQUARE NECK 8 × 2		2			3314
18	94002-08410	NUT, FLANGE 8		2			3315
19	33300-B53-600F2	DEFLECTOR A COMP, CHUTE	B4M	1			3401
20	33400-B53-600F2	DEFLECTOR B COMP, CHUTE	B4M	1			3402
21	91262-061650	PIN, CHUTE 6 × 165	M1	2			3421
22	94210-20120	PIN, SPLIT 2 × 12		2			3424
23	33500-B72-801	ARM COMP, CHUTE	B2	1			3403
24	33902-B53-800	ARM 129, LINK	B2	2			3405
25	33600-B53-800	LINK A COMP, CHUTE	B2	2			3404
26	33908-B72-802	LINK B, CHUTE	B2	2			3407
27	33904-B53-000	BOLT, SHOULDER	M1	2			3406
28	91361-18N0	PLUG, HOLE 18N0		2			3422
29	94002-08410	NUT, FLANGE 8		12			3423

No	Product Number	Product Name	ST	Qty	Remarks	Rev. Date	No
1	31300-B72-830	BRACKET COMP, MOTOR	B2	1			3471
2	33905-B72-031	GEAR, MOTOR		1			3472
3	38200-B72-103	COVER COMP, MOTOR	R6C	1			3473
4	81100-B82-001	MOTOR, 8157		1			3474
5	38902-B72-000	WHEEL, NYLON		1			3475
6	91314-119P7	STRAP, CABLE 1-19P7		2			3481
7	91315-C4397	CLIP, CABLE C-4397		1			3482
8	93100-0601617	BOLT, FLANGE 6 x 16		3			3483
9	93100-0801617	BOLT, FLANGE 8 x 16		6			3484

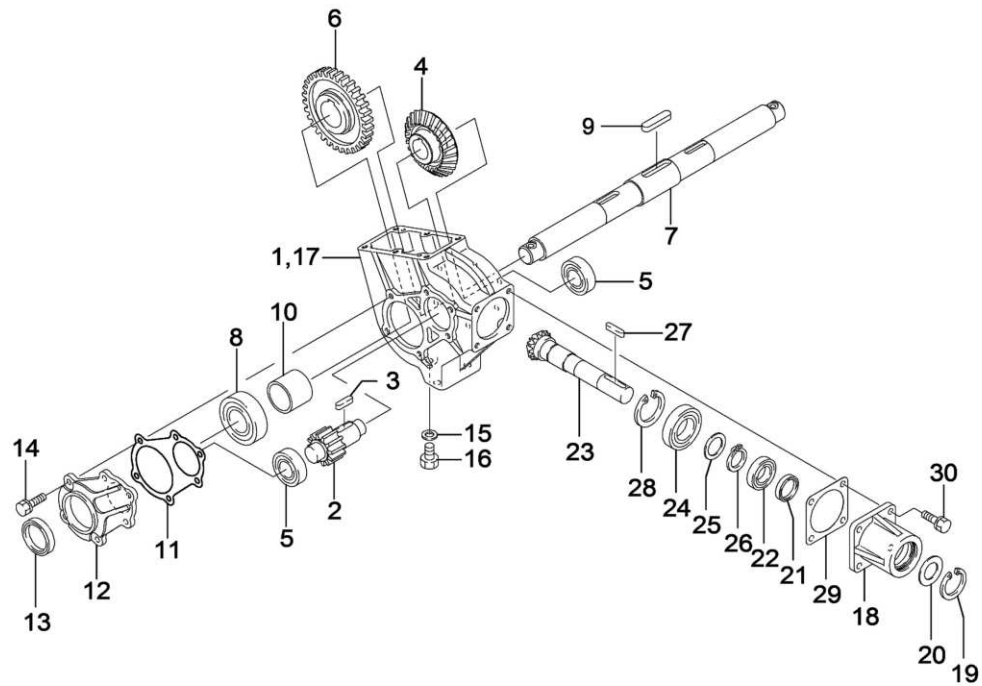




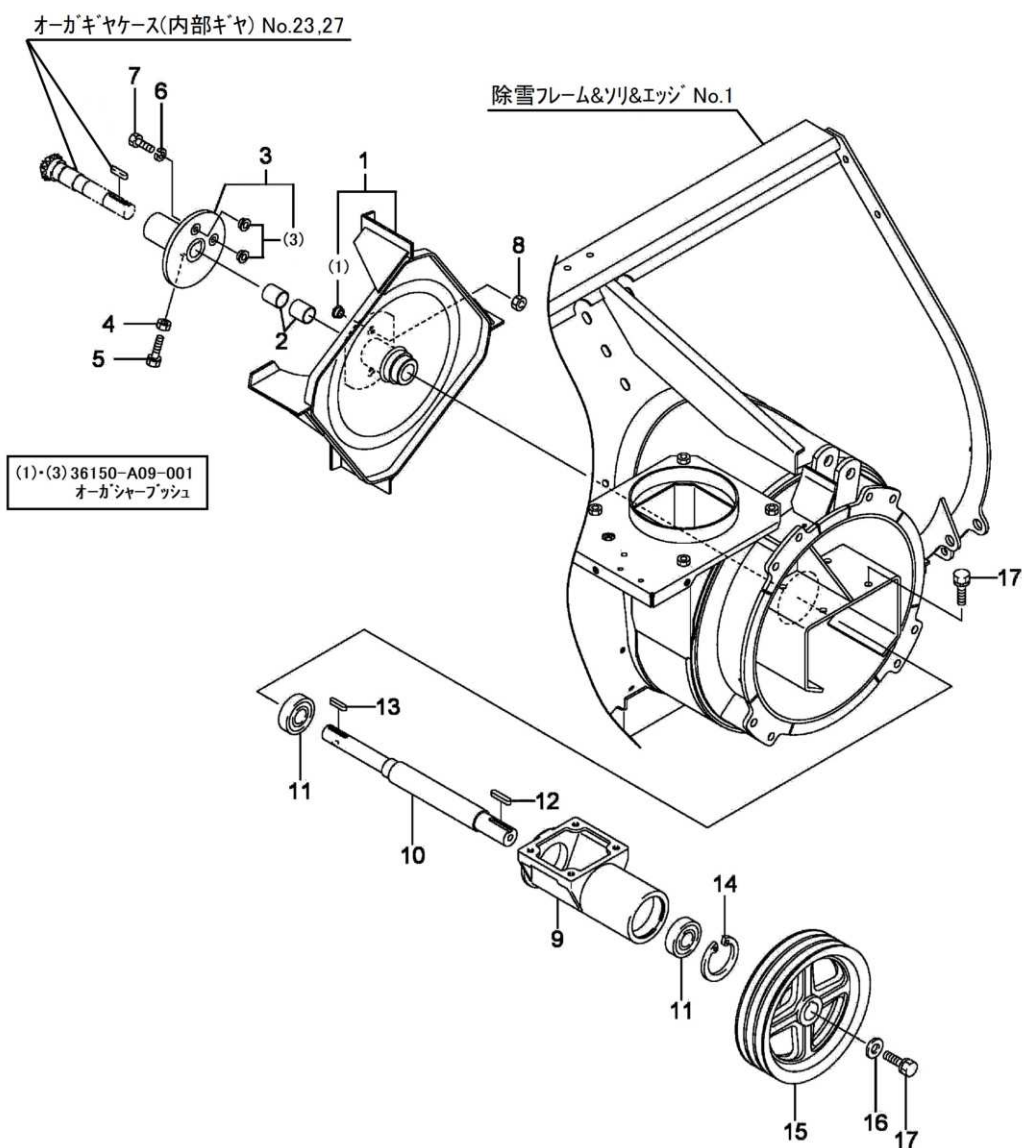
No	Product Number	Product Name	ST	Qty	Remarks	Rev. Date	No
1	33700-B72-103	BRACKET A COMP, MOTOR	R6D	1			3431
2	33904-B08-000	BOOT, CHUTE		1			3462
3	91358-1202515	BUSH, RUBBER NG-79-N		1			3439
4	34200-B72-803	RACK COMP, CHUTE	B2	1			3461
5	38100-B72-101	COVER COMP, MOTOR	R6C	1			3434
6	38905-B72-801	COVER, MOTOR	B2	1			3435
7	81100-B53-002	MOTOR, JC578VA		1			3436
8	91217-0601674	BOLT, COUNTERSUNK HEX SOC M2 X 16		1			3437
9	91316-2140	BAND, CABLE CV-140SW		2			3463
10	33902-B56-002	GEAR, M2 X 32		1			3432
11	33903-B56-003	GEAR, M2 X 18		1			3433
12	91644-121080	BUSH, 80F-1210		1			3451
13	93100-0601617	BOLT, FLANGE 6 X 16		3			3453
14	93100-0601217	BOLT, FLANGE 6 X 12		6			3452
15	91315-C4397	CLIP, CABLE C-4397		1			3438
16	94101-08010	WASHER, PLAIN 8		1			3464
17	94210-25150	PIN, SPLIT 2.5 X 15		1			3465
18	94101-12010	WASHER, PLAIN 12		1			3454
19	94511-09010	RING, E 9		1			3455



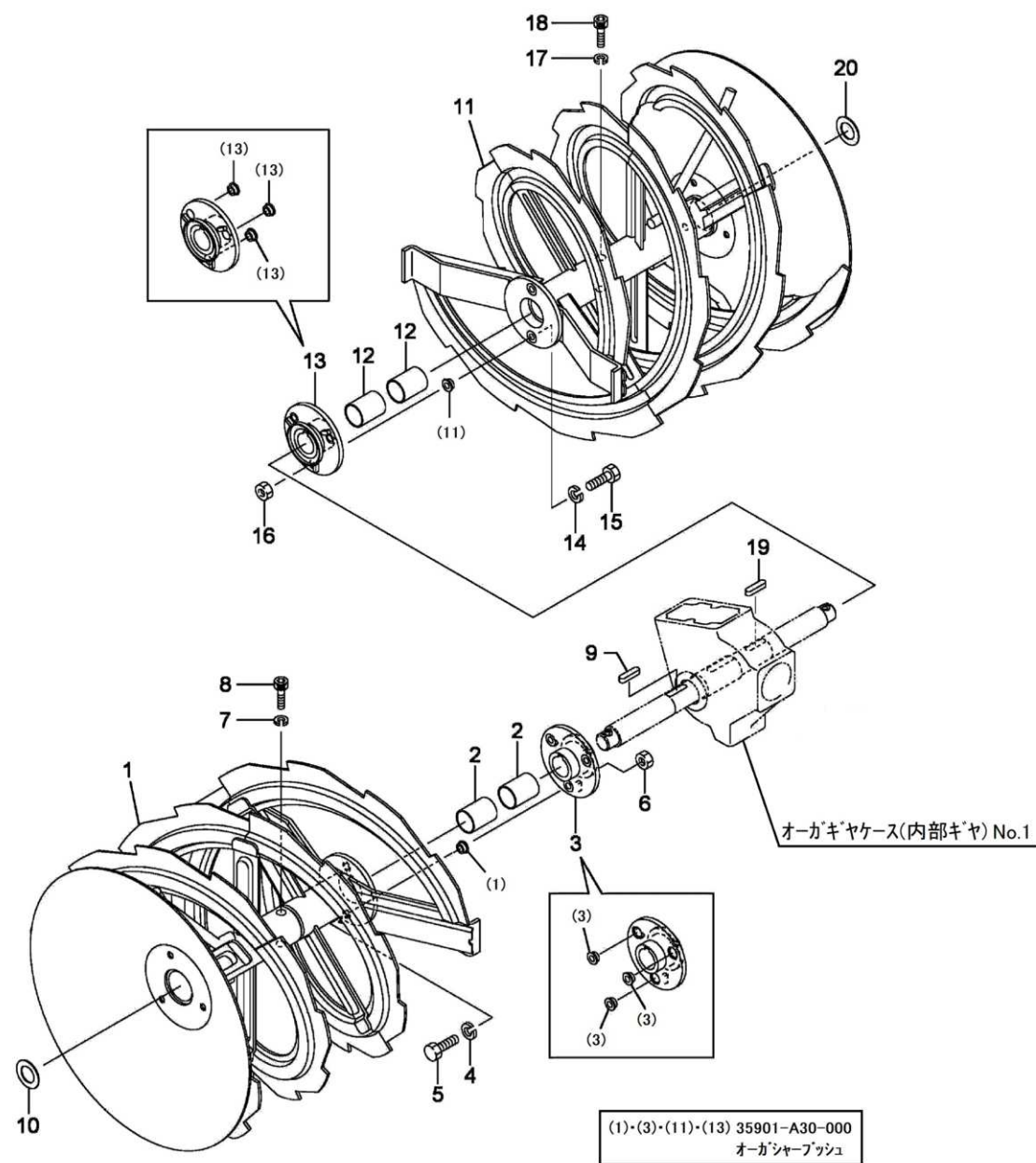
No	Product Number	Product Name	ST	Qty	Remarks	Rev. Date	No
1	31200-B53-800	SUPPORT COMP, GEAR CASE	B2	1			3101
2	91219-1030010	BOLT, PRECOATED WITH SPRIN		2			3102
3	31907-A71-001	LINER, GEAR CASE 2.0	M1	1	ホント		3103
4	31908-A71-001	LINER, GEAR CASE 0.6	M1	3	ホント		3104
5	31906-A83-000	SHIM, 0.3		2			3107
6	93300-1003517	BOLT, FLANGE 10 × 1.25 × 35		2			3105
7	94006-10410	NUT, FLANGE 10 × 1.25		2			3106
8	31200-A83-600F3	SUPPORT COMP, AUGER GEAR	B4M	1			3191
9	91691-1018305	PACKING, 10 × 18 × 3		1			3192
10	92000-1001014	BOLT, 10 × 10		1			3193
11	31902-A71-001	PACKING, GEAR CASE COVER		1			3211
12	94319-60016	PIN, SPG 6 × 16		2			3212
13	91219-0825010	BOLT, PRECOATED WITH SPRIN		6			3213
14	31903-A83-001	LINER, SUPPORT 1.0	M1	2	ホント		3241
15	31904-A83-001	LINER, SUPPORT 2.0	M1	5	ホント		3242
16	94101-10010	WASHER, PLAIN 10		6			3246
17	92200-1004017	BOLT, 10 × 40		6			3244
18	91235-10100	NUT, HARD LOCK 10		6			3245
19	31905-A83-400F1	PLATE A	R6	2			3243
21	31904-B72-000	SHIM, 2	M1	1			3248
22	31903-B72-000	SHIM, 1	M1	2			3247



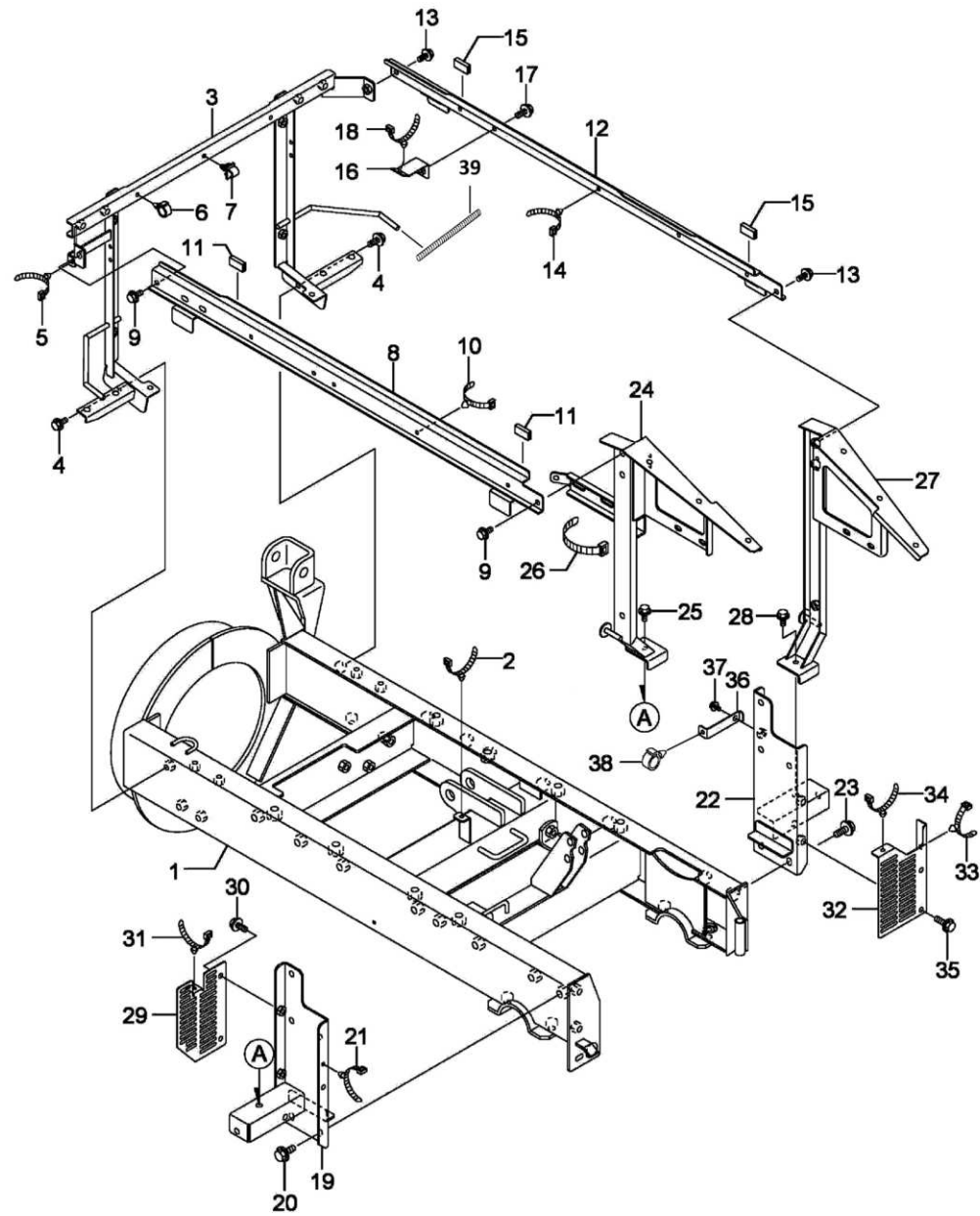
No	Product Number	Product Name	ST	Qty	Remarks	Rev. Date	No
1	31911-A26-701	CASE, AUGER GEAR	B3M	1			3151
2	32903-A70-000	GEAR, SPUR M3.5 × 10		1			3152
3	97115-030241	KEY, 8 × 7 × 30RR		1			3153
4	32907-A70-001	GEAR, BEVEL M3 × 33		1			3154
5	96100-06205	BEARING, 6205		2			3155
6	32904-A70-000	GEAR, SPUR M3.5 × 35		1			3156
7	34901-B56-002	SHAFT, AUGER		1			3157
8	96100-06207	BEARING, 6207		2			3158
9	97117-032141	KEY, 12 × 8 × 32SR		1			3159
10	32905-A09-001	COLLAR, 40 × 40		1			3171
11	31903-A71-001	PACKING, GEAR CASE COVER		2			3172
12	31904-A09-730F1	COVER, GEAR CASE	B3M	2			3173
13	98251-3505511	SEAL, OIL D355511		2			3174
14	91219-0825010	BOLT, PRECOATED WITH SPRIN		12			3175
15	91691-1018305	PACKING, 10 × 18 × 3		1			3176
16	92000-1001614	BOLT, 10 × 16		1			3177
18	31906-A70-700	HOUSING, INPUT	B3M	1			3221
19	94520-45080	CIRCLIP, IN 45		1			3222
20	31906-A71-001	WASHER, PROTECT	M1	1		Δ 1 2025/12/03	3223
21	98251-2504008	SEAL, OIL D25408		1			3224
22	96100-06005	BEARING, 6005		1			3225
23	32901-B07-000	GEAR, BEVEL M3 × 14		1			3226
24	96100-06028	BEARING, 60/28		1			3227
25	32905-A70-001	WASHER, THRUST 28 × 40 × 2	M1	1		Δ 1 2025/12/03	3228
26	94510-28080	CIRCLIP, EX 28		1			3229
27	97114-033041	KEY, 7 × 7 × 33S		1			3230
28	94520-52080	CIRCLIP, IN 52		1			3231
29	31905-A71-001	PACKING, INPUT HOUSING		1			3232
30	91219-0825010	BOLT, PRECOATED WITH SPRIN		4			3233



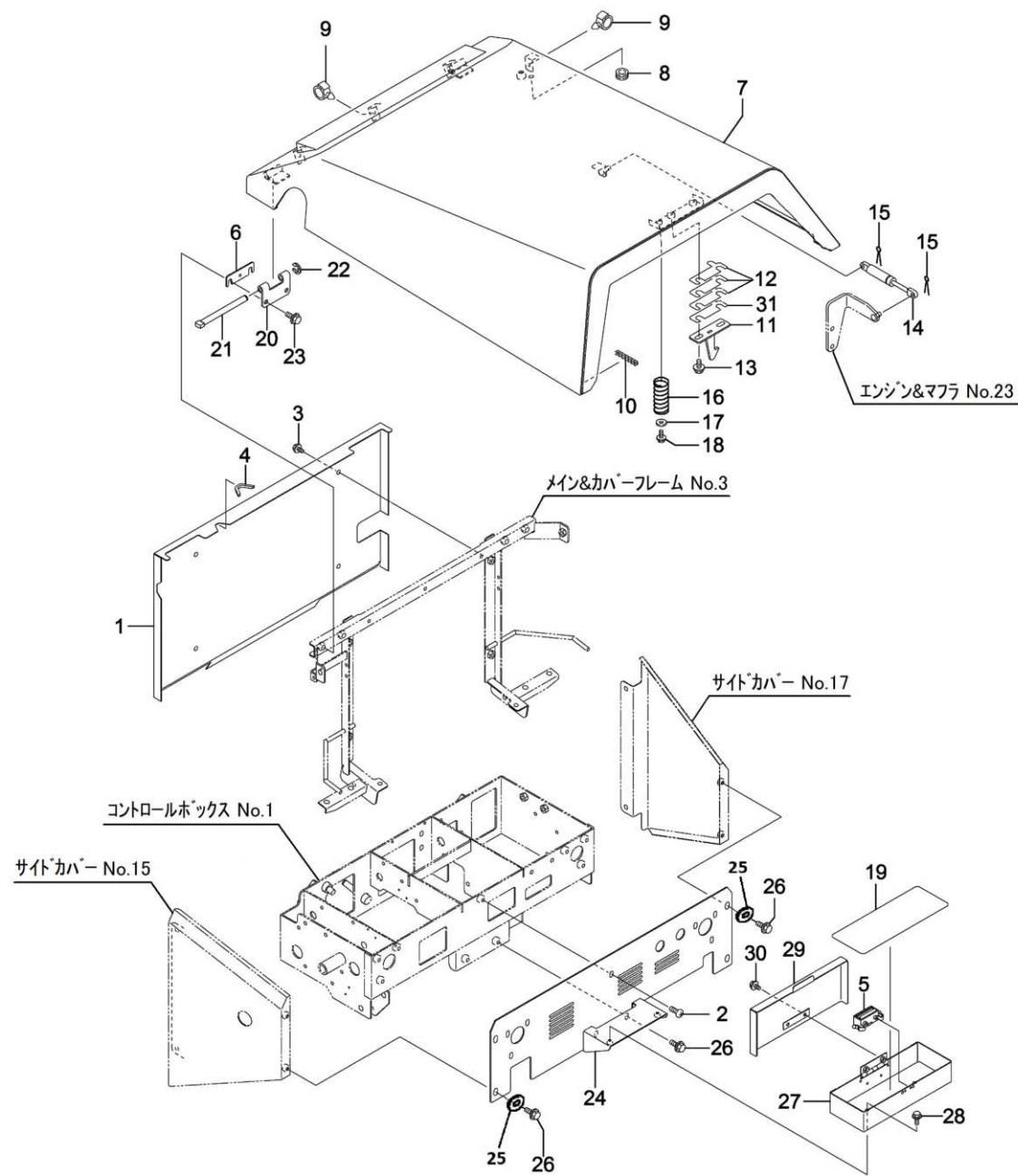
No	Product Number	Product Name	ST	Qty	Remarks	Rev. Date	No
1	36100-A91-808	BLOWER COMP	B2	1			3601
2	91646-2530R	BUSH, BM2530FS		2			3602
3	36200-A91-800	JOINT COMP, AUGER	B2	1			3603
4	94003-10412	NUT, SMALL 10		1			3604
5	91212-1030147	BOLT, POINTED 10×30		1			3605
6	94111-08012	WASHER, SPG 8		1	ブローシャープ		3606
7	92001-0802514	BOLT, 8×25		1	ブローシャープ		3607
8	94001-08412	NUT, 8		1	ブローシャープ		3608
9	36901-B18-700	HOUSING, BLOWER SHAFT	B3M	1			3621
10	34901-B16-000	SHAFT, BLOWER		1			3622
11	96105-06306	BEARING, 6306UU		2			3623
12	97115-040041	KEY, 8×7×40S		1			3624
13	97114-033041	KEY, 7×7×33S		1			3625
14	94520-72080	CIRCLIP, IN 72		1			3626
15	63901-B53-700	PULLEY, 231B-3×30	B3M	1			3651
16	91251-1035451	WASHER, RD 10×35×4.5	M1	1			3652
17	93000-1002517	BOLT, LOCK 10×25		5			3653



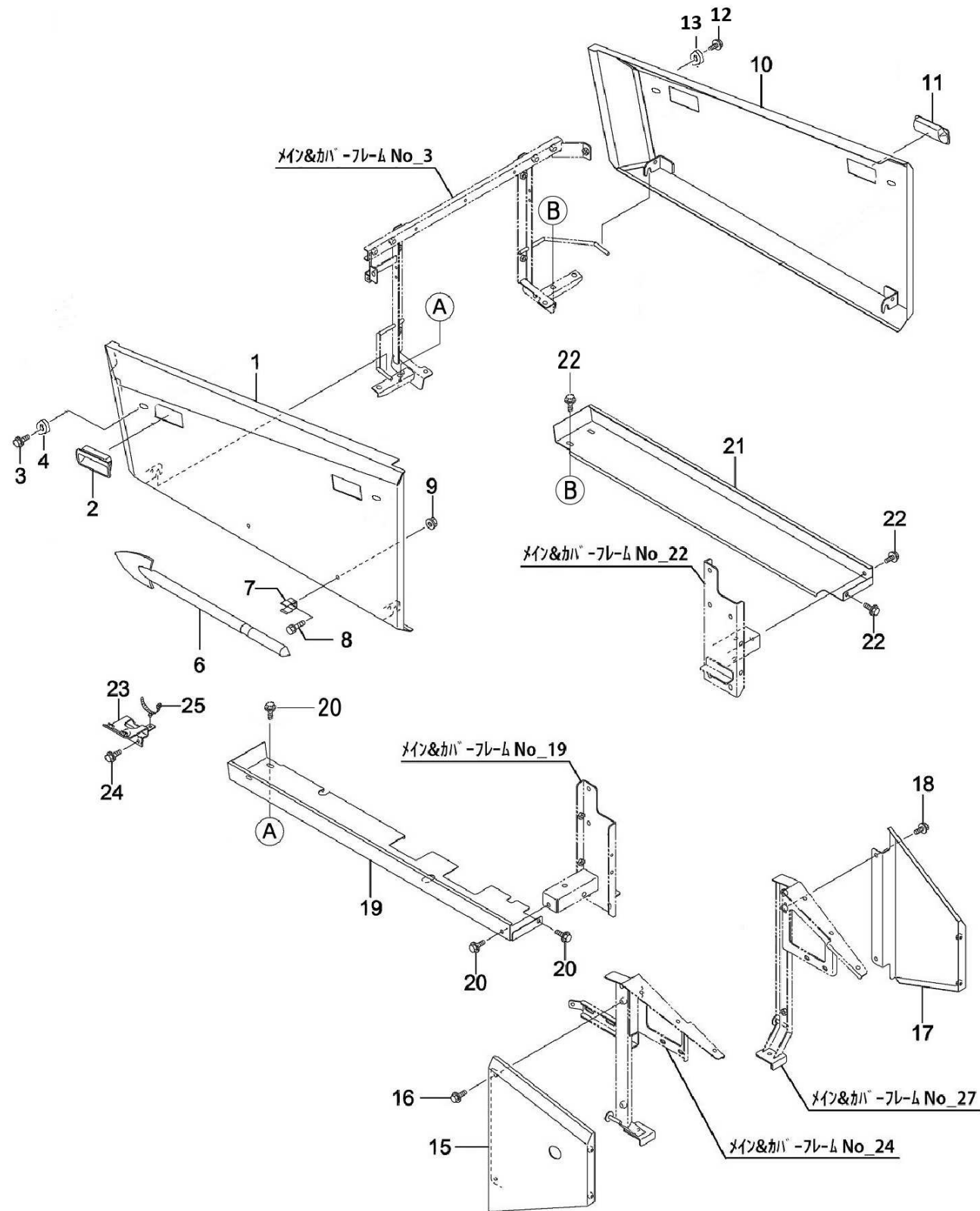
No	Product Number	Product Name	ST	Qty	Remarks	Rev. Date	No
1	35100-B78-605	AUGER L COMP	B4M	1			3501
2	91646-3550R	BUSH, BM3550FS		2			3502
3	35500-B72-803	FLANGE COMP, AUGER SHEAR	B2	1			3503
4	94111-10012	WASHER, SPG 10		1	オーガシャブッシュ		3504
5	92001-1003014	BOLT, 10×30		1	オーガシャブッシュ		3505
6	94001-10412	NUT, 10		1	オーガシャブッシュ		3506
7	94111-08012	WASHER, SPG 8		1			3507
8	93900-0803009	SCREW, 8×30		1			3508
9	97116-040241	KEY, 10×8×40RR		1			3509
10	91926-A09-000	WASHER, THRUST	M1	1			3511
11	35200-B78-605	AUGER R COMP	B4M	1			3521
12	91646-3550R	BUSH, BM3550FS		2			3522
13	35500-B72-803	FLANGE COMP, AUGER SHEAR	B2	1			3523
14	94111-10012	WASHER, SPG 10		1	オーガシャブッシュ		3524
15	92001-1003014	BOLT, 10×30		1	オーガシャブッシュ		3525
16	94001-10412	NUT, 10		1	オーガシャブッシュ		3526
17	94111-08012	WASHER, SPG 8		1			3527
18	93900-0803009	SCREW, 8×30		1			3528
19	97116-040241	KEY, 10×8×40RR		1			3529
20	91926-A09-000	WASHER, THRUST	M1	1			3531



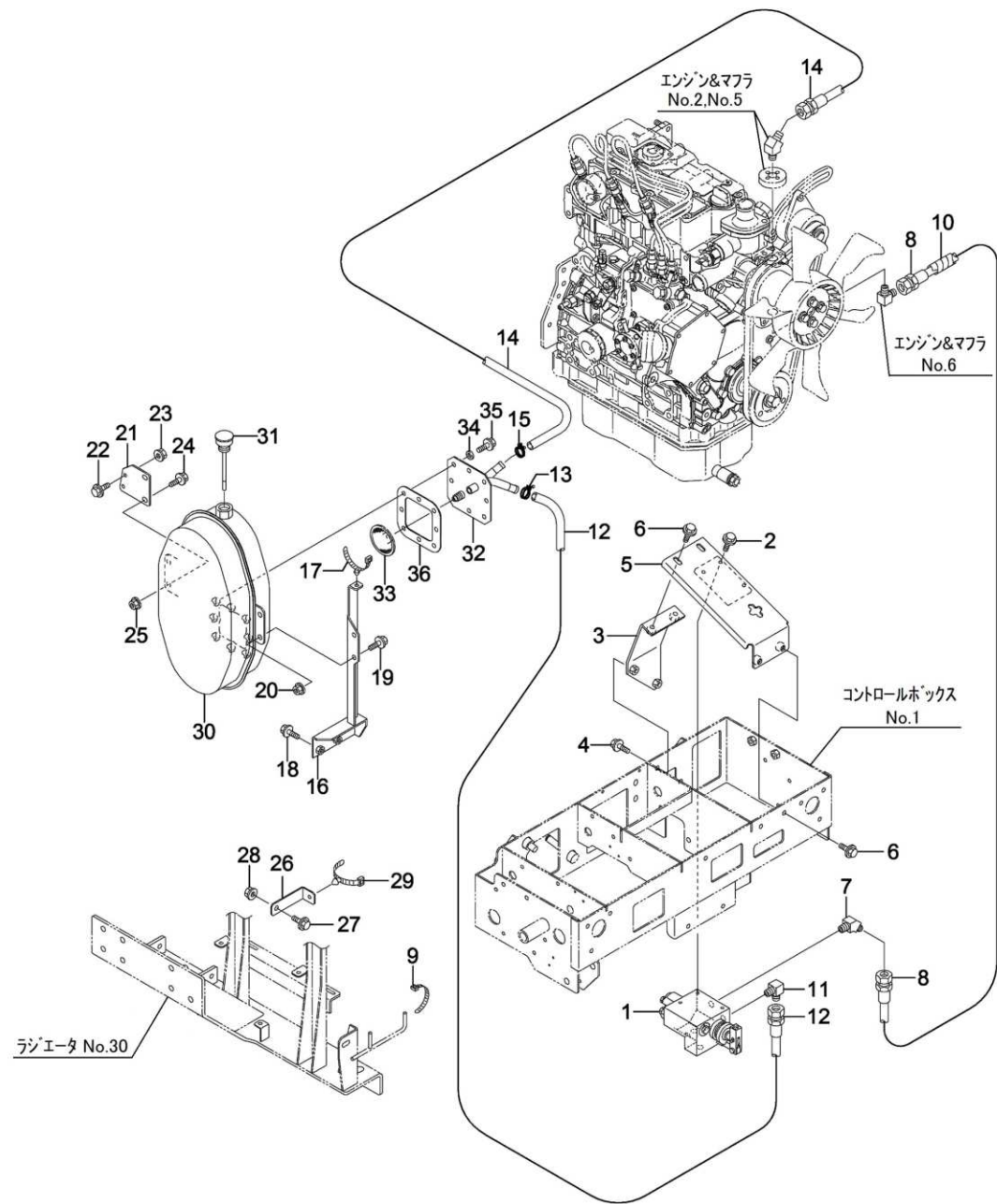
No	Product Number	Product Name	ST	Qty	Remarks	Rev. Date	No
1	41100-B53-809	FRAME COMP, MAIN	B2	1		Δ 2 2024/02/16	4001
2	91314-119P7	STRAP, CABLE 1-19P7		1			4002
3	47700-B85-800	FRAME COMP, FRONT	B2	1			4011
4	93100-0801617	BOLT, FLANGE 8 × 16		4			4012
5	91314-119P7	STRAP, CABLE 1-19P7		1			4013
6	91315-C1J77	CLIP, CABLE C-1J77		1			4017
7	91315-A3455	CLIP, CABLE A-3455		3			4018
8	47300-B86-801	COVER L COMP, SIDE	B2	1		Δ 1 2026/03/16	4031
9	93100-0801617	BOLT, FLANGE 8 × 16		2			4032
10	91314-11765	STRAP, CABLE 1-1765		2			4033
11	48903-B53-000	PROTECTOR, RUBBER 12 × 25		2			4034
12	47400-B86-801	COVER R COMP, SIDE	B2	1			4041
13	93100-0801617	BOLT, FLANGE 8 × 16		2			4042
14	91314-11765	STRAP, CABLE 1-1765		4			4043
15	48903-B53-000	PROTECTOR, RUBBER 12 × 25		2			4044
16	57600-B85-800	STAY COMP, HYDRAULIC HOSE	B2	1			4051
17	93100-0601217	BOLT, FLANGE 6 × 12		1			4052
18	91314-11765	STRAP, CABLE 1-1765		1			4053
19	41200-B85-801	BRACKET L COMP, PANEL	B2	1		Δ 1 2023/06/02	4301
20	93300-1002517	BOLT, FLANGE 10 × 1.25 × 25		2			4302
21	91314-119P7	STRAP, CABLE 1-19P7		1			4303
22	41300-B85-802	BRACKET R COMP, PANEL	B2	1		Δ 2 2026/03/05	4321
23	93300-1002517	BOLT, FLANGE 10 × 1.25 × 25		2			4322
24	48500-B85-803	FRAME L COMP, REAR COVER	B2	1			4351
25	93100-0801617	BOLT, FLANGE 8 × 16		1			4352
26	91311-250	BAND, REPEAT RF250		1			4353
27	48600-B85-803	FRAME R COMP, REAR COVER	B2	1			4371
28	93100-0801617	BOLT, FLANGE 8 × 16		1			4372
29	49901-B85-800	COVER FL, REAR	B2	1			4421
30	93100-0801617	BOLT, FLANGE 8 × 16		2			4422
31	91314-119P7	STRAP, CABLE 1-19P7		1			4423
32	49903-B85-801	COVER RR, REAR	B2	1			4501
33	91314-15782	STRAP, CABLE 1-5782		1			4502
34	91315-C2S12	CLIP, CABLE C-2S12		2			4503
35	93100-0801617	BOLT, FLANGE 8 × 16		2			4504
36	41901-B85-800	STAY, CABLE	B2	1			4651
37	93100-0801617	BOLT, FLANGE 8 × 16		1			4652
38	91315-C2S12	CLIP, CABLE C-2S12		1			4653
39	91382-1001001	CORRUGATE 10 × 100		1		Δ 1 2026/02/25	4020



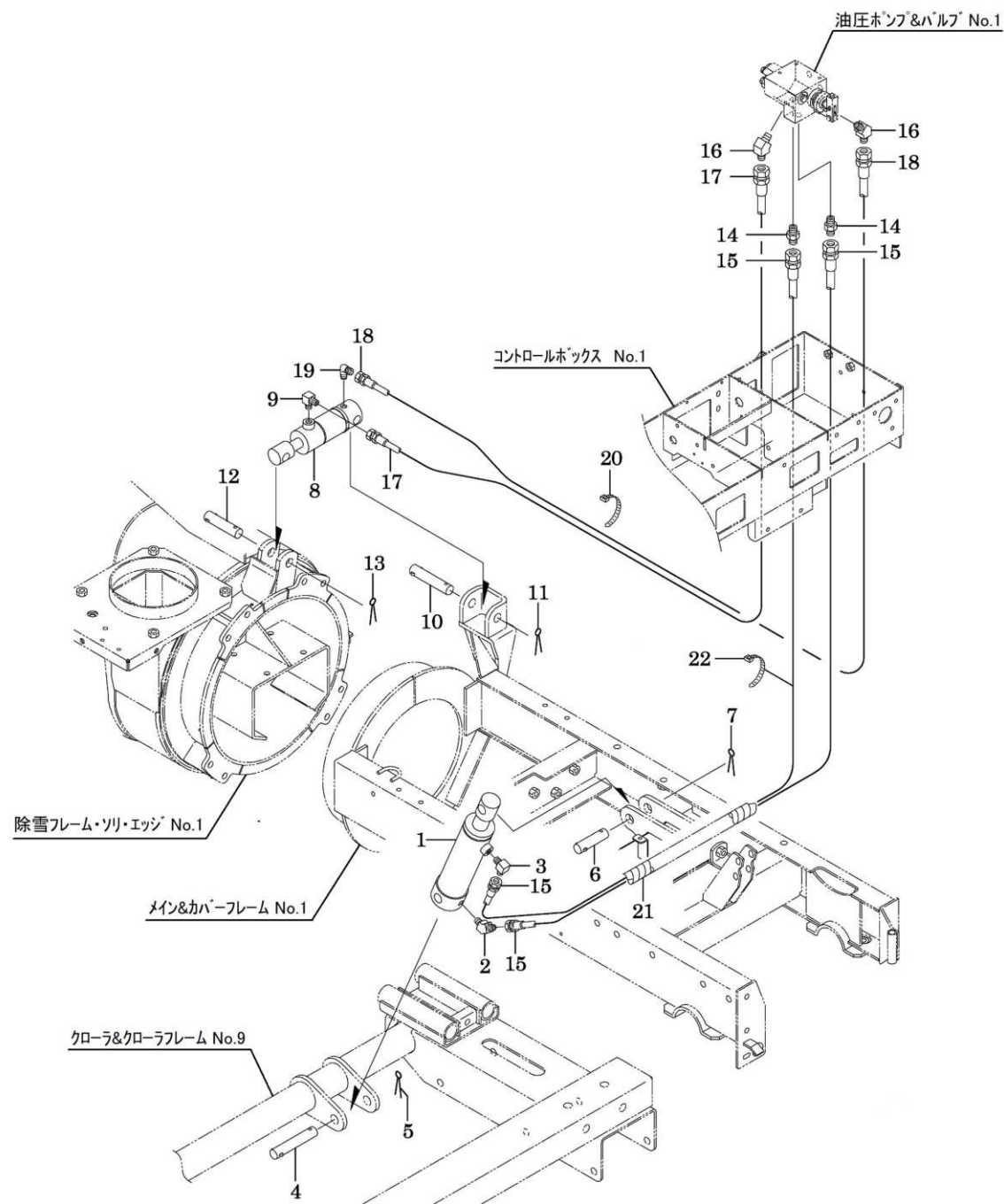
No	Product Number	Product Name	ST	Qty	Remarks	Rev. Date	No
1	47901-B85-801	COVER, FRONT	B2	1			4014
2	93100-0801617	BOLT, FLANGE 8×16		1		Δ 1 2025/06/03	4555
3	93100-0801657	BOLT, FLANGE 8×16		4			4016
4	91363-12050	PROTECTOR, EDGE 1.2t×50		1			4019
5	42901-B72-000	MAGNET, C-931		1			4557
6	48908-B72-800	SHIM	B2	2			4901
7	48100-B85-005	BONNET COMP	W1	1		Δ 1 2024/06/03	4101
8	91351-1081020	BUSH, RUBBER BSB-21		1			4102
9	91315-C4397	CLIP, CABLE C-4397		2			4103
10	91360-12040	GROMMET, TH-12(40)		2			4104
11	76800-B56-801	HOOK COMP	B2	1			4111
12	31902-B18-000	SHIM	M1	3			4112
13	93100-0801617	BOLT, FLANGE 8×16		2			4113
14	40001-B99-000	GAS SPRING, WA200		1		Δ 1 2023/03/30	4121
15	94210-25150	PIN, SPLIT 2.5×15		2			4122
16	91603-B18-000	SPRING, BONNET	M1B	1			4131
17	94101-06015	WASHER, PLAIN 6		1			4132
18	93100-0601617	BOLT, FLANGE 6×16		1			4133
19	42901-B53-000	SHEET, RUBBER		1			4556
20	49901-B72-802	HINGE, BONNET	B2	2			4151
21	49902-B72-000	PIN, HINGE	M1	2			4152
22	94511-07010	RING, E 7		2			4153
23	93100-0802017	BOLT, FLANGE 8×20		4			4154
24	49600-B78-001	COVER COMP, REAR	R6	1			4521
25	94101-08015	WASHER, PLAIN 8		4		Δ 2 2025/11/12	4522
26	93100-0801617	BOLT, FLANGE 8×16		6			4523
27	42100-B72-831	BOX COMP, TOOL	B2	1			4551
28	93100-0601217	BOLT, FLANGE 6×12		2			4552
29	42200-B72-800	COVER COMP, TOOL BOX	B2	1			4553
30	93100-0601257	BOLT, FLANGE 6×12		2			4554
31	31903-B18-000	SHIM, 0.6	M1	1			4114



No	Product Number	Product Name	ST	Qty	Remarks	Rev. Date	No
1	49500-B86-100	COVER L COMP, SIDE	R6	1			4201
2	48901-B69-030	HANDLE, AP-197-1-3		2			4202
3	93100-0801617	BOLT, FLANGE 8×16		2			4203
4	94101-08015	WASHER, PLAIN 8		2			4204
6	39901-B51-001	BAR, SNOW CLEANING		1			4211
7	39902-A65-001	HOLDER, BAR		2			4212
8	92200-0801617	BOLT, 8×16		2			4213
9	94002-08410	NUT, FLANGE 8		2			4214
10	49600-B86-100	COVER R COMP, SIDE	R6	1			4251
11	48901-B69-030	HANDLE, AP-197-1-3		2			4252
12	93100-0801617	BOLT, FLANGE 8×16		2			4253
13	94101-08015	WASHER, PLAIN 8		2			4254
15	48700-B85-101	COVER L COMP, REAR SIDE	R6C	1			4601
16	93100-0801617	BOLT, FLANGE 8×16		2			4602
17	48800-B85-101	COVER R COMP, REAR SIDE	R6C	1			4621
18	93100-0801617	BOLT, FLANGE 8×16		2			4622
19	48903-B85-803	COVER L, UNDER	B2	1		Δ 1 2026/03/05	4061
20	93100-0801617	BOLT, FLANGE 8×16		4			4062
21	48904-B85-802	COVER R, UNDER	B2	1			4071
22	93100-0801617	BOLT, FLANGE 8×16		4			4072
23	47500-B85-801	BRACKET COMP, MUFFLER	B2	1		Δ 1 2023/02/03	4451
24	93100-0801617	BOLT, FLANGE 8×16		2			4452
25	91314-119P7	STRAP, CABLE 1-19P7		1			4453

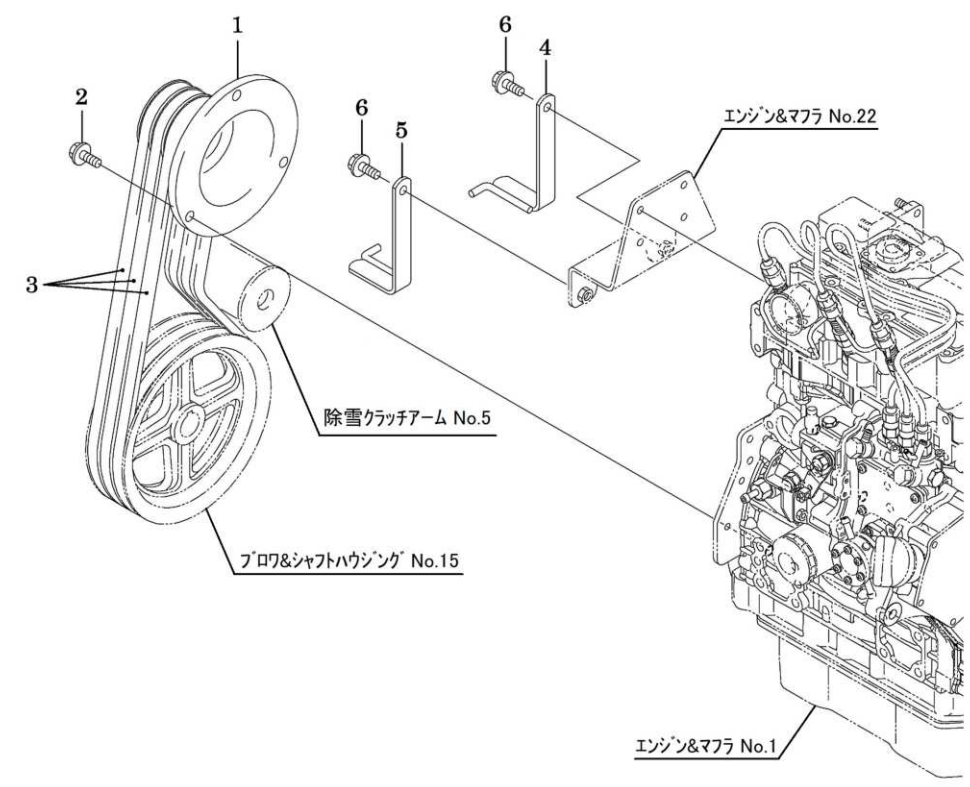


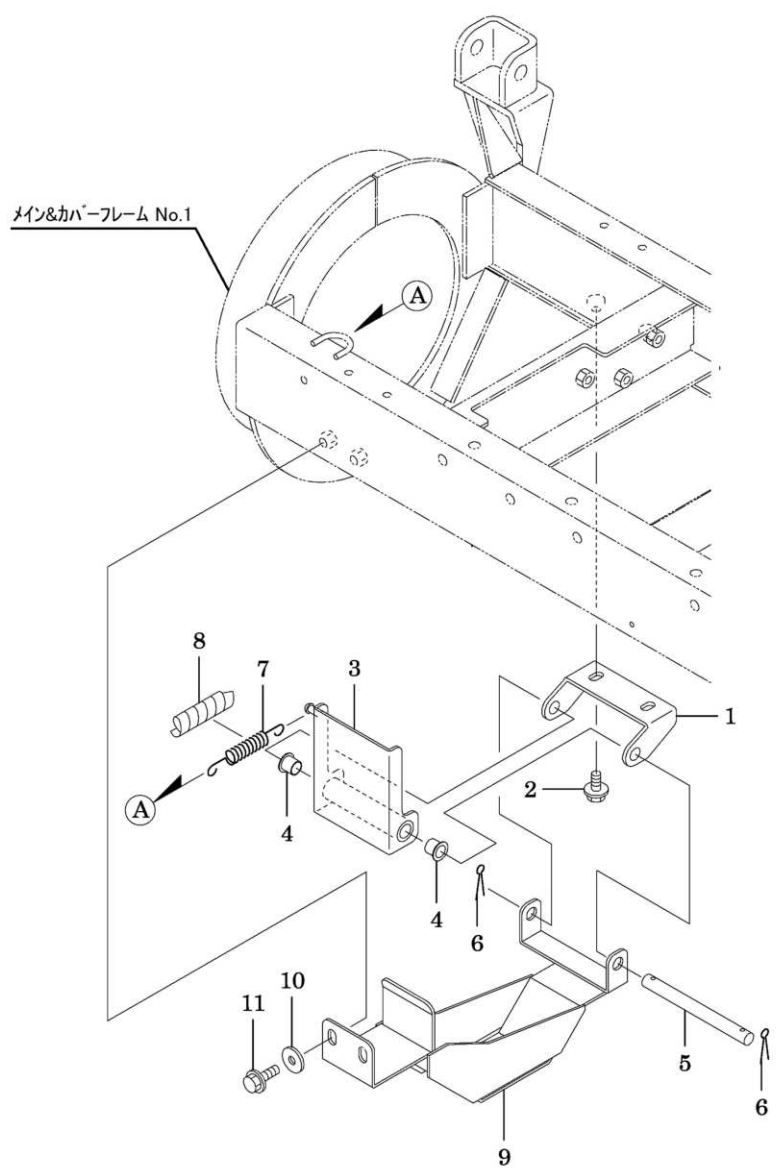
No	Product Number	Product Name	ST	Qty	Remarks	Rev. Date	No
1	50001-B53-003	VALVE, DCV1		1			5001
2	93100-0602017	BOLT, FLANGE 6 × 20		3			5002
3	51200-B51-800	BRACKET COMP, VALVE BASE	B2	1			5011
4	93100-0801617	BOLT, FLANGE 8 × 16		2			5012
5	51100-B74-801	BASE COMP, VALVE	B2	1			5021
6	93100-0801617	BOLT, FLANGE 8 × 16		4			5022
7	91551-3024004	JOINT, ELBOW 302404 45°		1			5051
8	91545-2209533	HOSE, HYDRAULIC SPL 1/4 × 95		1			5052
9	91311-250	BAND, REPEAT RF250		2			5059
10	91382-1502501	CORRUGATE 15 × 250		1			5062
11	51903-B53-001	JOINT, ELBOW PT1/4 × PF1/2 90°		1			5071
12	91541-4012030	HOSE, HYDRAULIC 1/2 × 1200		1			5072
13	91323-019	CLAMP, HOSE 19		1			5073
14	91541-4007030	HOSE, HYDRAULIC 1/2 × 700		1			5074
15	91323-019	CLAMP, HOSE 19		1			5075
16	57400-B85-801	BASE COMP, OIL TANK	B2	1			5201
17	91314-119P7	STRAP, CABLE 1-19P7		1			5202
18	93100-0802017	BOLT, FLANGE 8 × 20		2			5203
19	93100-0801617	BOLT, FLANGE 8 × 16		2			5204
20	94002-08410	NUT, FLANGE 8		2			5205
21	57902-B85-800	STAY, TANK OIL	B2	1			5211
22	93100-0601617	BOLT, FLANGE 6 × 16		2			5212
23	94002-06410	NUT, FLANGE 6		2			5213
24	93100-0801617	BOLT, FLANGE 8 × 16		2			5214
25	94002-08410	NUT, FLANGE 8		2			5215
26	57903-B85-800	STAY, HYDRAULIC HOSE	B2	1			5251
27	93100-0802017	BOLT, FLANGE 8 × 20		1			5252
28	94002-08410	NUT, FLANGE 8		1			5253
29	91314-11765	STRAP, CABLE 1-1765		1			5254
30	51600-G30-705	TANK COMP, OIL	B3M	1			5301
31	51901-G30-000	CAP, OIL		1			5302
32	57200-B84-800	JOINT COMP, HOSE	B2	1			5303
33	51906-G30-000	STRANE		1			5304
34	91526-WF8	WASHER, SEAL WF-8		8			5305
35	93100-0801617	BOLT, FLANGE 8 × 16		8			5306
36	51905-G30-001	PACKING		1			5307



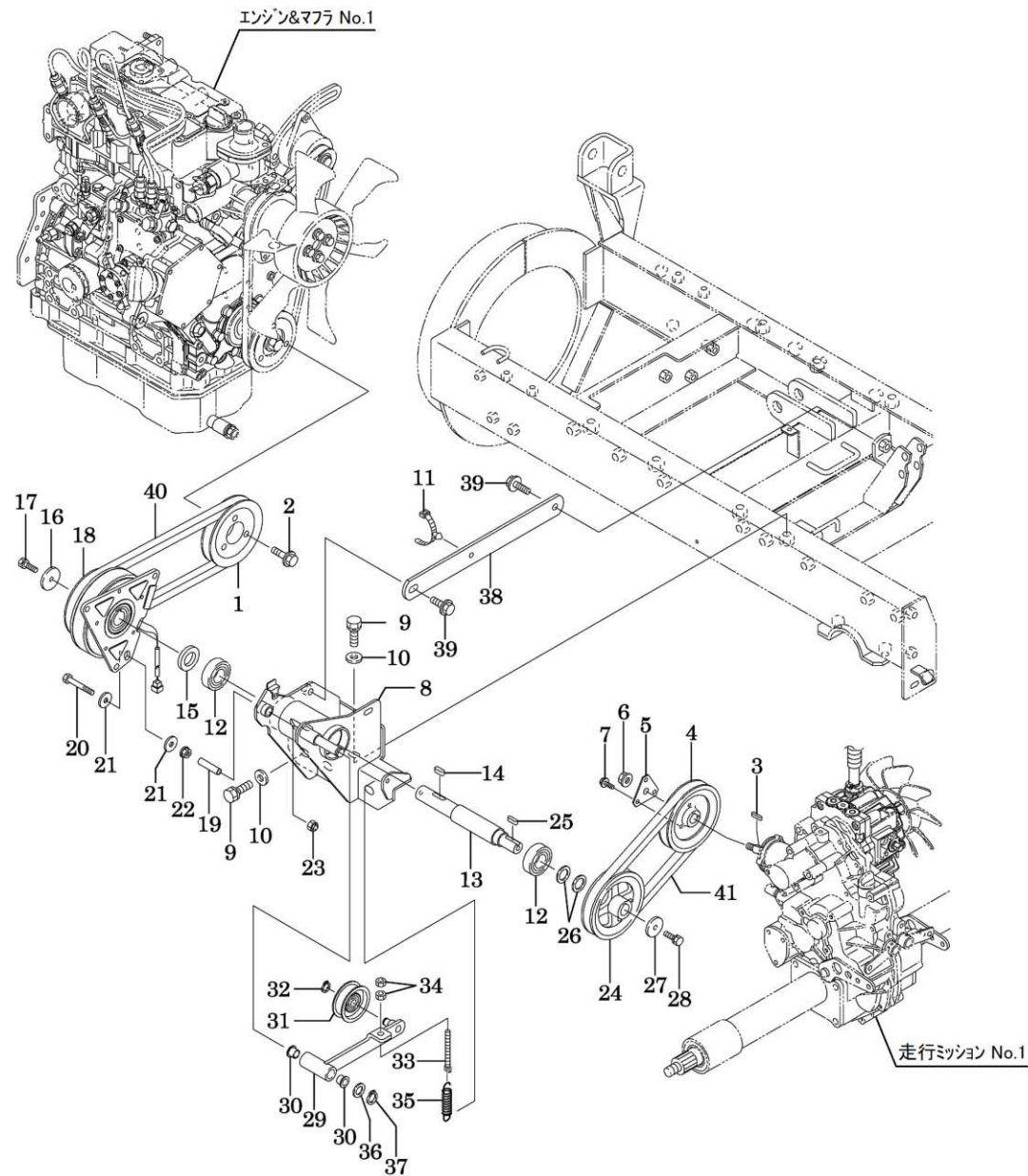
No	Product Number	Product Name	ST	Qty	Remarks	Rev. Date	No
1	50001-B56-000	CYLINDER ASSY, HYDRAULIC φ		1			5101
2	51901-B53-002	JOINT, SPECIAL ELBOW 45°		1		Δ 1 2025/12/10	5102
3	91551-3024004	JOINT, ELBOW 302404 45°		1			5103
4	91261-201101	PIN, 20 × 110	M1	1			5104
5	94210-40400	PIN, SPLIT 4 × 40		1			5105
6	91261-200751	PIN, 20 × 75	M1	1			5106
7	94210-40400	PIN, SPLIT 4 × 40		1			5107
8	50200-B88-000	CYLINDER ASSY, HYDRAULIC 20		1			5151
9	91551-3022004	JOINT, ELBOW 302204 90°		1			5153
10	91261-180951	PIN, 18 × 95	M1	1			5154
11	94210-40400	PIN, SPLIT 4 × 40		1			5155
12	91261-180751	PIN, 18 × 75	M1	1			5156
13	94210-40400	PIN, SPLIT 4 × 40		1			5157
14	91551-3002004	ADAPTER, 3002F04		2			5053
15	91541-2313533	HOSE, HYDRAULIC 1/4 × 1350		2			5054
16	91551-3024004	JOINT, ELBOW 302404 45°		2			5058
17	91545-2215433	HOSE, HYDRAULIC SPL 1/4 × 15		1			5056
18	91545-2214333	HOSE, HYDRAULIC SPL 1/4 × 14		1			5057
19	67901-A64-001	JOINT, SPECIAL ELBOW 90°		1			5152
20	91311-140	BAND, REPEAT RF140		1			5061
21	91382-2505001	CORRUGATE 25 × 500		1			5055
22	91311-140	BAND, REPEAT RF140		1			5063

No	Product Number	Product Name	ST	Qty	Remarks	Rev. Date	No
1	02901-B53-700	PULLEY, ENGINE	B3M	1			6001
2	93000-1203017	BOLT, LOCK 12 × 30		3			6002
3	91652-0808044	BELT W800, SB44		3			6301
4	65400-B85-830	STOPPER R COMP, ENGINE BEL	B2	1			6571
5	65300-B85-830	STOPPER L COMP, ENGINE BEL	B2	1			6572
6	93300-1202017	BOLT, FLANGE 12 × 1.25 × 20		2			6573

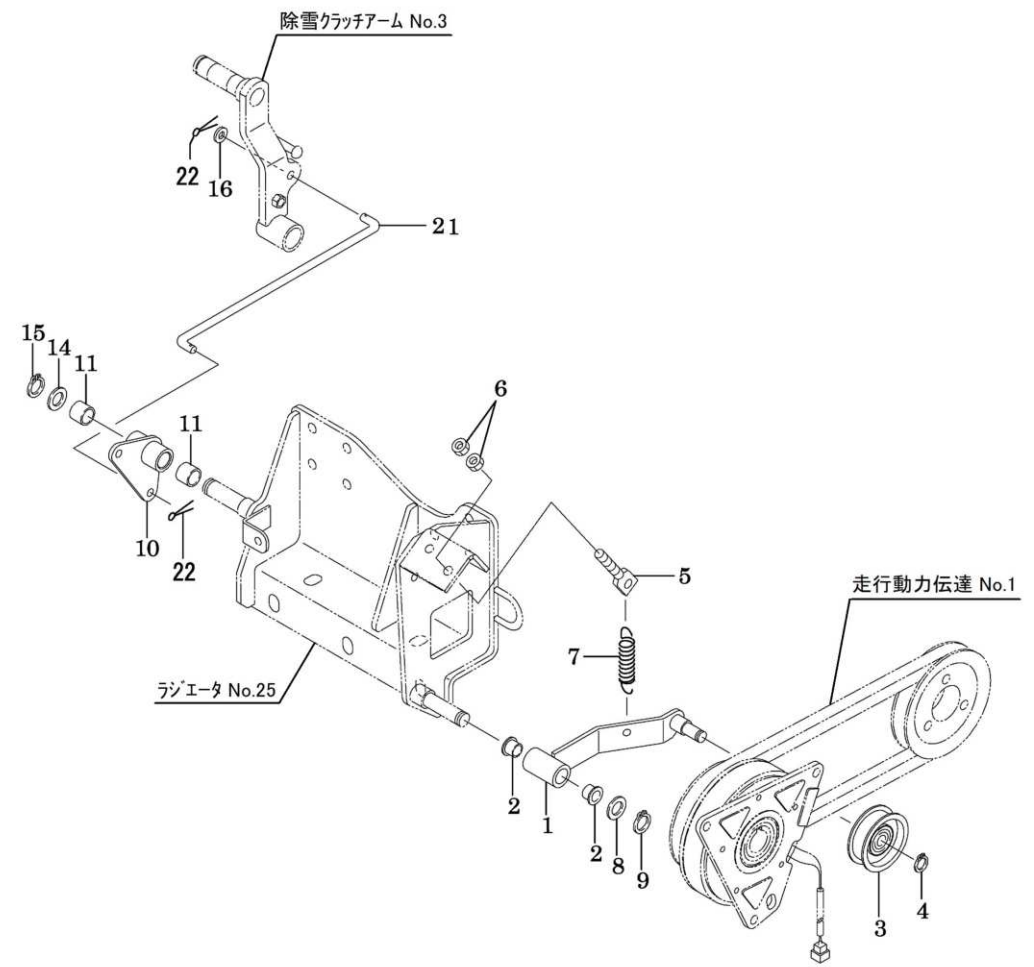




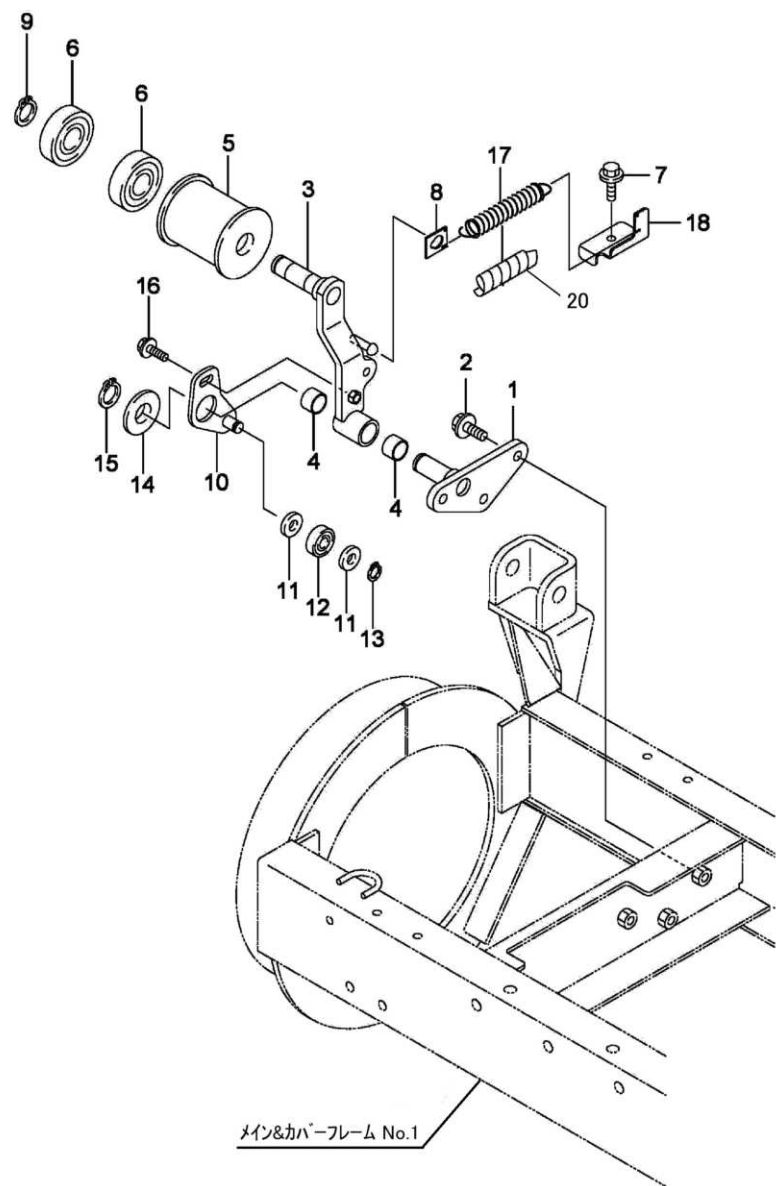
No	Product Number	Product Name	ST	Qty	Remarks	Rev. Date	No
1	65902-B53-800	BRACKET, BRAKE	B2	1			6351
2	93300-1002017	BOLT, FLANGE 10 × 1.25 × 20		2			6352
3	65100-B53-800	BRAKE COMP, BLOWER	B2	1			6353
4	91644-151580	BUSH, 80F-1515		2			6354
5	65901-B53-000	PIN, 15 × 160	M1	1			6355
6	94210-40300	PIN, SPLIT 4 × 30		2			6356
7	66907-A84-000	SPRING, BRAKE	M1B	1			6357
8	91580-1500601	TUBE, SPIRAL 15 × 60		1			6358
9	65300-B53-801	STOPPER COMP, BLOWER BELT	B2	1			6371
10	94101-10015	WASHER, PLAIN 10		2			6372
11	93300-1002017	BOLT, FLANGE 10 × 1.25 × 20		2			6373



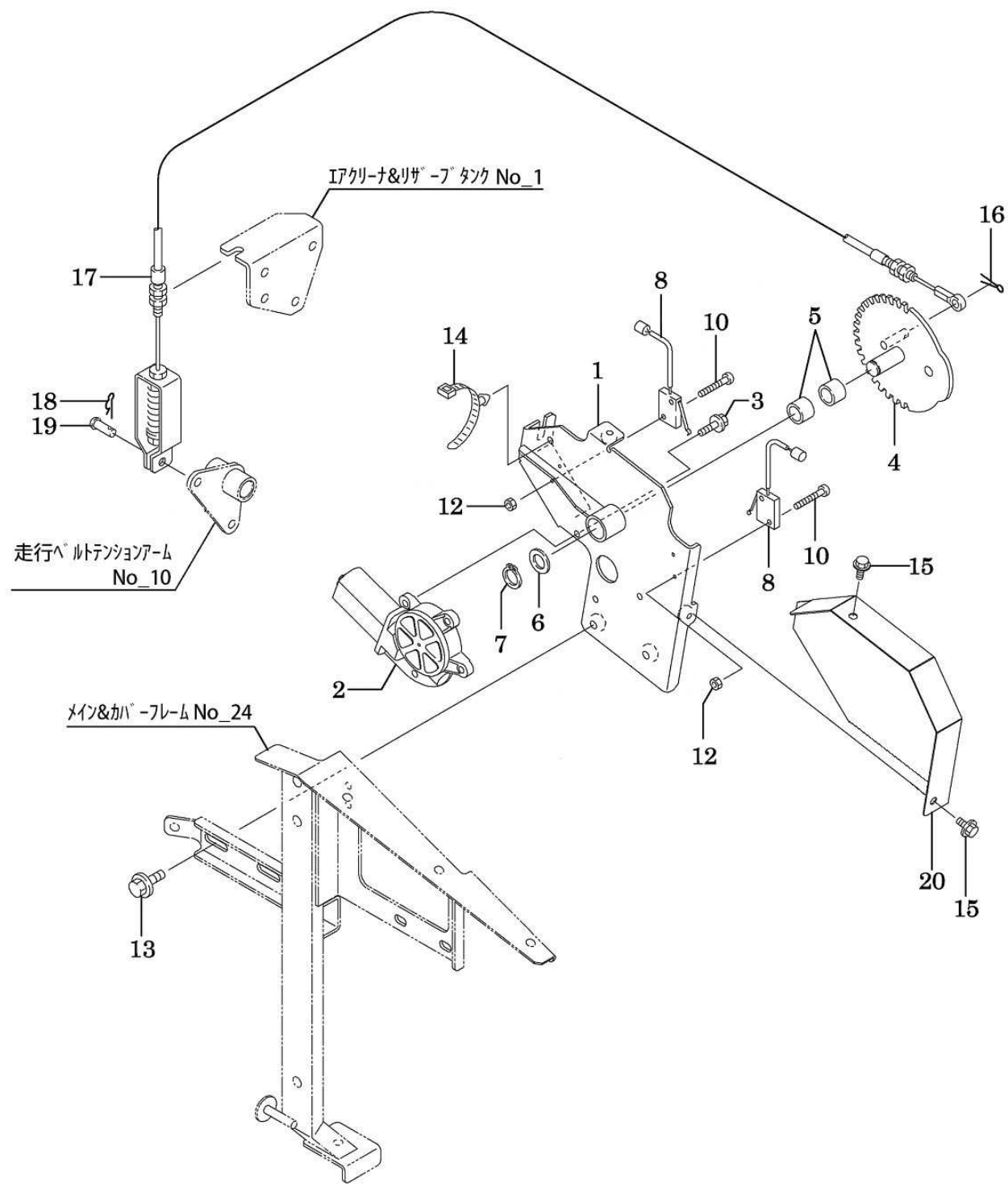
No	Product Number	Product Name	ST	Qty	Remarks	Rev. Date	No
1	02902-B54-700	PULLEY, ENGINE	B3M	1			6011
2	93000-1003017	BOLT, LOCK 10×30		3			6012
3	97112-022241	KEY, 5×5×22RR		1			6022
4	63902-B54-700	PULLEY, INPUT HST	B3M	1			6021
5	16901-B54-800	PLATE, FIXING	B2	1			6023
6	94006-10410	NUT, FLANGE 10×1.25		1			6024
7	93100-0601617	BOLT, FLANGE 6×16		3			6025
8	61100-B85-801	BRACKET COMP, COUNTER	B2	1			6051
9	93000-1203017	BOLT, LOCK 12×30		5			6052
10	94101-12010	WASHER, PLAIN 12		5			6053
11	91315-C1U68	CLIP, CABLE C-1U68		1			6203
12	96105-06205	BEARING, 6205UU		2			6062
13	64901-B85-000	SHAFT, COUNTER		1			6061
14	97114-020041	KEY, 7×7×20S		1			6063
15	64902-B85-801	COLLAR, COUNTER SHAFT	B2	1		Δ 1 2025/06/03	6064
16	91251-0840451	WASHER, RD 8×40×4.5	M1	1			6065
17	91219-0825010	BOLT, PRECOATED WITH SPRIN		1			6066
18	67100-B54-001	CLUTCH COMP, ELECTROMAGN		1			6071
19	91544-0730030	TUBE, GASOLINE 7.3×30		1			6072
20	92201-0805517	BOLT, 8×55		1			6073
21	94101-08015	WASHER, PLAIN 8		2			6074
22	94002-08410	NUT, FLANGE 8		1			6075
23	91233-084120	NUT, U 8		1			6076
24	63902-B18-700	PULLEY, 113B×20	B3M	1			6081
25	97113-020041	KEY, 6×6×20S		1			6082
26	91251-2030231	WASHER, RD 20×30×2.3	M1	2			6083
27	91251-0835451	WASHER, RD 8×35×4.5	M1	1			6084
28	91219-0825010	BOLT, PRECOATED WITH SPRIN		1			6085
29	66300-B85-801	ARM B COMP, TRAVEL TENSION	B2M	1			6151
30	91642-1512R	BUSH, BM1512F23FS		2			6152
31	91615-12503743	PULLEY, TENSION 50TA2		1			6153
32	94510-12080	CIRCLIP, EX 12		1			6154
33	65901-A09-001	BOLT, TENSION	M1	1			6155
34	94003-08412	NUT, SMALL 8		2			6156
35	91601-A32-001	SPRING, TENSION	M1B	1			6157
36	91251-1525231	WASHER, RD 15×25×2.3	M1	1			6158
37	94510-15080	CIRCLIP, EX 15		1			6159
38	61901-B53-800	SUPPORT, TENSION BASE	B2	1			6201
39	93300-1002517	BOLT, FLANGE 10×1.25×25		2			6202
40	91652-0808034	BELT W800, SB34		1			6302
41	91652-0808030	BELT W800, SB30		1			6303



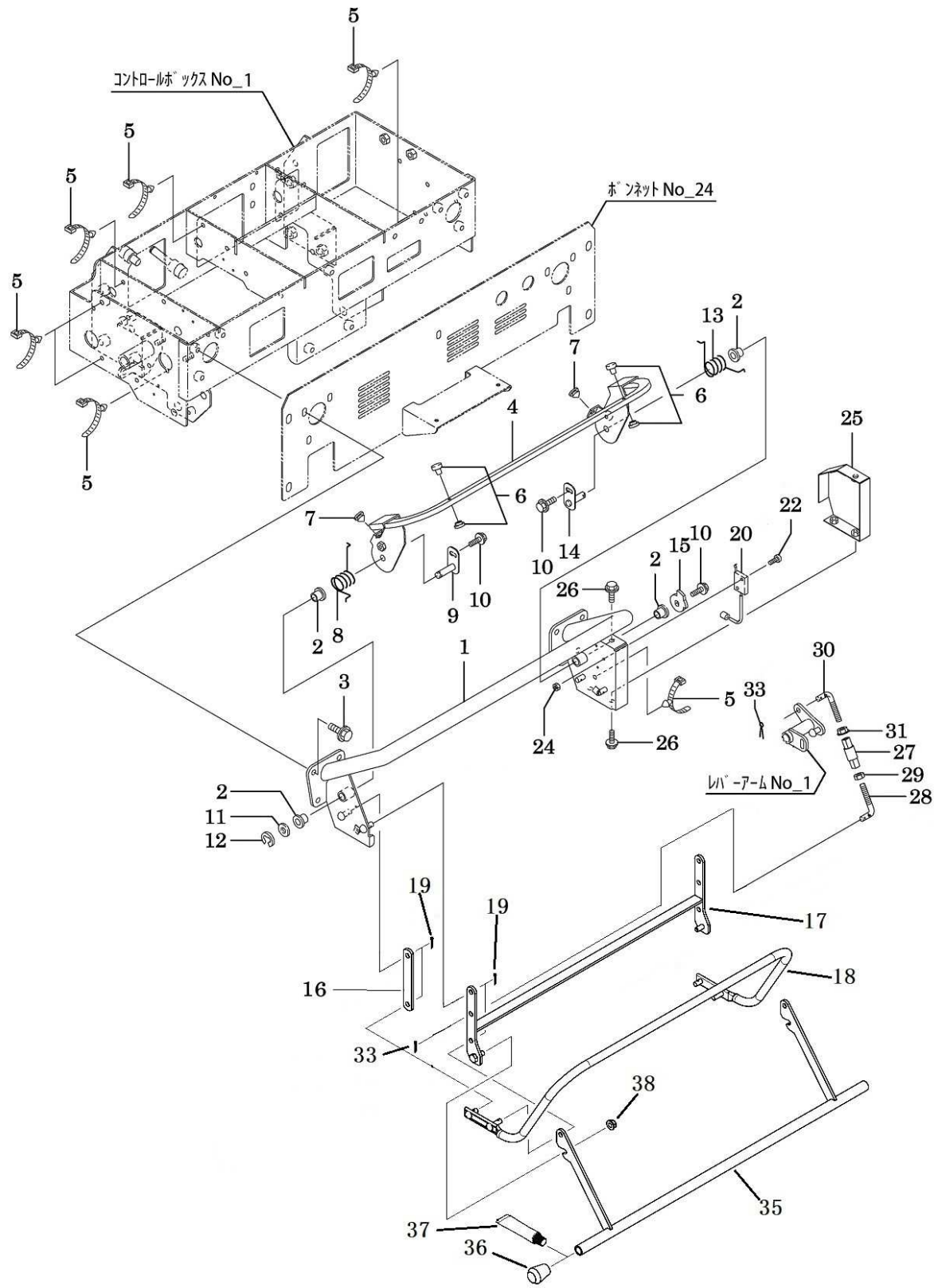
No	Product Number	Product Name	ST	Qty	Remarks	Rev. Date	No
1	66200-B85-801	ARM A COMP, TRAVEL TENSION	B2M	1			6101
2	91642-1512R	BUSH, BM1512F23FS		2			6102
3	91615-12503743	PULLEY, TENSION 50TA2		1			6103
4	94510-12080	CIRCLIP, EX 12		1			6104
5	65901-A09-001	BOLT, TENSION	M1	1			6105
6	94003-08412	NUT, SMALL 8		2			6106
7	91601-A32-001	SPRING, TENSION	M1B	1			6107
8	91251-1525231	WASHER, RD 15×25×2.3	M1	1			6108
9	94510-15080	CIRCLIP, EX 15		1			6109
10	66400-B53-800	ARM COMP, COUNTER	B2	1			6251
11	91646-1512R	BUSH, BM1512FS		2			6252
14	91251-1525231	WASHER, RD 15×25×2.3	M1	1			6255
15	94510-15080	CIRCLIP, EX 15		1			6256
16	94101-08010	WASHER, PLAIN 8		1			6257
21	66901-B53-030	ROD, 288	M1	1			6253
22	94210-30200	PIN, SPLIT 3×20		2			6254



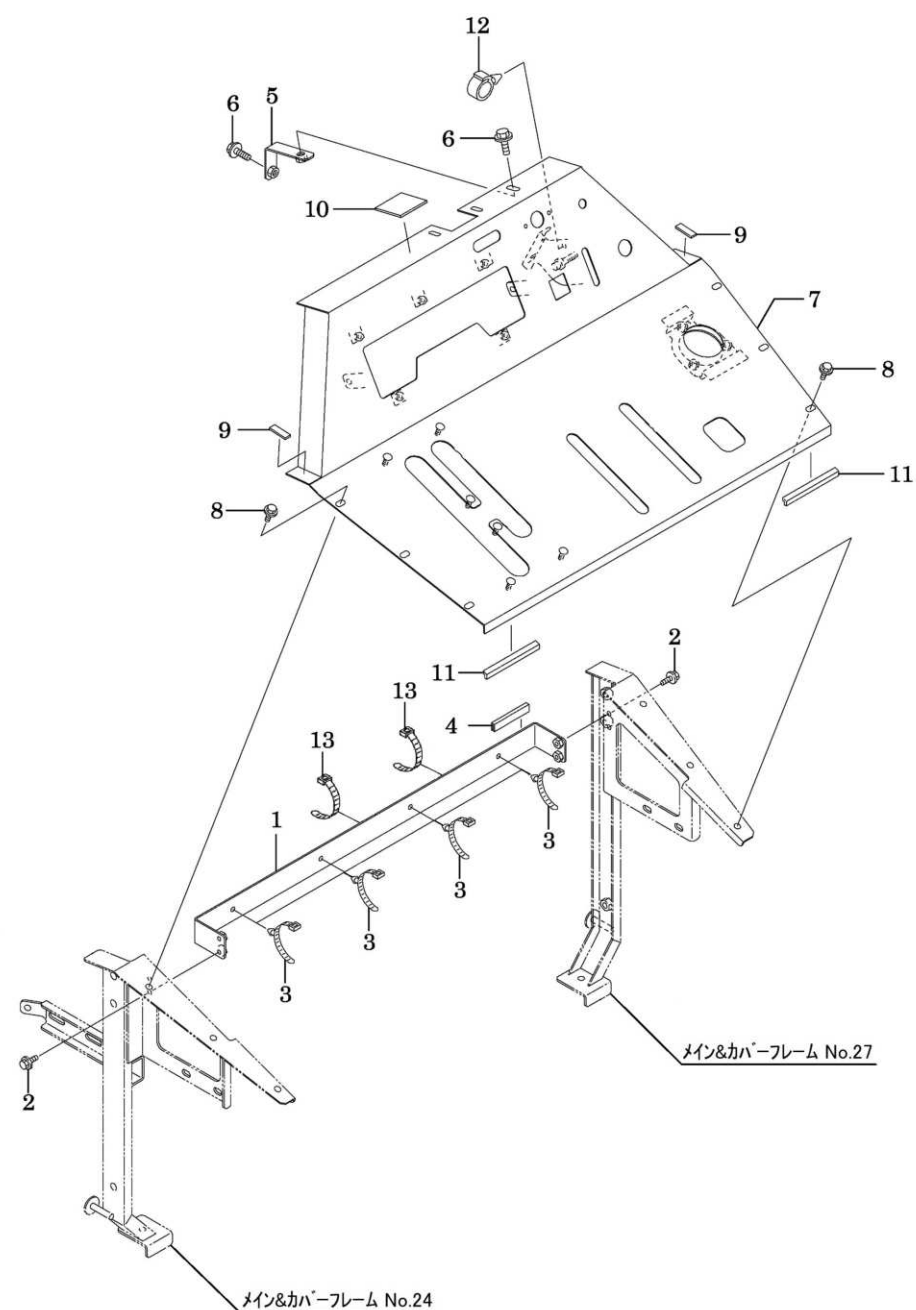
No	Product Number	Product Name	ST	Qty	Remarks	Rev. Date	No
1	66400-B18-802	SHAFT COMP, BLOWER TENSIO	B2	1			6501
2	93300-1002517	BOLT, FLANGE 10 × 1.25 × 25		3			6502
3	66100-B53-802	ARM COMP, AUGER CLUTCH	B2M	1			6511
4	91646-2015R	BUSH, BM2015FS		2			6512
5	66901-B79-801	PULLEY, TENSION 60-74	B2	1			6513
6	96105-06304	BEARING, 6304UU		2			6514
7	93100-0802017	BOLT, FLANGE 8 × 20		1			6553
8	66903-B53-800	HOOK, SPRING	B2	1			6554
9	94510-20080	CIRCLIP, EX 20		1			6516
10	65200-B53-800	CAM COMP, BRAKE	B2	1			6521
11	94101-12010	WASHER, PLAIN 12		2			6522
12	96105-06201	BEARING, 6201UU		1			6523
13	94510-12080	CIRCLIP, EX 12		1			6524
14	94101-20010	WASHER, PLAIN 20		1			6525
15	94510-20080	CIRCLIP, EX 20		1			6526
16	93100-0802517	BOLT, FLANGE 8 × 25		1			6527
17	66902-B53-000	SPRING, TENSION RETURN	M1B	1			6551
18	66901-B85-800	HOLDER, SPRING	B2	1			6552
20	91580-1501501	TUBE, SPIRAL 15 × 150		1			6555



No	Product Number	Product Name	ST	Qty	Remarks	Rev. Date	No
1	66500-B85-802	BASE COMP, ELECTRIC CLUTC	B2	1			6601
2	81100-B53-002	MOTOR, JC578VA		1			6602
3	93100-0602017	BOLT, FLANGE 6×20		3			6603
4	66600-B53-802	GEAR COMP, CLUTCH	B2	1		Δ 1 2024/09/04	6604
5	91647-1515	BUSH, 77B-1515		2			6605
6	91251-1525231	WASHER, RD 15×25×2.3	M1	1			6606
7	94510-15080	CIRCLIP, EX 15		1			6607
8	83100-B10-000	SWITCH, CHUTE		2			6608
9	-						6609
10	83901-B10-000	BOLT, SL M3×20		4			6611
11	-						6612
12	94002-03410	NUT, FLANGE 3		4			6613
13	93100-0801617	BOLT, FLANGE 8×16		2			6614
14	91314-119P7	STRAP, CABLE 1-19P7		1			6615
15	93100-0601217	BOLT, FLANGE 6×12		2			6652
16	94210-25150	PIN, SPLIT 2.5×15		1			6624
17	77100-B53-030	WIRE, AUGER CLUTCH		1		Δ 1 2026/03/05	6621
18	94251-080111	PIN, SNAP A8×1.8		1			6622
19	94330-0802210	PIN, 8×22		1			6623
20	68901-B85-800	COVER, ELECTRIC CLUTCH	B2	1			6651

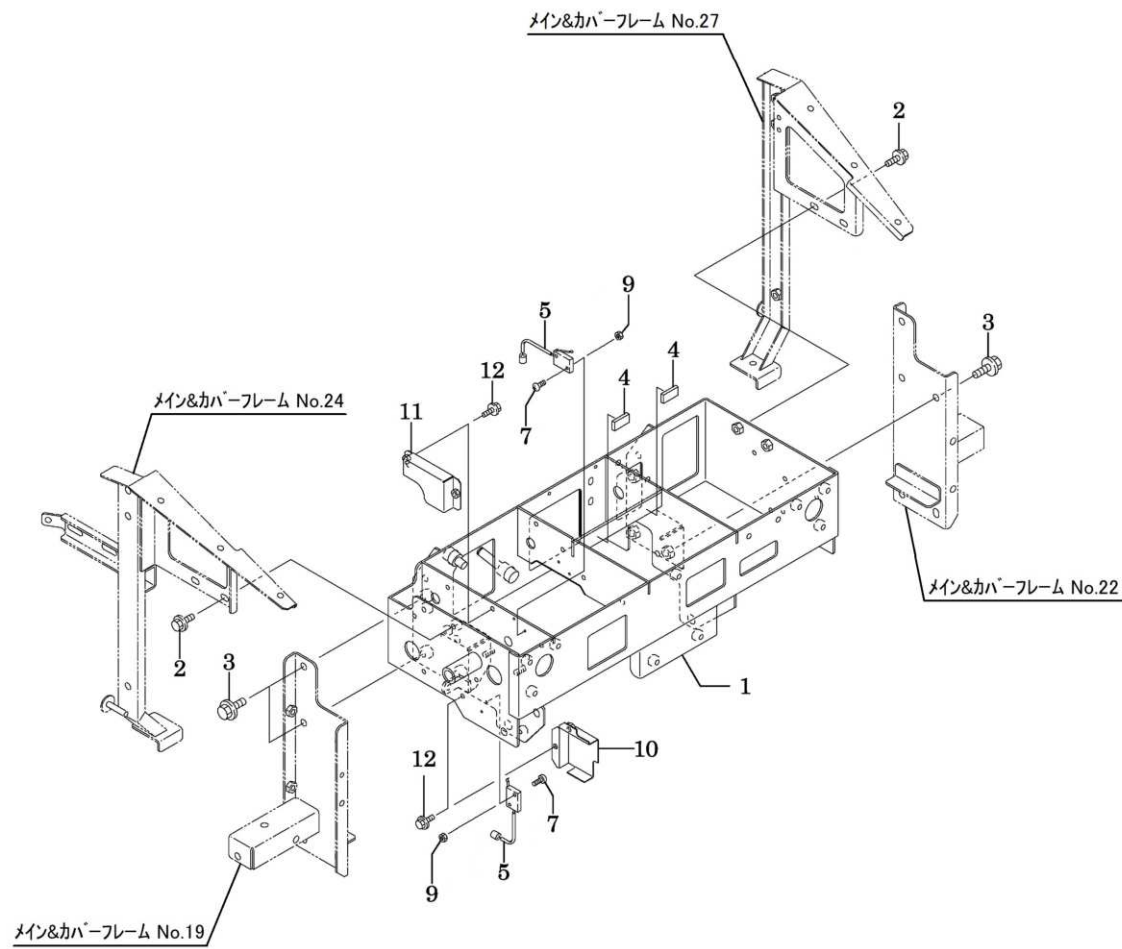


No	Product Number	Product Name	ST	Qty	Remarks	Rev. Date	No
1	72400-B78-601	HANDLE COMP	B4M	1			7101
2	91644-101080	BUSH, 80F-1010		4			7102
3	93100-0802017	BOLT, FLANGE 8×20		6			7103
4	73100-B78-001	LEVER COMP, CLUTCH	Y3	1			7201
5	91314-119P7	STRAP, CABLE 1-19P7		9			7004
6	71902-B28-000	RIVET		2			7202
7	91701-A41-000	GROMMET, φ6		2			7203
8	72901-B56-001	SPRING L, RETURN	M1B	1			7204
9	74600-B56-801	PIN B COMP, LEVER	B2	1		Δ 1 2024/03/13	7205
10	93100-0601217	BOLT, FLANGE 6×12		3			7206
11	94101-10010	WASHER, PLAIN 10		1			7207
12	94511-08010	RING, E 8		1			7208
13	72902-B56-001	SPRING R, RETURN	M1B	1			7209
14	74500-B56-802	PIN A COMP, LEVER	B2	1		Δ 1 2024/03/13	7211
15	74903-B56-800	CAM B, SWITCH	B2	1			7212
16	73909-B43-800	LINK 100, LEVER	B2	2			7253
17	73300-B85-600	LEVER B COMP, EMERGENCY S	B4	1			7252
18	73200-B85-000	LEVER A COMP, EMERGENCY S	Y3M	1			7251
19	94210-25150	PIN, SPLIT 2.5×15		8			7254
20	83100-B10-000	SWITCH, CHUTE		1			7215
21	-						7216
22	83901-B10-000	BOLT, SL M3×20		2			7217
23	-						7218
24	94002-03410	NUT, FLANGE 3		2			7219
25	78400-B56-801	COVER D COMP, SWITCH	B2	1			7231
26	93100-0601217	BOLT, FLANGE 6×12		3			7232
27	76902-B50-800	LINK, 50	B2	1			7261
28	74904-B56-000	ROD L, ADJUST	M1	1			7262
29	91231-0841210	NUT, LEFT-HAND 8		1			7263
30	74905-B56-000	ROD R, ADJUST	M1	1			7264
31	94002-08410	NUT, FLANGE 8		1			7265
32	-					Δ 1 2026/03/05	7266
33	94210-25150	PIN, SPLIT 2.5×15		2			7267
34	-						7268
35	73100-B85-000	BAR COMP, UNDER	Y3	1			7269
36	91355-1723	RUBBER FEET KP-6		2			7270
37	91981-280080	-		0.5	g		7271
38	91237-0801	NUT, FLANGE U 8		2			7272

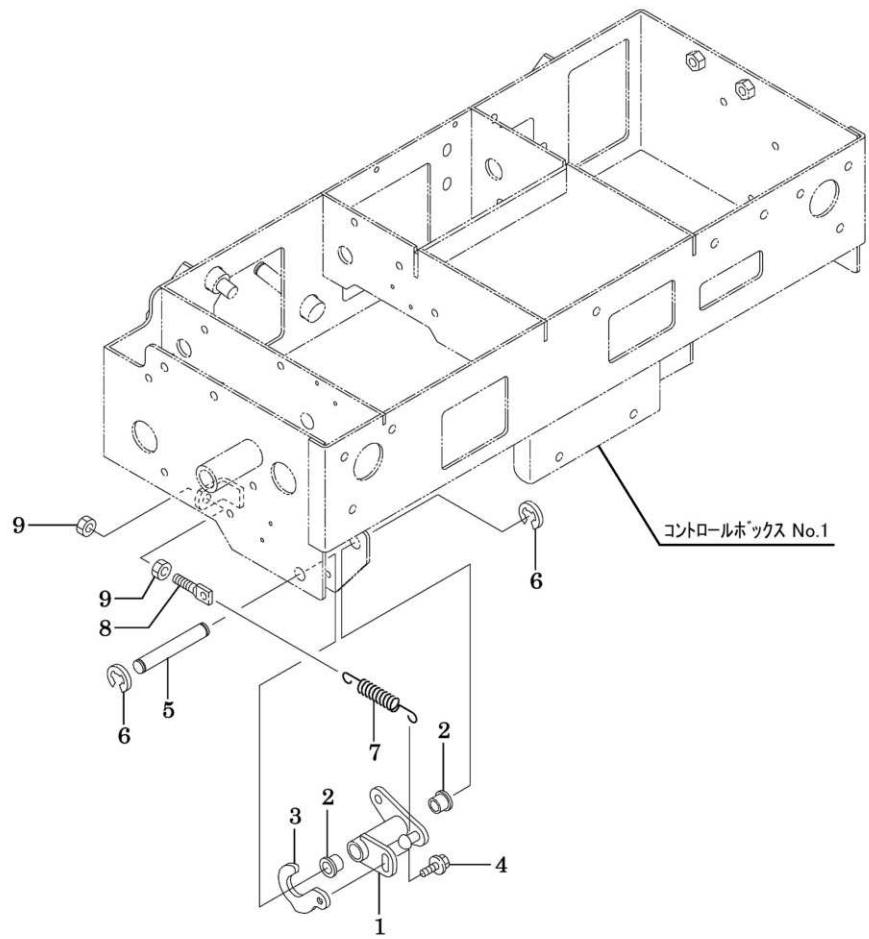


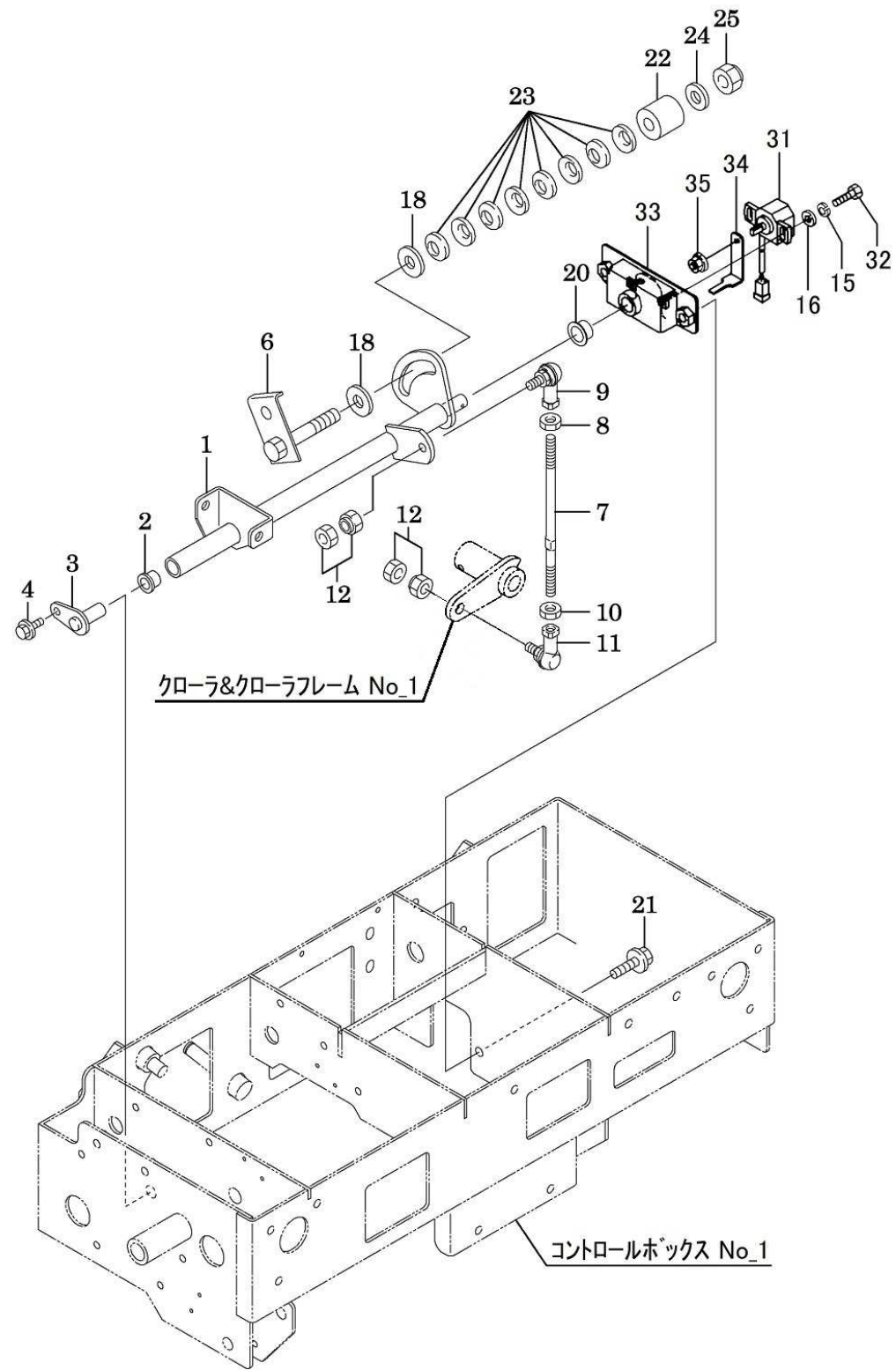
No	Product Number	Product Name	ST	Qty	Remarks	Rev. Date	No
1	82200-B78-800	STAY COMP, HARNESS	B2	1			7451
2	93100-0601617	BOLT, FLANGE 6 × 16		4			7452
3	91314-15782	STRAP, CABLE 1-5782		4			7453
4	85901-B65-000	PROTECTOR, RUBBER 12 × 80		1			7454
5	82200-B85-800	STAY COMP, PANEL	B2	1			7511
6	93100-0801617	BOLT, FLANGE 8 × 16		2			7512
7	82100-B85-830	PANEL COMP, INDICATOR	B2	1			8001
8	93100-0601257	BOLT, FLANGE 6 × 12		6			8002
9	72901-B43-000	SHEET, RUBBER 15 × 30 × 5		2			8003
10	21905-B18-000	RUBBER, 50 × 50 × 3.0		1			8004
11	82904-B56-000	SPONGE, 15 × 100		2			8006
12	91315-C4397	CLIP, CABLE C-4397		1			8007
13	91311-250	BAND, REPEAT RF250		2			7455

No	Product Number	Product Name	ST	Qty	Remarks	Rev. Date	No
1	72200-B85-803	BOX COMP, CONTROL	B2	1		Δ 1 2024/02/16	7001
2	93100-0801617	BOLT, FLANGE 8 × 16		4			7002
3	93300-1002017	BOLT, FLANGE 10 × 1.25 × 20		6			7003
4	72901-B43-000	SHEET, RUBBER 15 × 30 × 5		2			8005
5	83100-B10-000	SWITCH, CHUTE		2			7371
6	-						7372
7	83901-B10-000	BOLT, SL M3 × 20		4			7373
8	-						7374
9	94002-03410	NUT, FLANGE 3		4			7375
10	78100-B54-800	COVER A COMP, SWITCH	B2	1			7401
11	78300-B56-800	COVER C COMP, SWITCH	B2	1			7402
12	93100-0601217	BOLT, FLANGE 6 × 12		4			7403

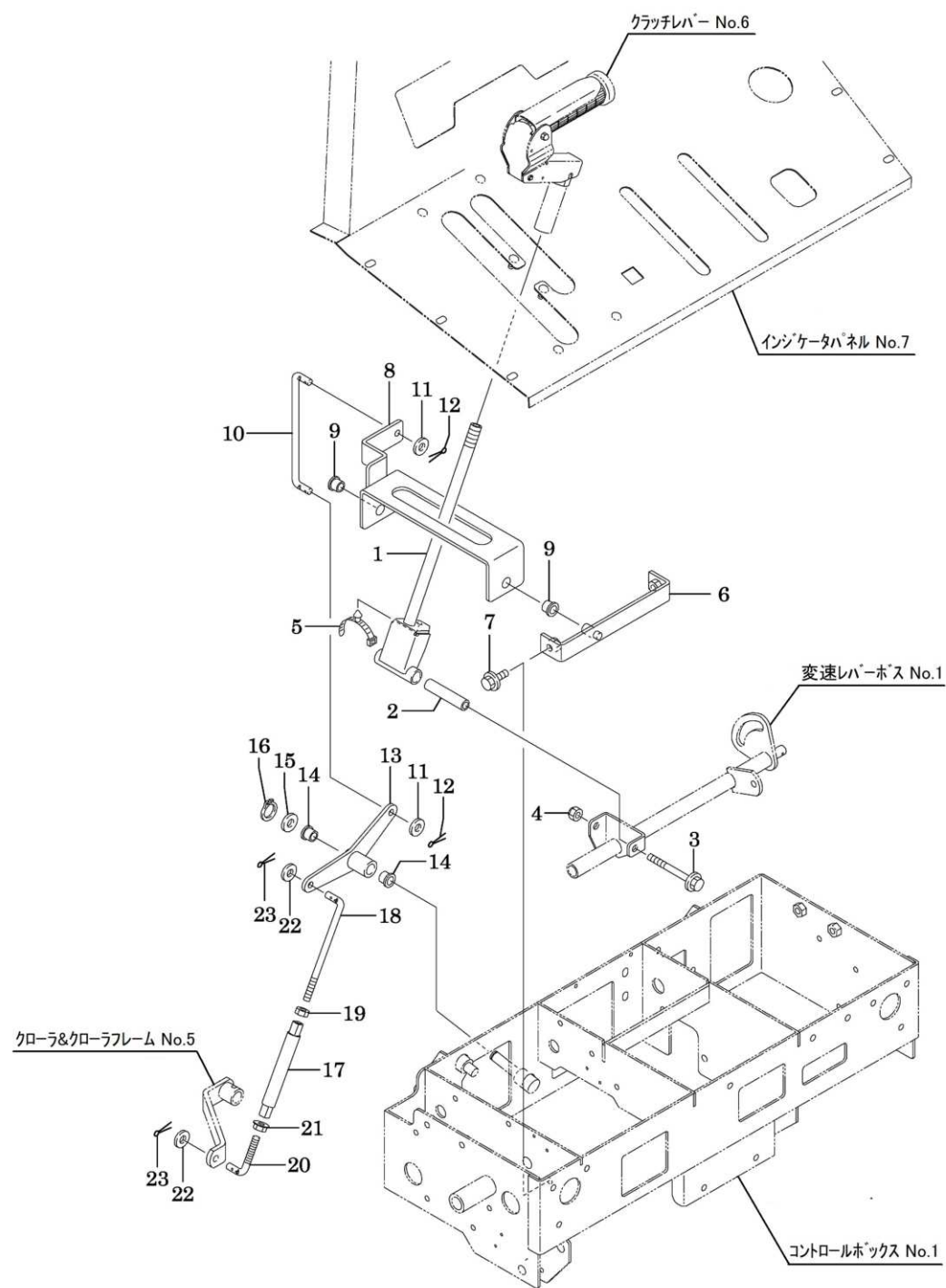


No	Product Number	Product Name	ST	Qty	Remarks	Rev. Date	No
1	74100-B78-800	ARM COMP, LEVER	B2	1			7551
2	91644-121080	BUSH, 80F-1210		2			7552
3	74902-B56-800	CAM A, SWITCH	B2	1			7553
4	93100-0601217	BOLT, FLANGE 6 x 12		1			7554
5	73902-B78-000	PIN, 12 x 80	M1	1			7555
6	94511-09010	RING, E 9		2			7556
7	91601-B50-003	SPRING, COIL 10 x 118	M1B	1			7561
8	16904-M65-000	ROD, TENSION	M1	1			7562
9	94003-08412	NUT, SMALL 8		2			7563



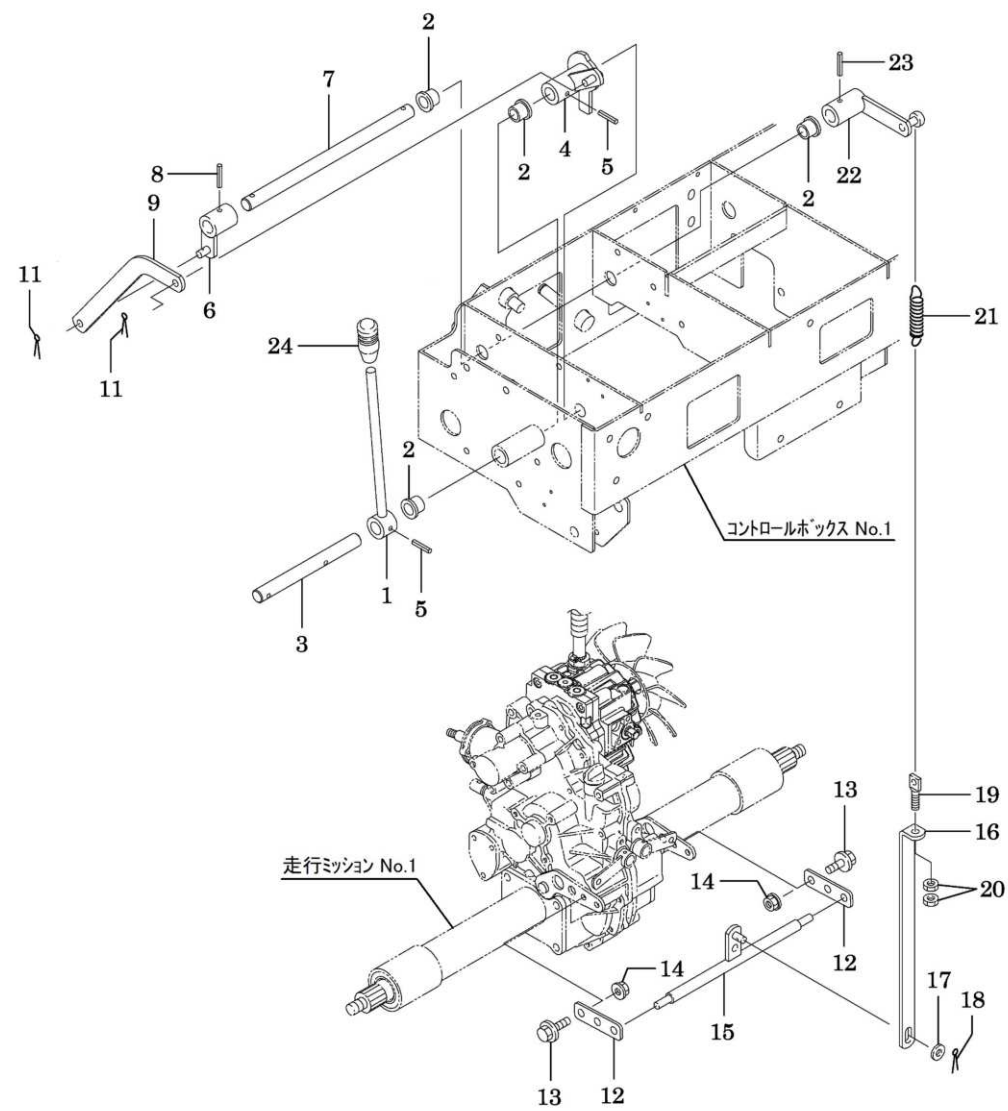


No	Product Number	Product Name	ST	Qty	Remarks	Rev. Date	No
1	75100-B85-831	BOSS COMP, SPEED SHIFTING LEVER	B2	1		Δ 1 2023/09/28	7571
2	91644-121080	BUSH, 80F-1210		1			7572
3	74500-B43-801	PIN 30 COMP, LEVER	B2	1		Δ 1 2024/11/25	7573
4	93100-0601217	BOLT, FLANGE 6 × 12		1			7574
5	-						7742
6	75500-B85-800	BOLT COMP, TENSION	B2	1			7751
7	75901-B50-000	ROD A, CSPEED SHIFTING	M1	1			7581
8	94002-08410	NUT, FLANGE 8		1			7582
9	91634-080211	JOINT, BALL BL-8D		1			7583
10	91231-0841210	NUT, LEFT-HAND 8		1			7584
11	91634-080221	JOINT, BALL BL-8DL		1			7585
12	91235-08100	NUT, HARD LOCK 8		2			7586
13	83100-B89-001	SENSOR, ANGLE RPA211		1			7661
14	92000-0401614	BOLT, 4 × 16		2			7662
15	94111-04012	WASHER, SPG 4		2			7663
16	94101-04010	WASHER, PLAIN 4		2			7664
17	-						7741
18	91648-8012	WASHER, 80W-12		2			7752
19	75200-B97-801	HOLDER COMP	B2	1			7731
20	91644-121080	BUSH, 80F-1210		1			7732
21	93100-0801217	BOLT, FLANGE 8 × 12		2			7733
22	72904-B85-000	COLLAR, FRICTION	M1	1			7753
23	91252-121	SPRING L, PLATE 12		8			7754
24	94101-12010	WASHER, PLAIN 12		1			7755
25	91233-124111	NUT, U 12 × 1.25		1			7756
26	75903-B97-800	PLATE, SENSOR	B2	1			7743
27	94002-06410	NUT, FLANGE 6		1			7744

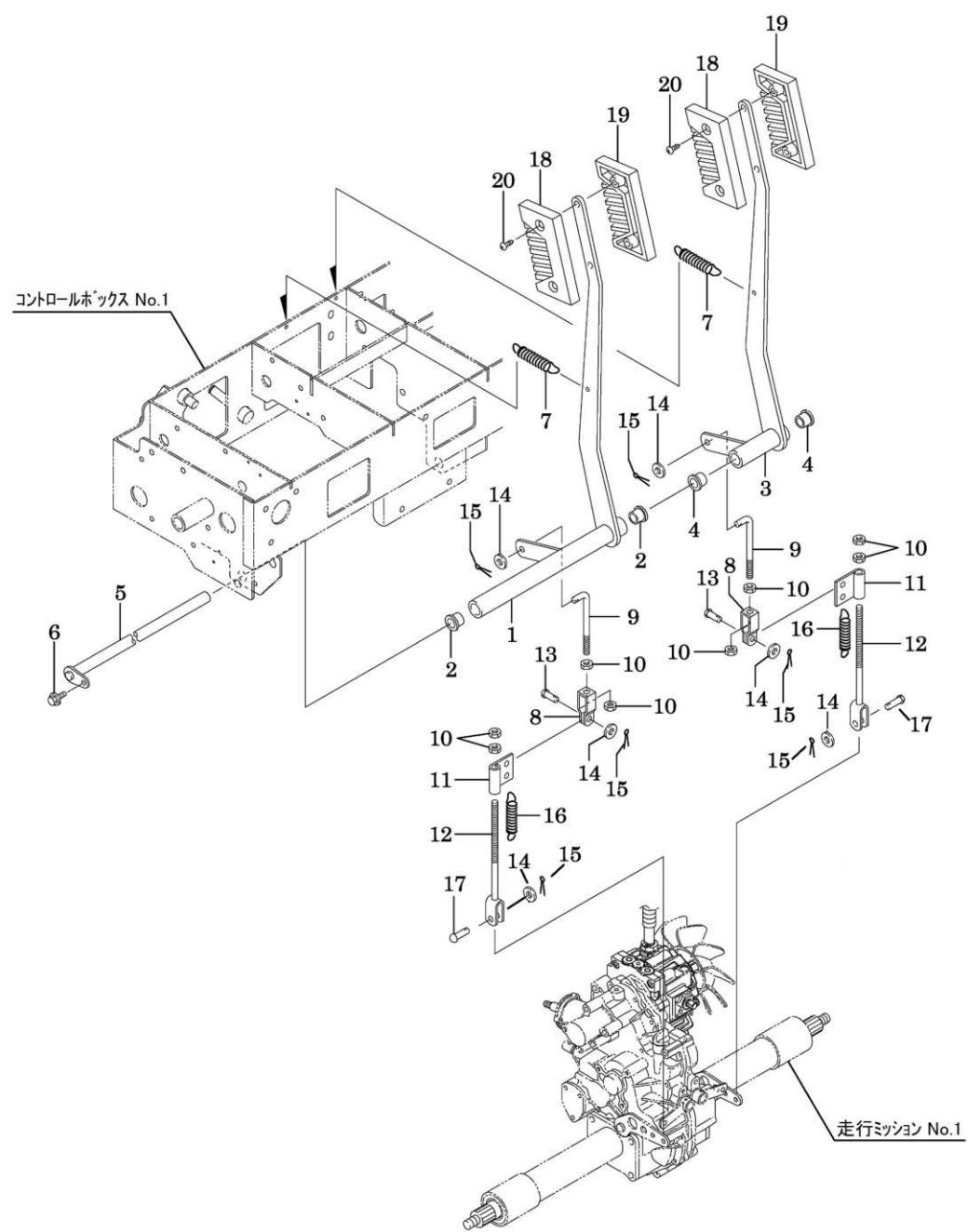


No	Product Number	Product Name	ST	Qty	Remarks	Rev. Date	No
1	75700-B56-806	LEVER COMP, SPEED SHIFTING	B2	1			7601
2	75903-M72-002	COLLAR, 9 × 63.5	M1	1			7603
3	93100-0808017	BOLT, FLANGE 8 × 80		1			7604
4	91233-084120	NUT, U 8		1			7605
5	91314-119P7	STRAP, CABLE 1-19P7		1			7602
6	72300-B56-800	BRACKET COMP, SPEED SHIFTI	B2	1			7611
7	93100-0801617	BOLT, FLANGE 8 × 16		2			7612
8	75600-B56-801	ARM COMP, SPEED SHIFTING L	B2	1			7621
9	91644-121080	BUSH, 80F-1210		2			7622
10	75904-B56-000	ROD B, SUB SPEED SHIFTING	M1	1			7631
11	94101-08010	WASHER, PLAIN 8		2			7632
12	94210-25150	PIN, SPLIT 2.5 × 15		2			7633
13	75400-B72-801	CAM COMP, SUB SPEED SHIFTI	B2	1			7641
14	91644-121080	BUSH, 80F-1210		2			7642
15	94101-12010	WASHER, PLAIN 12		1			7643
16	94510-12080	CIRCLIP, EX 12		1			7644
17	76904-B54-801	LINK, 125	B2	1			7651
18	75903-B16-001	ROD B, SUB SPEED SHIFTING	M1	1			7652
19	91231-0841210	NUT, LEFT-HAND 8		1			7653
20	75907-B08-001	ROD, 120	M1	1			7654
21	94002-08410	NUT, FLANGE 8		1			7655
22	94101-08010	WASHER, PLAIN 8		2			7656
23	94210-25150	PIN, SPLIT 2.5 × 15		2			7657

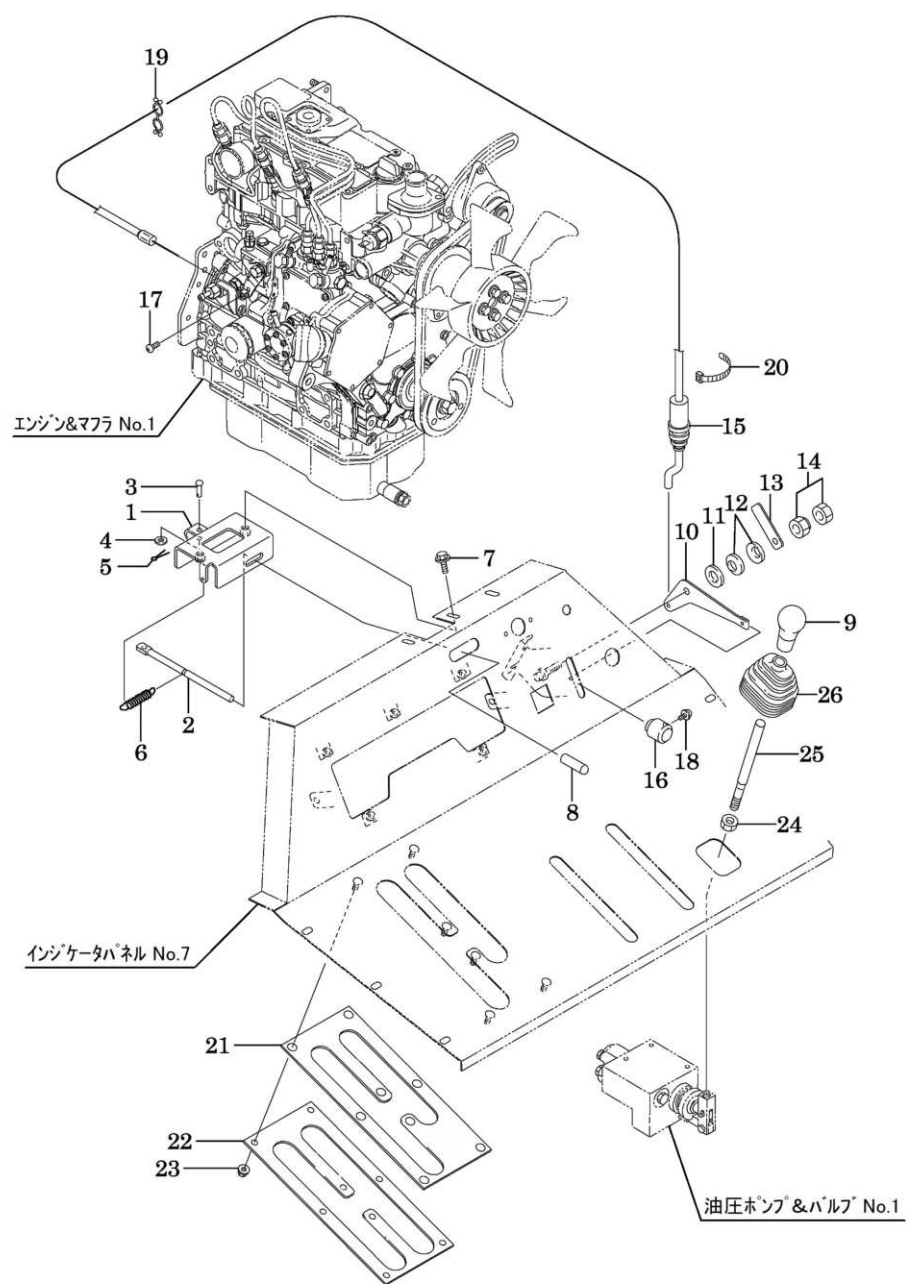




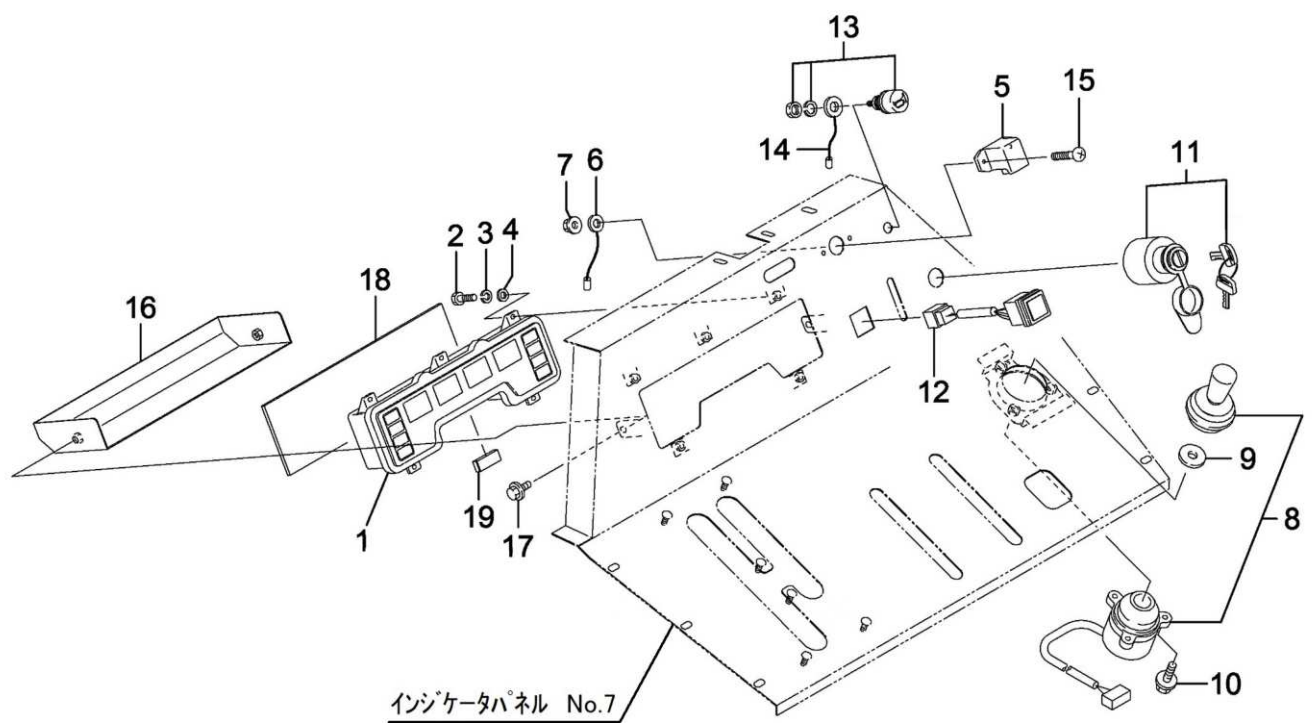
No	Product Number	Product Name	ST	Qty	Remarks	Rev. Date	No
1	76100-B78-801	LEVER COMP, PARKING BRAKE	B2	1			7781
2	91644-151280	BUSH, 80F-1512		4			7782
3	76904-B78-000	PIN, LEVER	M1	1			7783
4	76200-B78-802	BOSS COMP, PARKING BRAKE	B2	1		Δ 1 2025/03/10	7791
5	94319-50025	PIN, SPG 5 × 25		2			7784
6	76400-B78-800	ARM B COMP, COUNTER	B2	1			7792
7	76905-B56-801	SHAFT, BRAKE COUNTER	B2	1		Δ 1 2025/03/10	7793
8	94319-50028	PIN, SPG 5 × 28		1			7794
9	76906-B56-800	ARM, BRAKE LINK	B2	1			7795
10	-					Δ 1 2026/03/05	7796
11	94210-25150	PIN, SPLIT 2.5 × 15		2			7797
12	76903-B53-800	PLATE, BRAKE ARM	B2	2			7841
13	93100-0802017	BOLT, FLANGE 8 × 20		2			7842
14	94002-08410	NUT, FLANGE 8		2			7843
15	76500-B53-800	PIN COMP, BRAKE	B2	1			7851
16	76905-B78-800	BAR, BRAKE LINK	B2	1			7852
17	94101-08010	WASHER, PLAIN 8		1			7853
18	94210-25150	PIN, SPLIT 2.5 × 15		1			7854
19	16904-M65-000	ROD, TENSION	M1	1			7855
20	94003-08412	NUT, SMALL 8		2			7856
21	91601-B16-000	SPRING, SIDE CLUTCH	M1B	1			7857
22	76300-B56-800	ARM A COMP, COUNTER	B2	1			7861
23	94319-50028	PIN, SPG 5 × 28		1			7862
24	76902-A91-001	GRIP, PARKING LEVER		1			7911



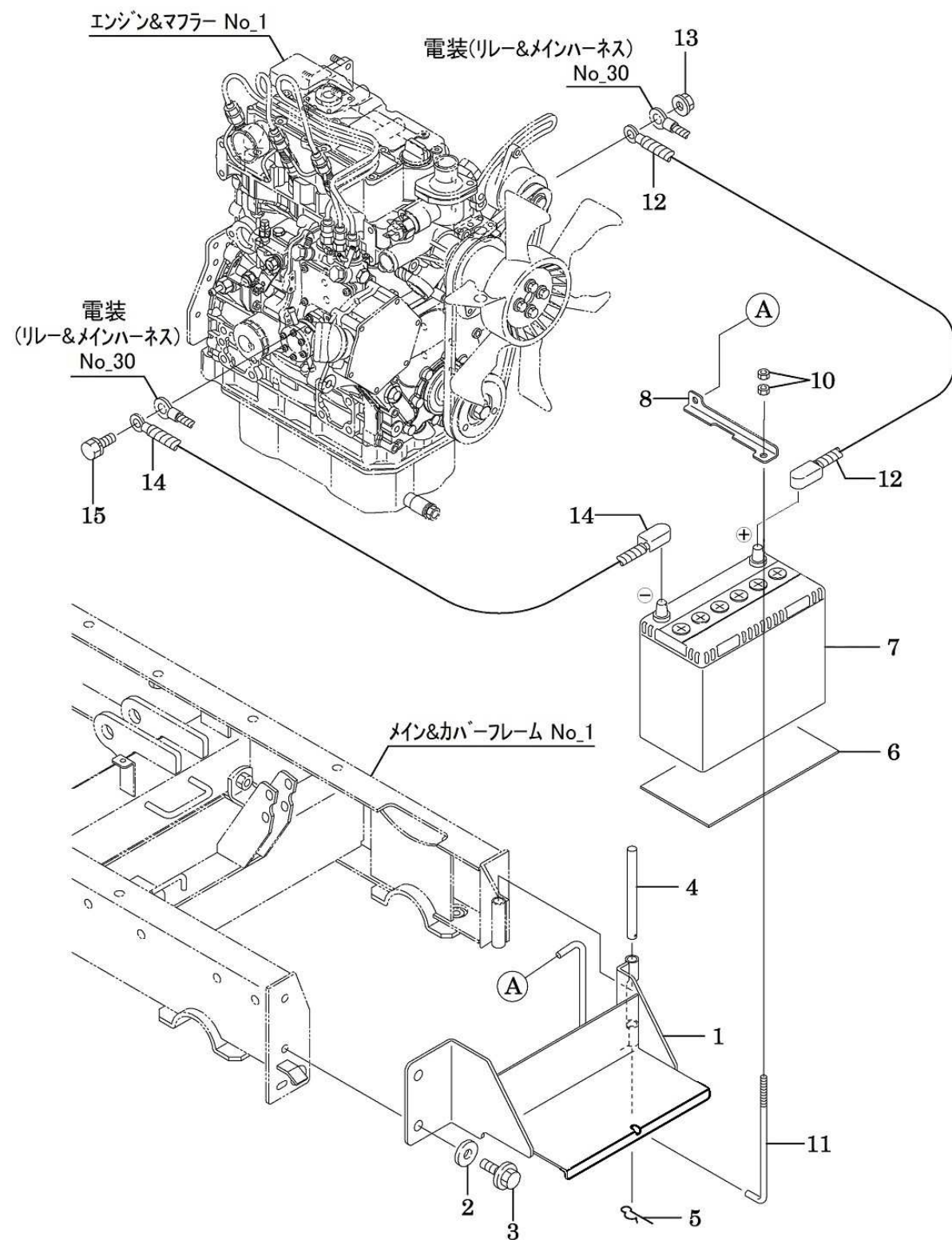
No	Product Number	Product Name	ST	Qty	Remarks	Rev. Date	No
1	73200-B78-801	LEVER L COMP, SIDE CLUTCH	B2	1			7801
2	91644-151280	BUSH, 80F-1512		2			7802
3	73300-B72-801	LEVER R COMP, SIDE CLUTCH	B2	1			7811
4	91644-151280	BUSH, 80F-1512		2			7812
5	73400-B56-801	PIN 410 COMP, LEVER	B2	1		Δ 1 2025/03/10	7821
6	93100-0601217	BOLT, FLANGE 6 × 12		1			7822
7	91604-A38-001	SPRING, COIL 16.5 × 125	M1B	2			7825
8	73903-A91-000	JOINT A	M1	2			7831
9	75905-B39-031	ROD C, SUB SPEED SHIFTING	M1	2			7832
10	94003-08412	NUT, SMALL 8		8			7833
11	73904-B54-800	HOLDER, SIDE CLUTCH	B2	2			7834
12	76600-B53-000	ROD COMP, SIDE CLUTCH	M1	2			7835
13	94330-0802210	PIN, 8 × 22		2			7836
14	94101-08010	WASHER, PLAIN 8		6			7837
15	94210-25150	PIN, SPLIT 2.5 × 15		6			7838
16	91601-B16-000	SPRING, SIDE CLUTCH	M1B	2			7839
17	94330-0802510	PIN, 8 × 25		2			7840
18	76903-B18-000	GRIP A, CLUTCH LEVER		2			7921
19	76904-B18-000	GRIP B, CLUTCH LEVER		2			7922
20	76906-A91-000	BOLT, SCREW 4 × 20		4			7923



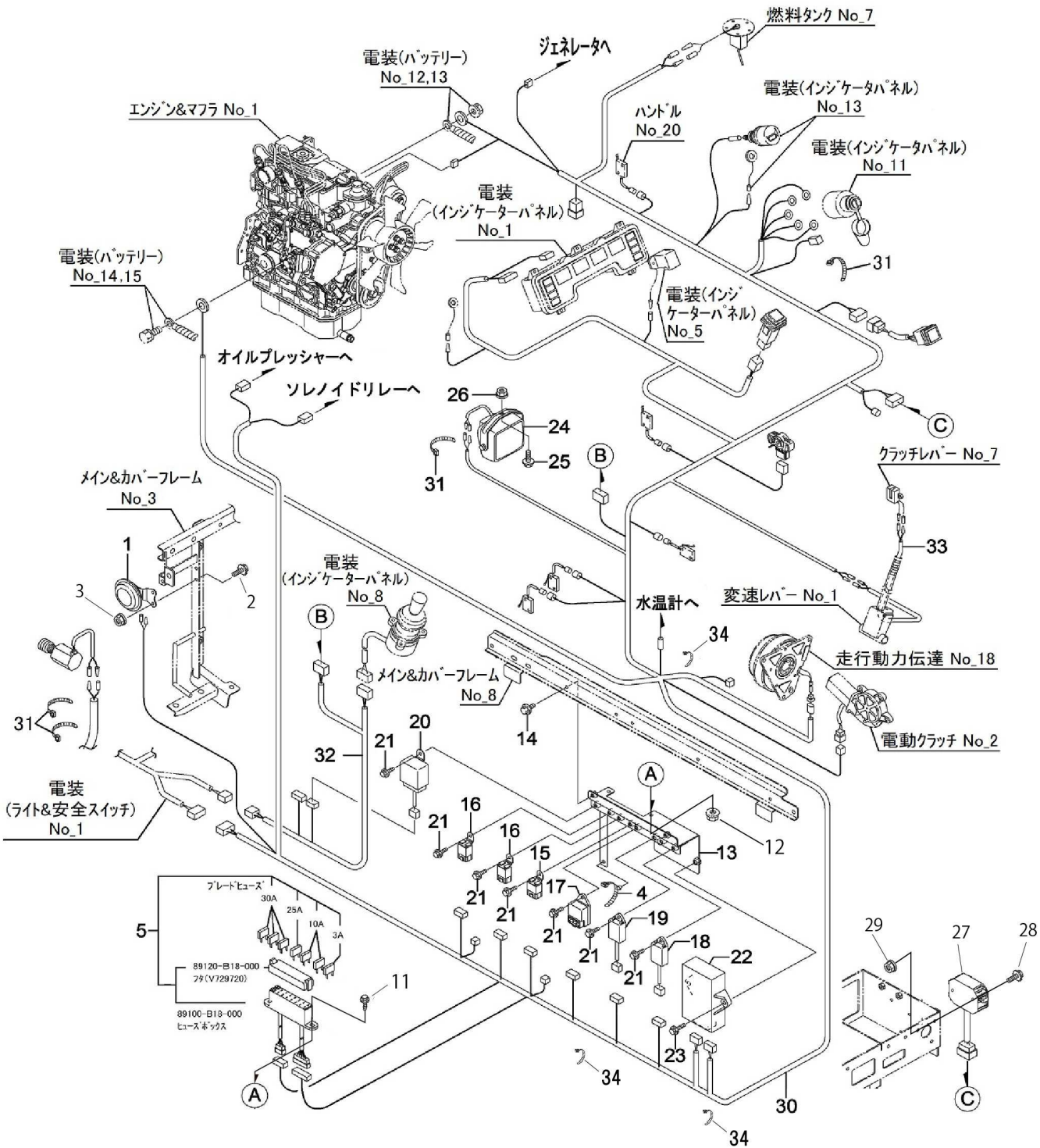
No	Product Number	Product Name	ST	Qty	Remarks	Rev. Date	No
1	75800-B56-800	HOLDER COMP, BONNET	B2	1			7871
2	75901-B56-800	LEVER, BONNET	B2	1			7872
3	94330-0602510	PIN, 6×25		1			7873
4	94101-06010	WASHER, PLAIN 6		1			7874
5	94210-20120	PIN, SPLIT 2×12		1			7875
6	91601-M27-001	SPRING, COIL 12.5×50	M1B	1			7876
7	93100-0601617	BOLT, FLANGE 6×16		2			7877
8	91731-0809021	GRIP, LEVER J8		1			7878
9	91731-1201011	GRIP, LEVER A12		1			7951
10	75905-B84-801	LEVER, AXLE	B2	1			7881
11	94101-08015	WASHER, PLAIN 8		1			7882
12	91252-082	SPRING H, PLATE 8		2			7883
13	75906-B84-800	PLATE, THRUST	B2	1			7884
14	91235-08100	NUT, HARD LOCK 8		1			7885
15	77200-B84-000	WIRE, AXLE		1			7886
16	75907-B18-000	KNOB, THROTTLE LEVER		1			7931
17	93500-0401014	SCREW, PAN 4×10		1			7888
18	75908-B18-001	SCREW, SPECIAL 4×8		1			7932
19	91318-20058	PURSE LOCK 2-0058		1			7887
20	91310-150	BAND, PRT1.5S		1		Δ 1 2023/02/03	7889
21	75901-B97-000	GUIDE, SPEED SHIFTING LEVER		1			7901
22	75902-B72-801	CLAMP, LEVER GUIDE	B2	1			7902
23	94002-06410	NUT, FLANGE 6		8			7903
24	94003-10412	NUT, SMALL 10		1			7941
25	75901-B53-800	LEVER, HYDRAULIC OPERATION	B2	1			7942
26	76909-A91-000	BOOT, LEVER		1			7943



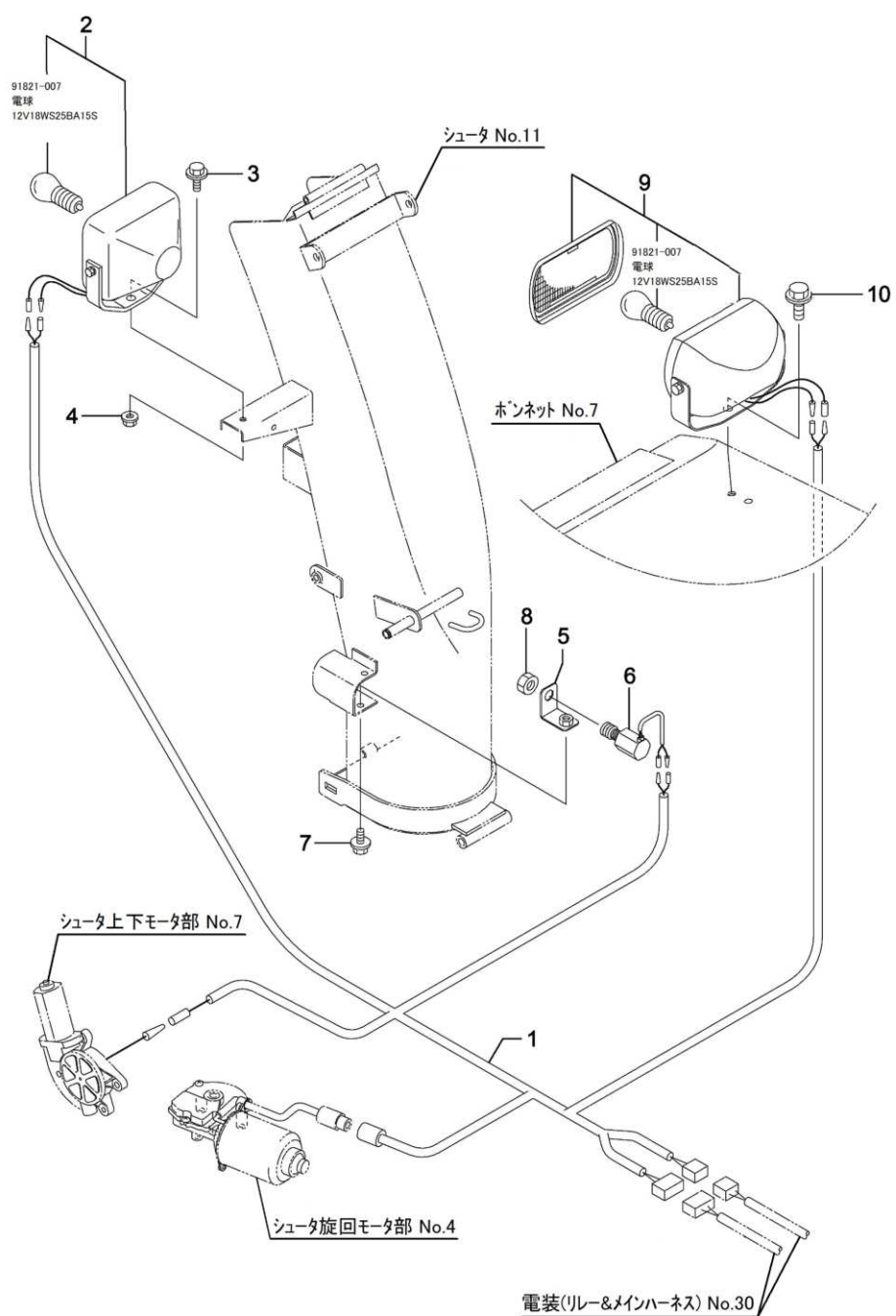
No	Product Number	Product Name	ST	Qty	Remarks	Rev. Date	No
1	83100-B84-005	METER, COMBINATION		1		Δ 1 2023/12/12	8021
2	92000-0401614	BOLT, 4 × 16		5			8022
3	94111-04012	WASHER, SPG 4		5			8023
4	94101-04010	WASHER, PLAIN 4		5			8024
5	83500-B72-000	LIGHT, LED		1			8025
6	87300-B18-000	CORD, EARTH		1			8026
7	94002-04410	NUT, FLANGE 4		2			8027
8	83200-B18-000	SWITCH, CONTROL		1			8031
9	83902-B18-000	WASHER, RD 11 × 32 × 4.5	M1	1			8032
10	93100-0602017	BOLT, FLANGE 6 × 20		3			8033
11	83100-A58-000	SWITCH, KEY		1			8041
12	83200-B54-000	SWITCH, PUSH LIGHT		1			8051
13	83300-B72-001	SWITCH, HORN		1	マーク向き変更(メーカー要望)		8061
14	85500-B72-000	EARTH, PANEL		1			8171
15	93500-0401614	SCREW, PAN 4 × 16		2			8172
16	88100-B84-800	COVER COMP, METER	B2	1			8201
17	93100-0601017	BOLT, FLANGE 6 × 10		2			8202
18	88901-B84-000	SPONGE, 90 × 298		1			8203
19	88902-B84-000	SHUTTER, COUPLER		1			8204



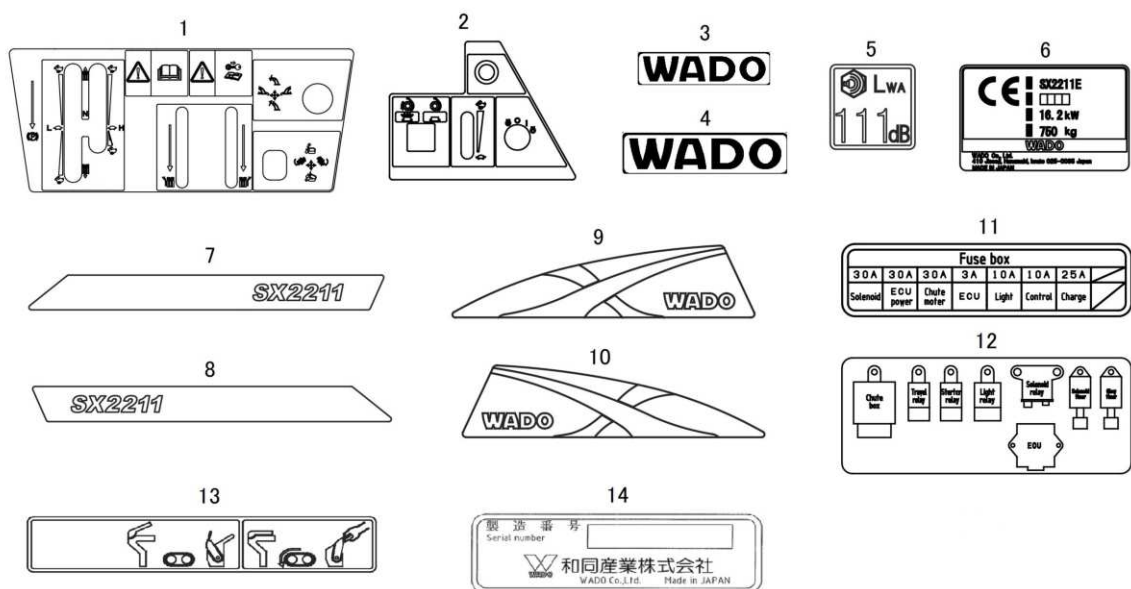
No	Product Number	Product Name	ST	Qty	Remarks	Rev. Date	No
1	41800-B78-802	バッテリーケースCOMP	B2	1		Δ 2 2026/05/08	4401
2	94101-10015	WASHER, PLAIN 10		2			4405
3	93300-1002517	BOLT, FLANGE 10 × 1.25 × 25		2			4404
4	91262-121400	PIN, PRESS 12 × 140	M1	1			4402
5	94251-120111	PIN, SNAP A12 × 2.6		1			4403
6	89901-A91-000	RUBBER, ANTI-VIBRATION		1			8212
7	91890-055B24R	BATTERY, 55B24R		1			8211
8	86901-B54-802	CLAMP, BATTERY	B2	1		Δ 1 2024/01/23	8213
9	-					Δ 1 2024/01/23	8214
10	94001-06412	NUT, 6		2			8215
11	86901-A20-001	BOLT, BATTERY SET	M1	1			8216
12	87100-B16-031	CORD (+), BATTERY		1			8221
13	94002-08410	NUT, FLANGE 8		1			8222
14	87200-B84-000	CORD (-), BATTERY 1050		1			8231
15	93000-1002017	BOLT, LOCK 10 × 30		1		Δ 1 2024/06/26	8232



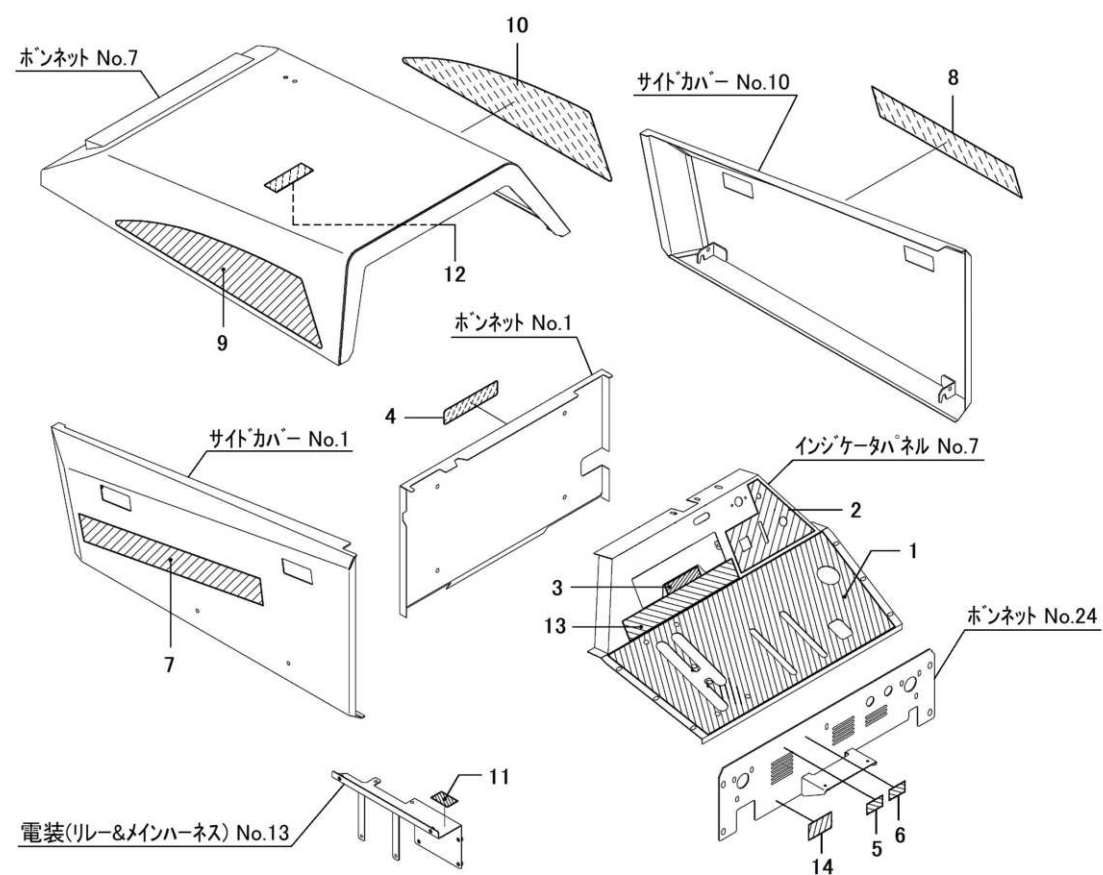
No	Product Number	Product Name	ST	Qty	Remarks	Rev. Date	No
1	83400-B72-000	BUZZER		1			8011
2	93100-0601617	BOLT, FLANGE 6×16		2			8012
3	94002-06410	NUT, FLANGE 6		2			8013
4	91314-11W02	STRAP, CABLE 1-1W02		1			8042
5	80001-B85-000	BOX ASSY, FUSE		1			8071
11	93100-0601617	BOLT, FLANGE 6×16		2			8072
12	94002-06410	NUT, FLANGE 6		2			8073
13	82300-B85-800	BRACKET COMP, RELAY	B2	1			8101
14	93100-0601217	BOLT, FLANGE 6×12		2			8102
15	84100-B32-001	RELAY, C		1			8111
16	84500-B18-001	RELAY, NO		2			8112
17	119650-77911	RELAY COMP, GLOW		1	エンジン付属		8113
18	129155-77925	RELAY, TIMER (4S)		1	エンジン付属		8114
19	129211-77920	RELAY, TIMER (1 SEC)		1	エンジン付属		8115
20	84200-B88-000	RELAY, CHUTE		1		Δ 1 2025/06/03	8116
21	93100-0601217	BOLT, FLANGE 6×12		8			8117
22	84300-B85-000	ECU, SX		1		Δ 1 2025/06/11	8121
23	93100-0802517	BOLT, FLANGE 8×25		2			8122
24	83100-G18-000	LAMP, 18W		1			8151
25	93100-0801617	BOLT, FLANGE 8×16		1			8152
26	94002-08410	NUT, FLANGE 8		1			8153
27	119225-77721	CURRENT LIMITER 20A		1	エンジン付属		8161
28	93100-0602517	BOLT, FLANGE 6×25		2			8162
29	94002-06410	NUT, FLANGE 6		2			8163
30	85100-B85-033	HARNESS, MAIN		1			8251
31	91311-140	BAND, REPEAT RF140		4			8252
32	85200-B85-000	HARNESS, CHUTE		1			8261
33	85600-B56-030	HARNESS, REED SWITCH		1			8263
34	91311-250	BAND, REPEAT RF250		3			8253

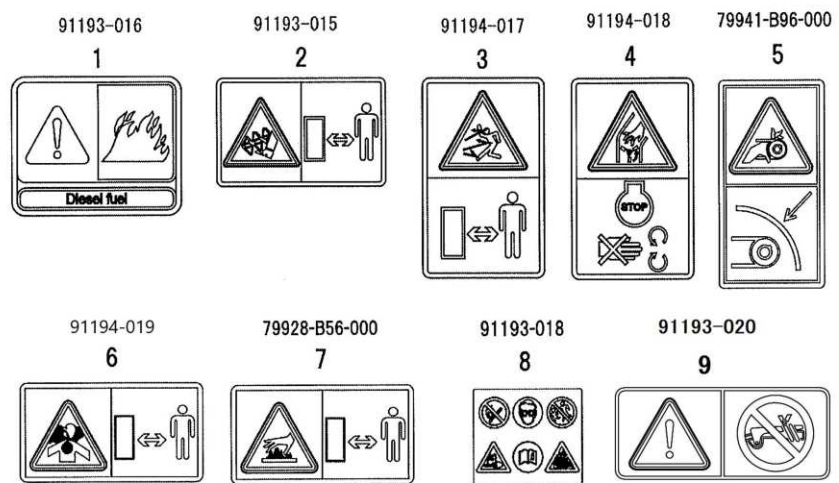


No	Product Number	Product Name	ST	Qty	Remarks	Rev. Date	No
1	85400-B72-030	HARNES, CHUTE LIGHT		1			8262
2	83100-G18-000	LAMP, 18W		1			8431
3	93100-0801617	BOLT, FLANGE 8×16		1			8435
4	94002-08410	NUT, FLANGE 8		1			8436
5	81200-A90-803	BRACKET COMP, CHUTE SWITC	B2	1			8462
6	83100-A65-000	SWITCH, GUARD		1			8461
7	93100-0801217	BOLT, FLANGE 8×12		1			8470
8	94005-12412	NUT, SMALL 12×1.25		1			8471
9	91820-0181003	LIGHT, 18W		1			4105
10	93300-1002017	BOLT, FLANGE 10×1.25×20		1			4106

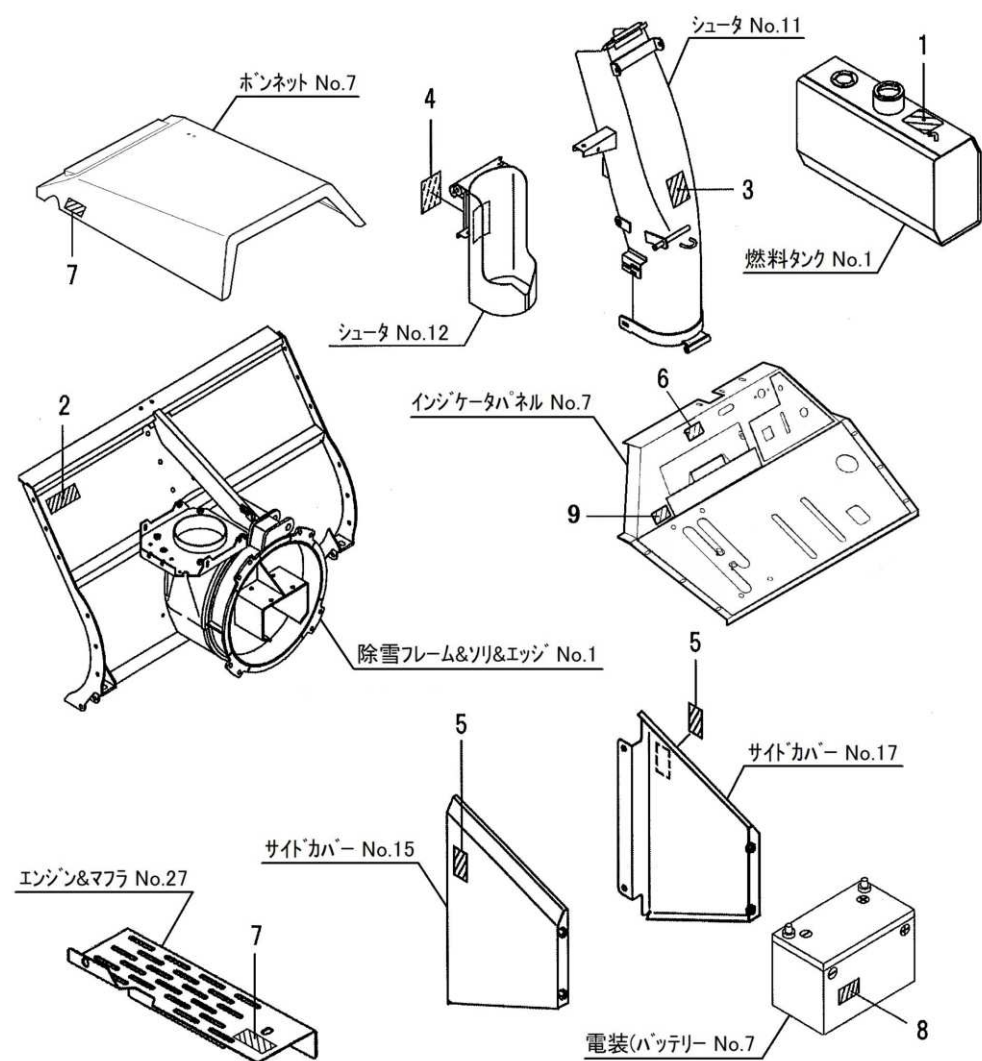


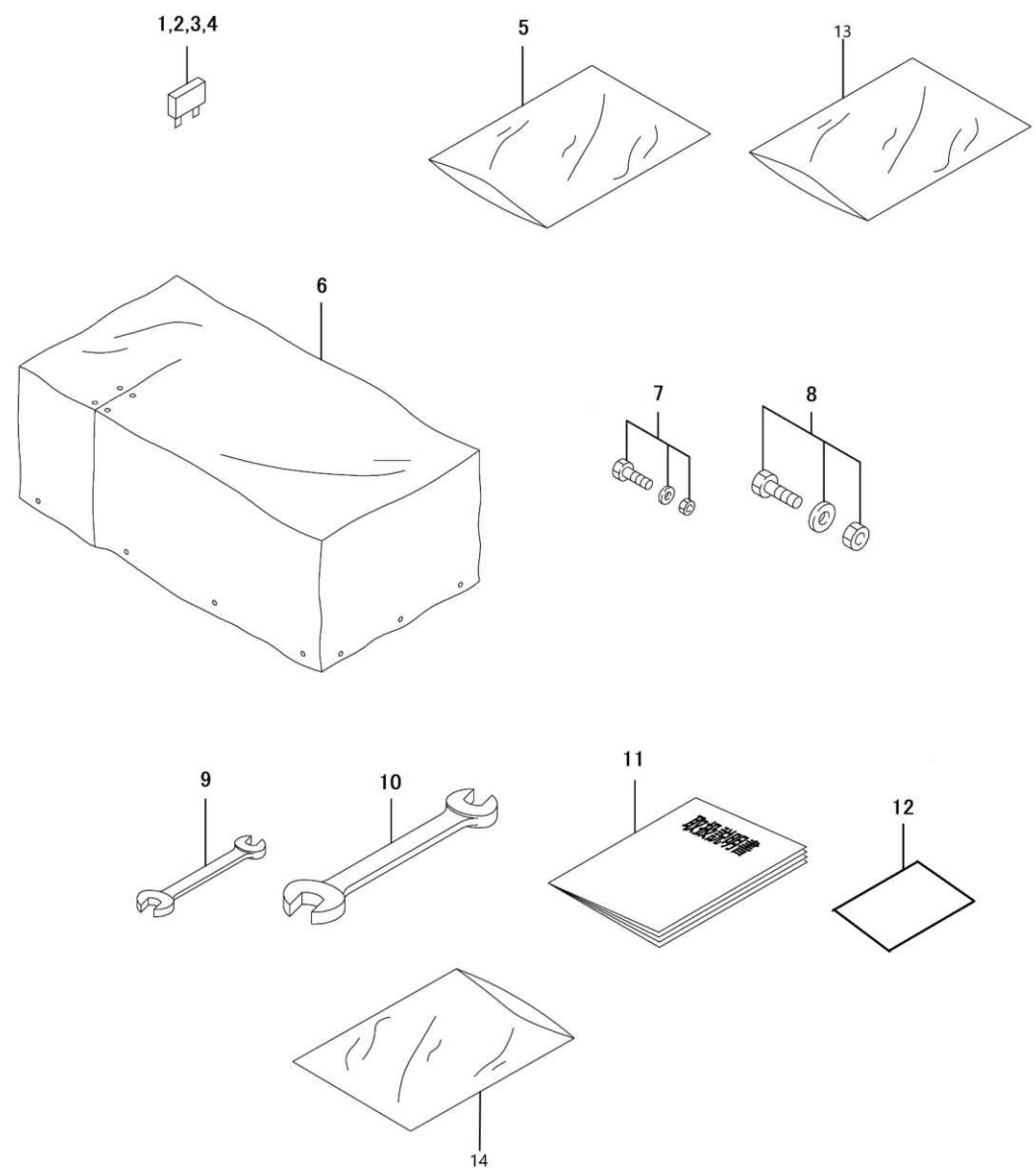
No	Product Number	Product Name	ST	Qty	Remarks	Rev. Date	No
1	79901-B86-030	MARK, PANEL		1			9001
2	79902-B86-000	MARK, INDICATOR PANEL		1			9002
3	91830-A26-000	MARK A, WADO		1			9003
4	91831-A26-000	MARK B, WADO		1			9004
5	79909-B86-000	MARK, NOISE (111dB)		1			9006
6	79910-B86-000	MARK, CE		1			9007
7	79914-B86-000	MARK L, SIDE		1			9011
8	79915-B86-000	MARK R, SIDE		1			9012
9	79910-B79-000	MARK L, BONNET		1			9021
10	79911-B79-000	MARK R, BONNET		1			9022
11	79908-B86-000	MARK, FUSE		1			9032
12	79907-B86-000	MARK, RELAY		1			9035
13	79926-B99-000	MARK, CLUTCH		1			9038
14	91907-001	-		1			9052





No	Product Number	Product Name	ST	Qty	Remarks	Rev. Date	No
1	91193-016	LABEL, FUEL DANGER		1			9102
2	91193-015	LABEL, AUGER DANGER		1			9103
3	91194-017	LABEL, DISCHARGE WARNING		1			9104
4	91194-018	LABEL, BLOWER WARNING		1			9105
5	79941-B96-000	LABEL, BELT COVER CAUTION		2			9106
6	91194-019	LABEL, EXHAUST GAS WARNIN		1			9107
7	79928-B56-000	LABEL, MUFLER CAUTION		2			9108
8	91193-018	LABEL, BATTERY DANGER		1			9109
9	91193-020	LABEL, DEADMAN DANGER		1			9039





No	Product Number	Product Name	ST	Qty	Remarks	Rev. Date	No
1	91811-103	FUSE, BLADE 3A		1			9301
2	91811-110	FUSE, BLADE 10A		1			9302
3	91811-125	FUSE, BLADE 25A		1			9303
4	91811-130	FUSE, BLADE 30A		1			9304
5	91998-070811	BAG, POLY 0.07 × 80 × 110		1			9305
6	98100-B18-000	COVER, SEAT		1			9306
7	90001-B16-000	BOLT ASSY, SHEAR 8 × 25		1	プロワ		9312
8	90002-B18-000	BOLT ASSY, SHEAR 10 × 30		1	オーガ		9313
9	91904-B16-000	WRENCH 13, COMBINATION		1	プロワ		9315
10	91905-B16-000	WRENCH 17, COMBINATION		1	オーガ		9316
11	91906-B86-050	INSTRUCTION MANUAL		1			9401
12	91903-001	CERTIFICATE, INSPECTION PAS		1			9402
13	91998-071523	BAG, POLY 0.07 × 150 × 230		1	工具ASSY		9317
14	91997-240325	BAG, AIR CUSHION 240 × 325		1	同梱品ASSY		9318