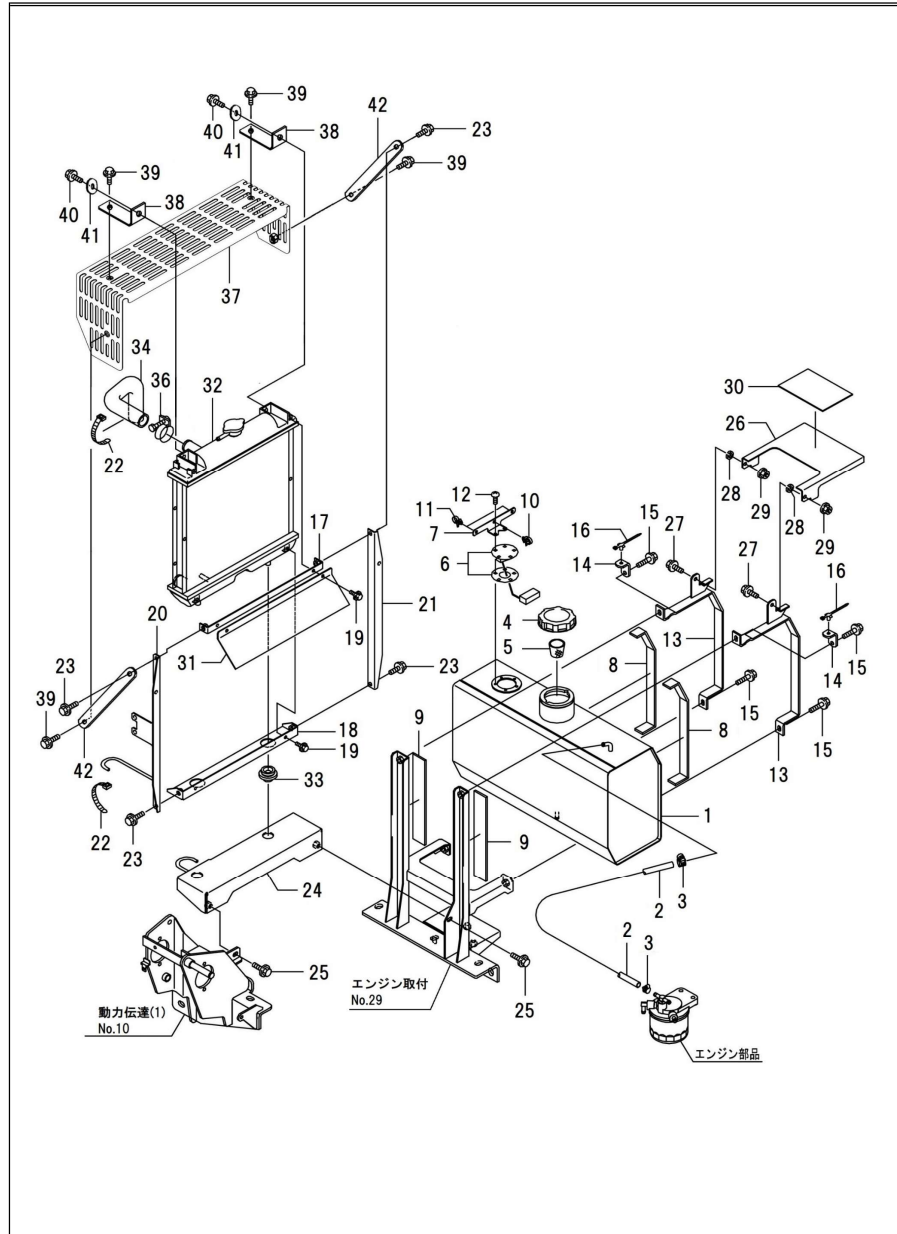


No.	Parts No.	Name	Quantity	Note
1	01001-B97-000	ENGINE, 3TNV82A-BNSR	1	
3	22190-160002	WASHER, SEAL 16	1	
4	129459-39150	DRAIN, OIL EXTENSION	1	
5	91323-019	CLAMP, HOSE 19	2	
6	91542-1506001	HOSE, 15×600	1	
7	91382-1905401	CORRUGATE, 19×540	1	
8	02700-B56-000	JOINT COMP, DRAIN	1	
9	93100-0802017	BOLT, FLANGE 8×20	1	
10	91691-1222205	PACKING, 12.5×22×2.0	1	
11	93300-1201617	BOLT, FLANGE 12×1.25×16	1	
12	98310-02024	RING O, P20	1	
13	67902-A63-000	FLANGE, HYDRAULIC	1	
14	93100-0602517	BOLT, FLANGE 6×25	4	
15	51902-B54-001	JOINT, ELBOW PT3/8×PF1/2 90°	1	
16	51901-B84-000	JOINT, ELBOW PF3/8×PF1/4 45°	1	
17	02100-B54-030	BASE L COMP, ENGINE	1	
18	93000-1202517	BOLT, SPECIAL 12×25	5	
19	94101-12010	WASHER, PLAIN 12	6	
20	93000-1203017	BOLT, SPECIAL 12×30	6	
21	03908-B56-000	HOLDER, CABLE	1	
22	93100-0802017	BOLT, FLANGE 8×20	1	
23	94002-08410	NUT, FLANGE 8	1	
24	91314-119P7	STRAP, CABLE 1-19P7	1	
25	02200-B97-000	BASE R COMP, ENGINE	1	
26	93000-1202517	BOLT, SPECIAL 12×25	8	
27	94101-12010	WASHER, PLAIN 12	6	
28	93000-1203017	BOLT, SPECIAL 12×30	6	
29	02800-B56-001	BASE COMP, FUEL TANK	1	
31	94101-12010	WASHER, PLAIN 12	5	
32	93000-1203017	BOLT, SPECIAL 12×30	4	
63	04100-B54-000	BRACKET COMP, FUEL FILTER	1	
64	129004-55612	STAY, FO FILTER	1	
65	93100-0803017	BOLT, FLANGE 8×30	2	
66	119802-55801	FILTER, FO	1	
67	91543-0750231	HOSE, BLADE 7.5×230	1	
68	91543-0750321	HOSE, BLADE 7.5×320	1	
69	91324-013	BAND, HOSE 13	4	
70	93100-0801617	BOLT, FLANGE 8×16	2	
74	93000-1202517	BOLT, SPECIAL 12×25	1	
41	-	-		
42	91314-119P7	STRAP, CABLE 1-19P7	1	







No.	Parts No.	Name	Quantity	Note
1	04100-B97-001	TANK COMP, FUEL 25	1	
2	91543-0751201	HOSE, BLADE 7.5 × 1200	1	
3	91324-013	BAND, HOSE 13	2	
4	02010-B50-000	CAP, FUEL	1	
5	02020-B50-000	FILTER	1	
6	04300-B78-000	SENSOR, FUEL	1	
7	04901-B97-000	STAY, HARNESS	1	
8	04901-B85-000	RUBBER, 40 × 580 × 5	2	
9	04902-B85-000	RUBBER, 40 × 250 × 5	2	
10	91315-C4397	CLIP, CABLE C-4397	1	
11	91315-C2S12	CLIP, CABLE C-2S12	2	
12	93500-0501214	SCREW, PAN 5 × 12	5	
13	03600-B97-000	BAND COMP, FUEL TANK	2	
14	03908-B56-000	HOLDER, CABLE	2	
15	93100-0803017	BOLT, FLANGE 8 × 30	4	
16	91314-119P7	STRAP, CABLE 1-19P7	2	
17	03100-B54-000	UPPER FRAME COMP, RADIATOR	1	
18	03200-B54-001	LOWER FRAME COMP, RADIATOR	1	
19	93100-0601617	BOLT, FLANGE 6 × 16	4	
20	03800-B54-000	FRAME L COMP, RADIATOR	1	
21	03902-B54-000	FRAME R, RADIATOR	1	
22	91311-250	BAND, REPEAT RF250	2	
23	93100-0801617	BOLT, FLANGE 8 × 16	4	
24	03300-B54-030	BASE COMP, RADIATOR	1	
25	93100-0801617	BOLT, FLANGE 8 × 16	2	
26	03903-B61-002	GUIDE, TANK	1	
27	93100-0802017	BOLT, FLANGE 8 × 20	2	
28	94111-08012	WASHER, SPG 8	2	
29	91234-084110	NUT, TOUGH LOCK 8	2	
30	03906-B53-000	TAPE, AK 150 × 100	1	
31	03901-B72-001	GUIDE, AIR	1	
32	119802-44500	RADIATOR COMP	1	
33	119255-44660	RUBBER, ANTIVIBRATION (RADIATOR)	2	
34	119960-49010	CW-T, A	1	
35	119960-49020	CW-T, B	1	
36	23010-038000	BAND, HOSE 38	4	
37	08500-B54-802	COVER COMP, FAN	1	
38	08902-B54-000	STAY A, FAN COVER	2	
39	93100-0801617	BOLT, FLANGE 8 × 16	4	
40	93100-0602517	BOLT, FLANGE 6 × 25	2	
41	94101-06015	WASHER, PLAIN 6	2	
42	08903-B54-000	STAY B, FAN COVER	2	
43	28910-L06-000	RUBBER, 8 × 55	1	









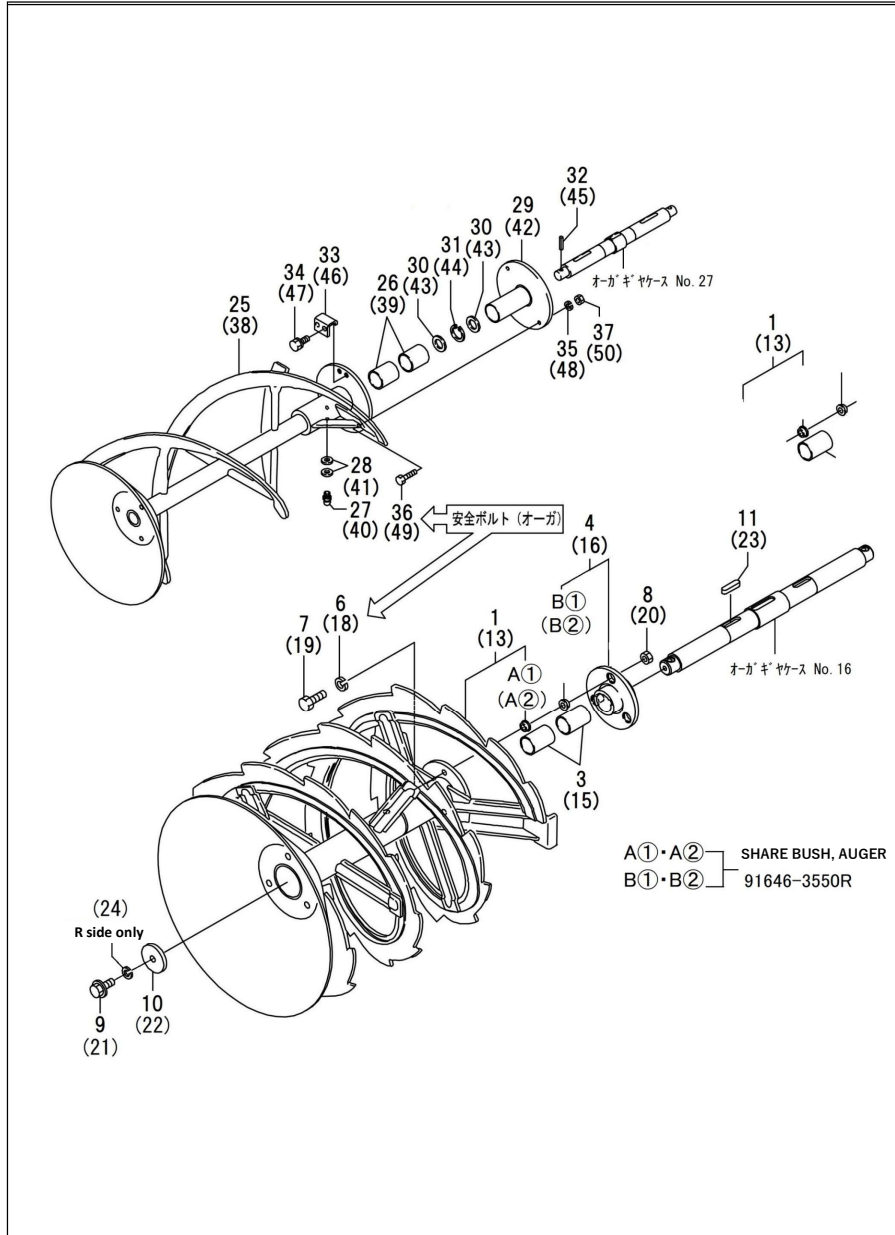




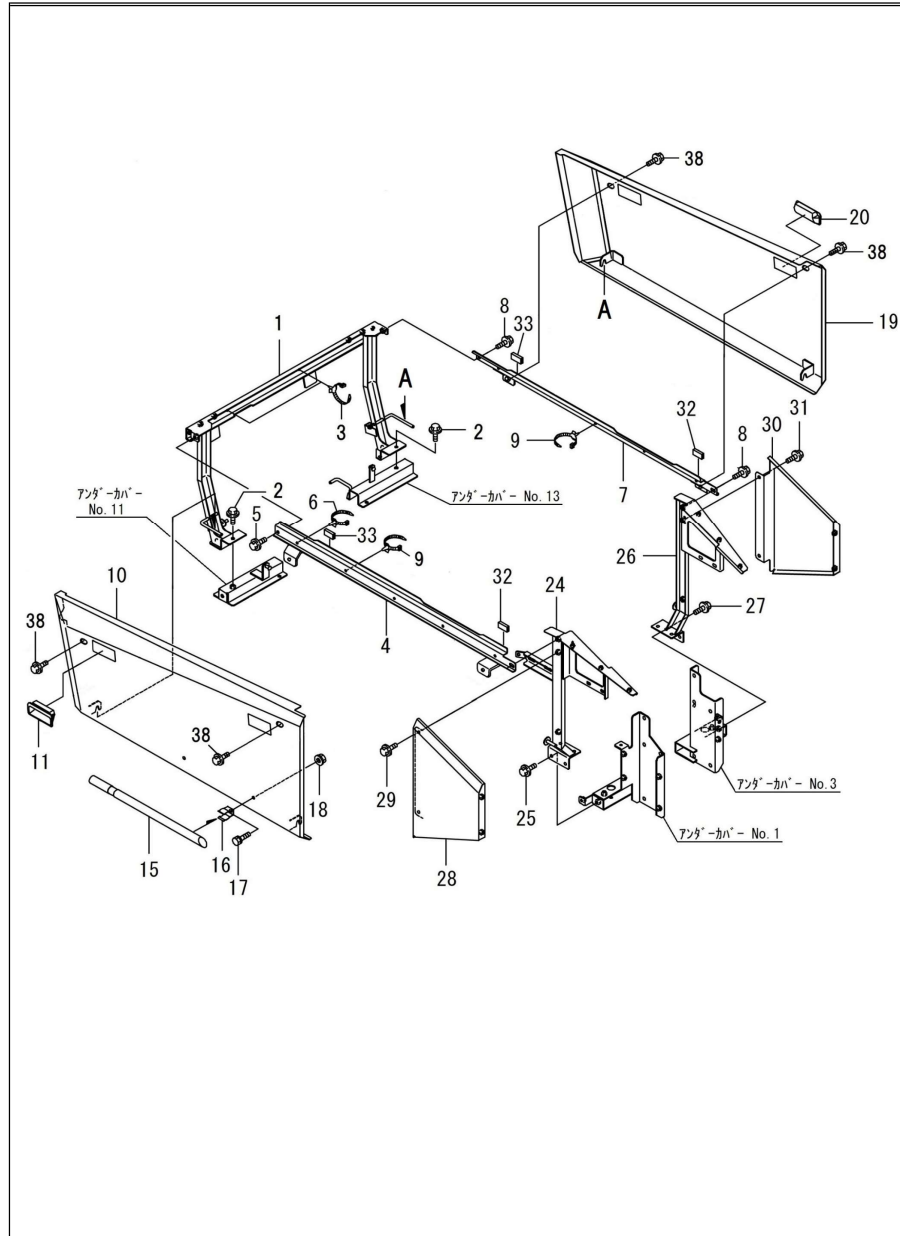








No.	Parts No.	Name	Quantity	Note
1	35100-B56-009	AUGER L COMP, LOWER	1	
3	91646-3550R	BUSH, BM3550FS	2	
4	35500-B72-002	FLANGE COMP, AUGER SHARE	1	
6	94111-10012	WASHER, SPG 10	1	
7	92001-1003014	BOLT, 10 × 30	1	
8	94001-10412	NUT, 10	1	
9	93300-1002017	BOLT, FLANGE 10 × 1.25 × 20	1	
10	91251-1045601	WASHER, RD 10 × 45 × 6.0	1	
11	97116-040241	KEY, 10 × 8 × 40RR	1	
13	35200-B56-009	AUGER R COMP, LOWER	1	
15	91646-3550R	BUSH, BM3550FS	2	
16	35500-B72-002	FLANGE COMP, AUGER SHARE	1	
18	94111-10012	WASHER, SPG 10	1	
19	92001-1003014	BOLT, 10 × 30	1	
20	94001-10412	NUT, 10	1	
21	91225-1002017	BOLT, SPECIAL 10 × 1.25 × 20	1	
22	91251-1045601	WASHER, RD 10 × 45 × 6.0	1	
23	97116-040241	KEY, 10 × 8 × 40RR	1	
24	91254-10012	WASHER, SPECIAL 10	1	
25	35300-B56-002	AUGER L COMP, UPPER	1	
26	91646-3540R	BUSH, BM3540FS	2	
27	96381-20000	NIPPLE, GREASE A-MT6 × 1	1	
28	94101-06010	WASHER, PLAIN 6	2	
29	35100-B18-002	FLANGE COMP, UPPER SHARE	1	
30	91251-1830321	WASHER, RD 18 × 30 × 3.2	2	
31	94520-30080	CIRCLIP, IN 30	1	
32	94319-60025	PIN, SPG 6 × 25	1	
33	35903-A09-000	STOPPER	1	
34	93000-0801217	BOLT, SPECIAL 8 × 12	2	
35	94111-06012	WASHER, SPG 6	1	
36	92001-0602514	BOLT, 6 × 25	1	
37	94001-06412	NUT, 6	1	
38	35400-B56-002	AUGER R COMP, UPPER	1	
39	91646-3540R	BUSH, BM3540FS	2	
40	96381-20000	NIPPLE, GREASE A-MT6 × 1	1	
41	94101-06010	WASHER, PLAIN 6	2	
42	35100-B18-002	FLANGE COMP, UPPER SHARE	1	
43	91251-1830321	WASHER, RD 18 × 30 × 3.2	2	
44	94520-30080	CIRCLIP, IN 30	1	
45	94319-60025	PIN, SPG 6 × 25	1	
46	35903-A09-000	STOPPER	1	
47	93000-0801217	BOLT, SPECIAL 8 × 12	2	
48	94111-06012	WASHER, SPG 6	1	
49	92001-0602514	BOLT, 6 × 25	1	
50	94001-06412	NUT, 6	1	

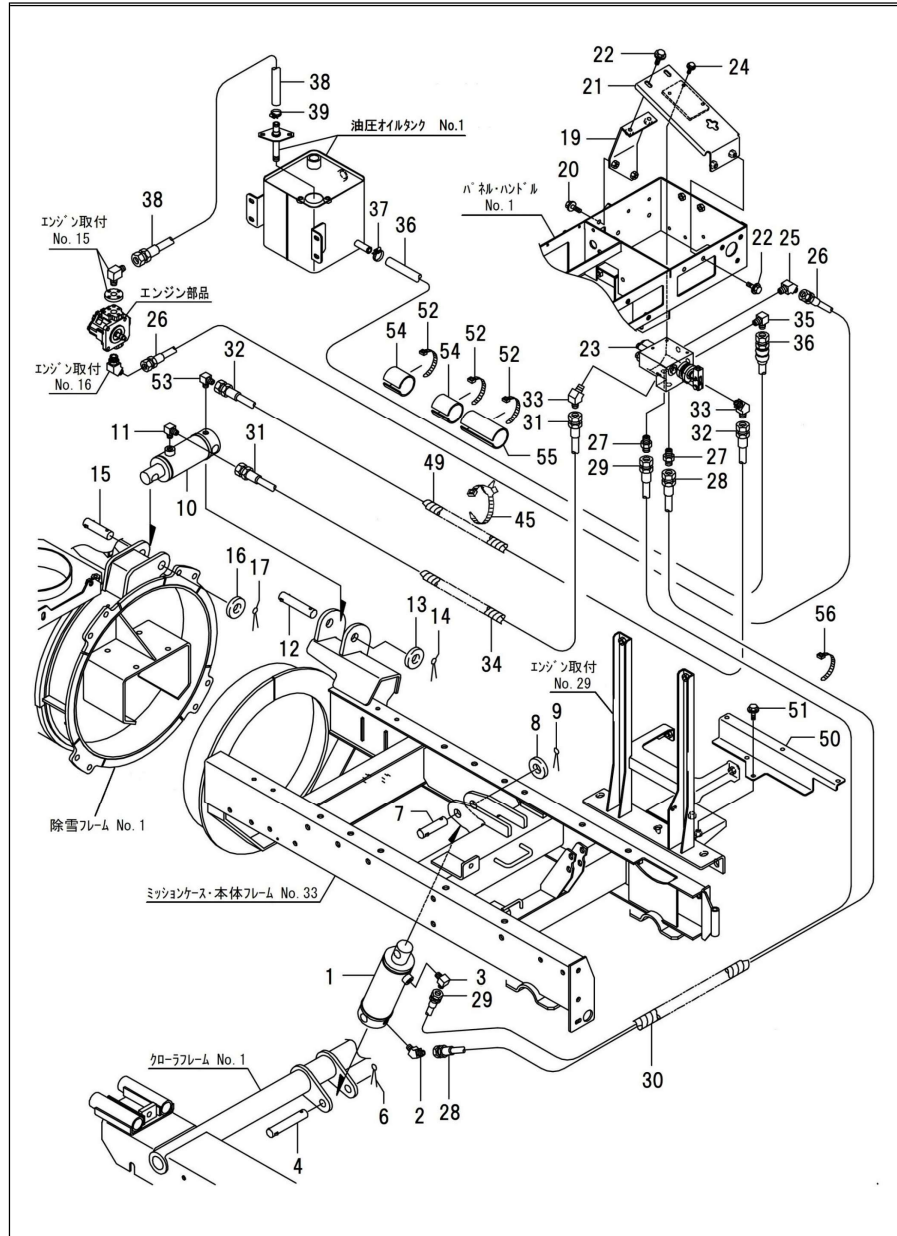


No.	Parts No.	Name	Quantity	Note
1	48400-B72-001	FRAME R COMP, REAR COVER	1	
2	93100-0801617	BOLT, FLANGE 8×16	4	
3	91314-119P7	STRAP, CABLE 1-19P7	2	
4	47100-B97-001	FRAME L COMP, SIDE	1	
5	93100-0801617	BOLT, FLANGE 8×16	2	
6	91314-119P7	STRAP, CABLE 1-19P7	2	
7	47200-B97-001	FRAME R COMP, SIDE	1	
8	93100-0801617	BOLT, FLANGE 8×16	2	
9	91314-119P7	STRAP, CABLE 1-19P7	3	
10	48100-B97-001	STAY L COMP, COVER	1	
11	48901-B69-030	HANDLE, AP-197-1-3	2	
12	-	-		
13	-	-		
14	-	-		
15	39901-B51-001	BAR, SNOW DROP	1	
16	39902-A65-001	STOPPER, BAR	2	
17	92200-0801617	BOLT, 8×16	2	
18	94002-08410	NUT, FLANGE 8	2	
19	48200-B97-001	FRAME COMP, FRONT	1	
20	48901-B69-030	HANDLE, AP-197-1-3	2	
21	-	-		
22	-	-		
23	-	-		
24	48500-B72-004	COVER L COMP, REAR SIDE	1	
25	93100-0801617	BOLT, FLANGE 8×16	2	
26	48600-B72-004	STOPPER COMP, SIDE COVER	1	
27	93100-0801617	BOLT, FLANGE 8×16	2	
28	48700-B72-001	STOPPER COMP, SIDE COVER	1	
29	93100-0801617	BOLT, FLANGE 8×16	2	
30	48800-B72-001	COVER R COMP, REAR SIDE	1	
31	93100-0801617	BOLT, FLANGE 8×16	2	
32	48903-B53-000	RUBBER, 12×25	2	
33	48903-B53-000	RUBBER, 12×25	2	
34	-	-		
35	-	-		
36	-	-		
37	-	-		
38	93100-0801617	BOLT, FLANGE 8×16	4	
39	94101-08015	WASHER, PLAIN 8	4	
40	-	-		



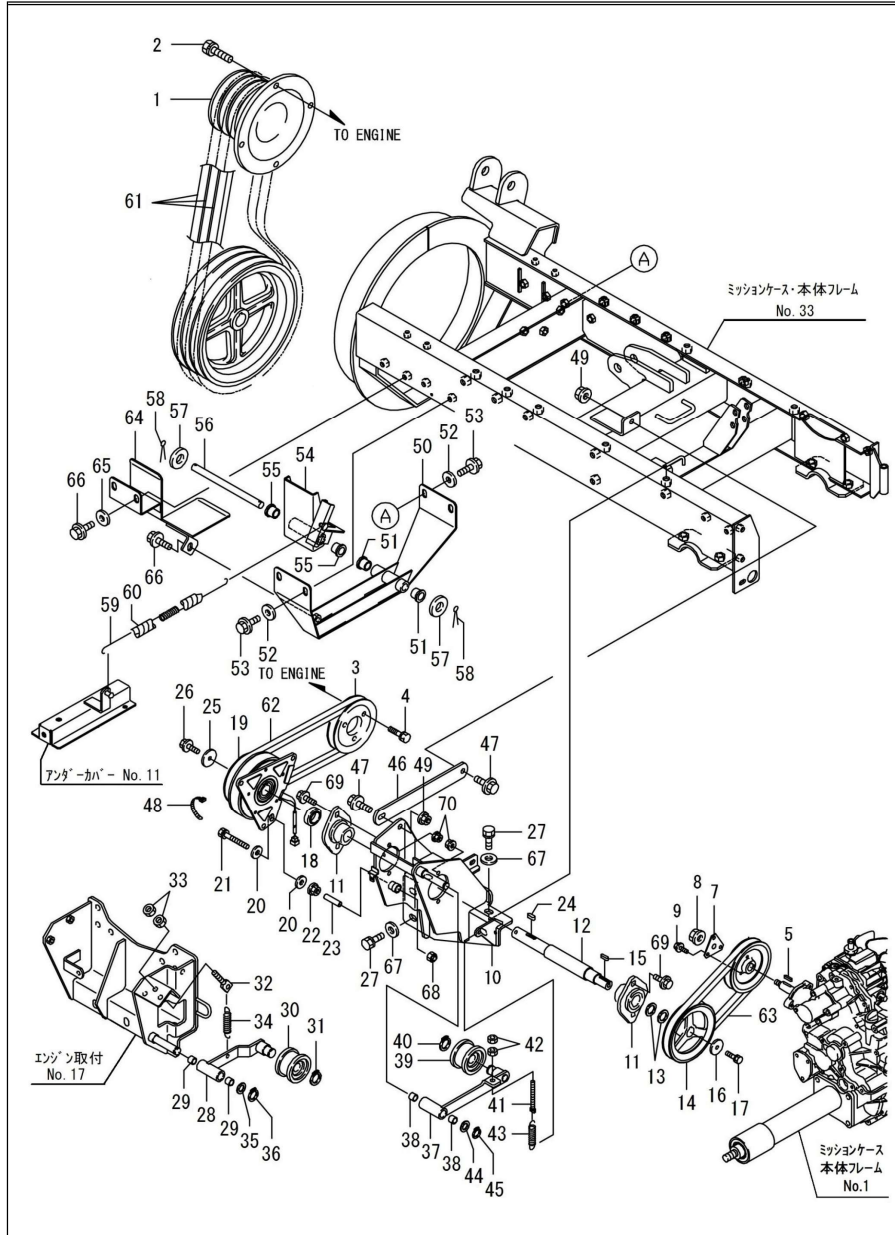






No.	Parts No.	Name	Quantity	Note
1	50001-B56-000	CYLINDER ASSY, HYDRAULIC $\phi 60 \times 115$	1	
2	51901-B53-001	JOINT, SPECIAL ELBOW 45°	1	
3	91551-3022004	JOINT, ELBOW 302204 90°	1	
4	91261-201101	PIN, 20 $\times$ 110	1	
6	94210-40400	PIN, SPLIT 4 $\times$ 40	1	
7	91261-200751	PIN, 20 $\times$ 75	1	
8	94101-20010	WASHER, PLAIN 20	1	
9	94210-40400	PIN, SPLIT 4 $\times$ 40	1	
10	50002-B56-000	CYLINDER ASSY, HYDRAULIC $\phi 50 \times 60$	1	
11	91551-3022004	JOINT, ELBOW 302204 90°	1	
12	91261-201001	PIN, 20 $\times$ 100	1	
13	94101-20010	WASHER, PLAIN 20	1	
14	94210-40400	PIN, SPLIT 4 $\times$ 40	1	
15	91261-200851	PIN, 20 $\times$ 85	1	
16	94101-20010	WASHER, PLAIN 20	1	
17	94210-40400	PIN, SPLIT 4 $\times$ 40	1	
19	51200-B51-000	BRACKET COMP, VALVE BASE	1	
20	93100-0801617	BOLT, FLANGE 8 $\times$ 16	2	
21	51100-B74-001	BASE COMP, VALVE	1	
22	93100-0801617	BOLT, FLANGE 8 $\times$ 16	4	
23	50001-B53-003	VALVE, DCV1	1	
24	93100-0602017	BOLT, FLANGE 6 $\times$ 20	3	
25	91551-3024004	JOINT, ELBOW 302404 45°	1	
26	91545-2210833	HOSE, HYDRAULIC SPL 1/4 $\times$ 1080	1	
27	91551-3002004	ADAPTER, 3002F04	2	
28	91541-2314533	HOSE, HYDRAULIC 1/4 $\times$ 1450	1	
29	91541-2314533	HOSE, HYDRAULIC 1/4 $\times$ 1450	1	
30	91382-2205001	CORRUGATE 22 $\times$ 500	1	
31	91545-2216533	HOSE, HYDRAULIC SPL 1/4 $\times$ 1650	1	
32	91545-2215833	HOSE, HYDRAULIC SPL 1/4 $\times$ 1580	1	
33	91551-3024004	JOINT, ELBOW 302404 45°	2	
34	91382-1506001	CORRUGATE 15 $\times$ 600	1	
35	51903-B53-001	JOINT, ELBOW PT1/4 $\times$ PF1/2 90°	1	
36	57200-B97-000	HOSE, HYDRAULIC 910	1	
37	91323-019	CLAMP, HOSE 19	1	
38	57100-B97-001	HOSE, HYDRAULIC 210	1	
39	91323-019	CLAMP, HOSE 19	1	
45	91314-119P7	STRAP, CABLE 1-19P7	1	
49	91382-1505001	CORRUGATE 15 $\times$ 500	1	
50	52901-B74-001	STAY, HOSE	1	
51	93100-0801617	BOLT, FLANGE 8 $\times$ 16	2	
52	91311-250	BAND, REPEAT RF250	3	
53	67901-A64-001	JOINT, SPECIAL ELBOW 90°	1	
54	53901-B74-000	RUBBER, 150 $\times$ 50 $\times$ 3	2	
55	53902-B74-000	RUBBER, 150 $\times$ 100 $\times$ 3	1	
56	91311-140	BAND, REPEAT RF140	1	





No.	Parts No.	Name	Quantity	Note
1	02901-B97-000	PULLEY, ENGINE	1	
2	93000-1203017	BOLT, SPECIAL 12×30	4	
3	02902-B54-000	PULLEY, ENGINE	1	
4	93000-1003017	BOLT, SPECIAL 10×30	3	
5	97112-022241	KEY, 5×5×22RR	1	
6	63902-B54-000	PULLEY, INPUT HST	1	
7	16901-B54-000	PLATE, FIXING	1	
8	94006-10410	NUT, FLANGE 10×1.25	1	
9	93100-0601617	BOLT, FLANGE 6×16	3	
10	61100-B97-001	BASE COMP, COUNTER	1	
11	91632-205450	FLANGE UNIT, RHOMBIC	2	
12	64901-B97-000	SHAFT, COUNTER	1	
13	91251-2030231	WASHER, RD 20×30×2.3	2	
14	63902-B97-000	PULLY, 141B-20	1	
15	97113-020041	KEY, 6×6×20S	1	
16	91251-0835451	WASHER, RD 8×35×4.5	1	
17	91219-0825010	BOLT, SPECIAL 8×25	1	
18	64902-B54-002	COLLAR, COUNTER SHAFT	1	
19	67100-B54-001	CLUTCH COMP, ELECTROMAGNETIC	1	
20	94101-08015	WASHER, PLAIN 8	2	
21	92201-0805517	BOLT, 8×55	1	
22	94002-08410	NUT, FLANGE 8	1	
23	91544-0730030	TUBE, GASOLINE 7.3×30	1	
24	97114-020041	KEY, 7×7×20S	1	
25	91251-0840451	WASHER, RD 8×40×4.5	1	
26	91219-0825010	BOLT, SPECIAL 8×25	1	
27	93000-1203017	BOLT, SPECIAL 12×30	5	
28	66200-B54-805	ARM A COMP, DRIVE TENSION	1	
29	91646-1512R	BUSH, BM1512FS	2	
30	91615-20704243	PULLY, TENSION 70TB2	1	
31	94510-20080	CIRCLIP, EX 20	1	
32	16904-M65-000	ROD, TENSION	1	
33	94003-08412	NUT, SPECIAL 8	2	
34	91601-A32-001	SPRING, TENSION	1	
35	91251-1525231	WASHER, RD 15×25×2.3	1	
36	94510-15080	CIRCLIP, EX 15	1	
37	66300-B54-003	ARM B COMP, DRIVE TENSION	1	
38	91646-1512R	BUSH, BM1512FS	2	
39	91615-20704243	PULLY, TENSION 70TB2	1	
40	94510-20080	CIRCLIP, EX 20	1	
41	66906-M65-030	ROD, TENSION	1	
42	94003-08412	NUT, SPECIAL 8	2	
43	91601-A32-001	SPRING, TENSION	1	
44	91251-1525231	WASHER, RD 15×25×2.3	1	
45	94510-15080	CIRCLIP, EX 15	1	
46	61901-B54-000	SUPPORT, TENSION BASE	1	
47	93300-1002517	BOLT, FLANGE 10×1.25×25	2	
48	91314-119P7	STRAP, CABLE 1-19P7	1	
49	94006-10410	NUT, FLANGE 10×1.25	2	
50	65100-B54-002	BRACKET COMP, BRAKE	1	







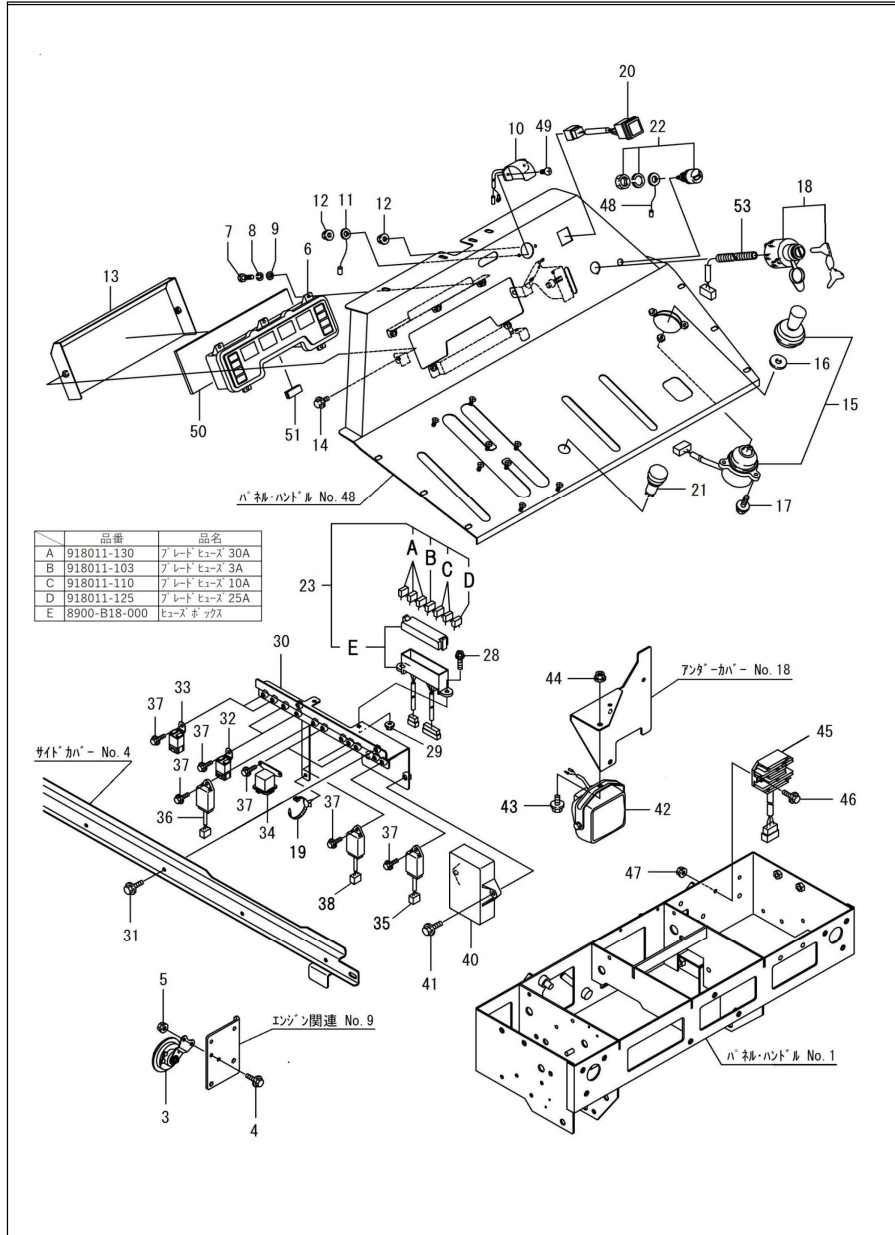






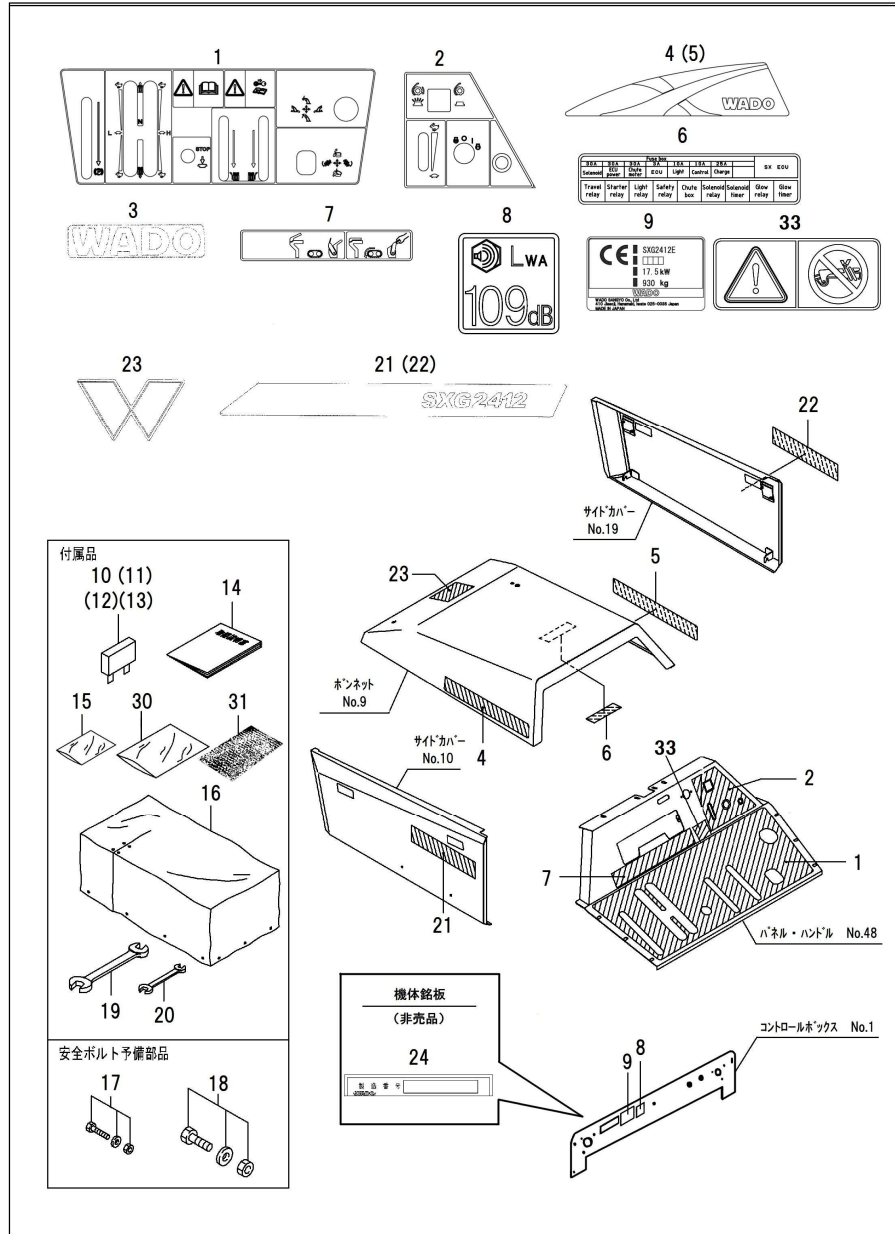






No.	Parts No.	Name	Quantity	Note
2	-	-		
3	83400-B72-000	BUZZER	1	
4	93100-0601617	BOLT, FLANGE 6×16	2	
5	94002-06410	NUT, FLANGE 6	2	
6	83100-B84-004	METER, COMBINATION	1	
7	92000-0401614	BOLT, 4×16	5	
8	94111-04012	WASHER, SPG 4	5	
9	94101-04010	WASHER, PLAIN 4	5	
10	83500-B72-000	LIGHT, LED	1	
11	87300-B18-000	CORD, EARTH	1	
12	94002-04410	NUT, FLANGE 4	2	
13	88100-B84-000	COVER COMP, METER	1	
14	93100-0601017	BOLT, FLANGE 6×10	2	
15	83200-B18-000	SWITCH, CONTROL	1	
16	83902-B18-000	WASHER, RD 11×32×4.5	1	
17	93100-0602017	BOLT, FLANGE 6×20	3	
18	83100-A58-000	SWITCH, KEY	1	
19	91314-11W02	STRAP, CABLE 1-1W02	1	
20	83200-B54-000	SWITCH, PUSH LIGHT	1	
21	83100-B97-000	BUTTON, EMERGENCY MW1B-M	1	
22	83300-B72-001	SWITCH, HORN	1	
23	80001-B85-000	BOX ASSY, FUSE	1	
28	93100-0601617	BOLT, FLANGE 6×16	2	
29	94002-06410	NUT, FLANGE 6	2	
30	82300-B97-003	BRACKET COMP, RELAY	1	
31	93100-0601217	BOLT, FLANGE 6×12	2	
32	84100-B32-001	RELAY, C	2	
33	84500-B18-001	RELAY, NO	2	
34	119650-77911	RELAY COMP, GLOW	2	
35	128300-77920	RELAY, TIMER (GLOW)	1	
36	84200-B18-001	RELAY, CHUTE	1	
37	93100-0601217	BOLT, FLANGE 6×12	11	
38	129211-77920	RELAY, TIMER (1 SEC)	1	
40	84100-B97-002	ECU, SX-ENG	1	
41	93100-0802517	BOLT, FLANGE 8×25	2	
42	83100-G18-000	LAMP, 18W	1	
43	93100-0801617	BOLT, FLANGE 8×16	1	
44	94002-08410	NUT, FLANGE 8	1	
45	119653-77711	CURRENT LIMITER 20A	1	
46	93100-0602517	BOLT, FLANGE 6×25	2	
47	94002-06410	NUT, FLANGE 6	2	
48	85500-B72-000	EARTH, PANEL	1	
49	93500-0401614	SCREW, PAN 4×16	2	
50	88901-B84-000	SPONGE, 90×298	1	
51	88902-B84-000	SHUTTER, COUPLER	1	
53	91382-1001501	CORRUGATE 10×150	1	





No.	Parts No.	Name	Quantity	Note
	91903-001	-	1	
1	79921-B97-000	MARK, PANEL	1	
2	79922-B72-000	MARK, INDICATOR PANEL	1	
3	91830-A26-000	MARK A, WADO	1	
4	79910-B79-000	MARK L, BONNET	1	
5	79911-B79-000	MARK R, BONNET	1	
6	79922-B97-000	MARK, RELAY FUSE	1	
7	79926-B99-000	MARK, CLUTCH	1	
8	79924-B97-000	MARK, NOISE (109dB)	1	
9	79923-B97-000	MARK, CE	1	
10	91811-103	FUSE 3A, BLADE	1	
11	91811-110	FUSE, BLADE 10A	1	
12	91811-125	FUSE, BLADE 25A	1	
13	91811-130	FUSE, BLADE 30A	1	
14	91906-B97-000	INSTRUCTION MANUAL	1	~No.207524
	91906-B97-050	INSTRUCTION MANUAL	1	No.207525~
15	91998-070811	BAG, POLY 0.07 × 80 × 110	1	
16	98100-B18-000	COVER, SEAT	1	
17	90001-B18-000	BOLT ASSY, SHEAR 6 × 25	1	
18	90002-B18-000	BOLT ASSY, SHEAR 10 × 30	2	
19	91905-B16-000	WRENCH 17, COMBINATION	1	
20	91905-B56-000	WRENCH 10, COMBINATION	2	
21	79910-B97-000	MARK L, SIDE	1	
22	79911-B97-000	MARK R, SIDE	1	
23	79912-B97-001	MARK, WADO	1	
24	91906-001	NAMEPLATE	1	
31	91998-071523	BAG 0.07 × 150 × 230, PLASTIC	1	
32	91997-240325	BAG 240 × 325, PLASTIC	1	
33	91193-020	LABEL, CLUTCH DANGER	1	No.207525~

